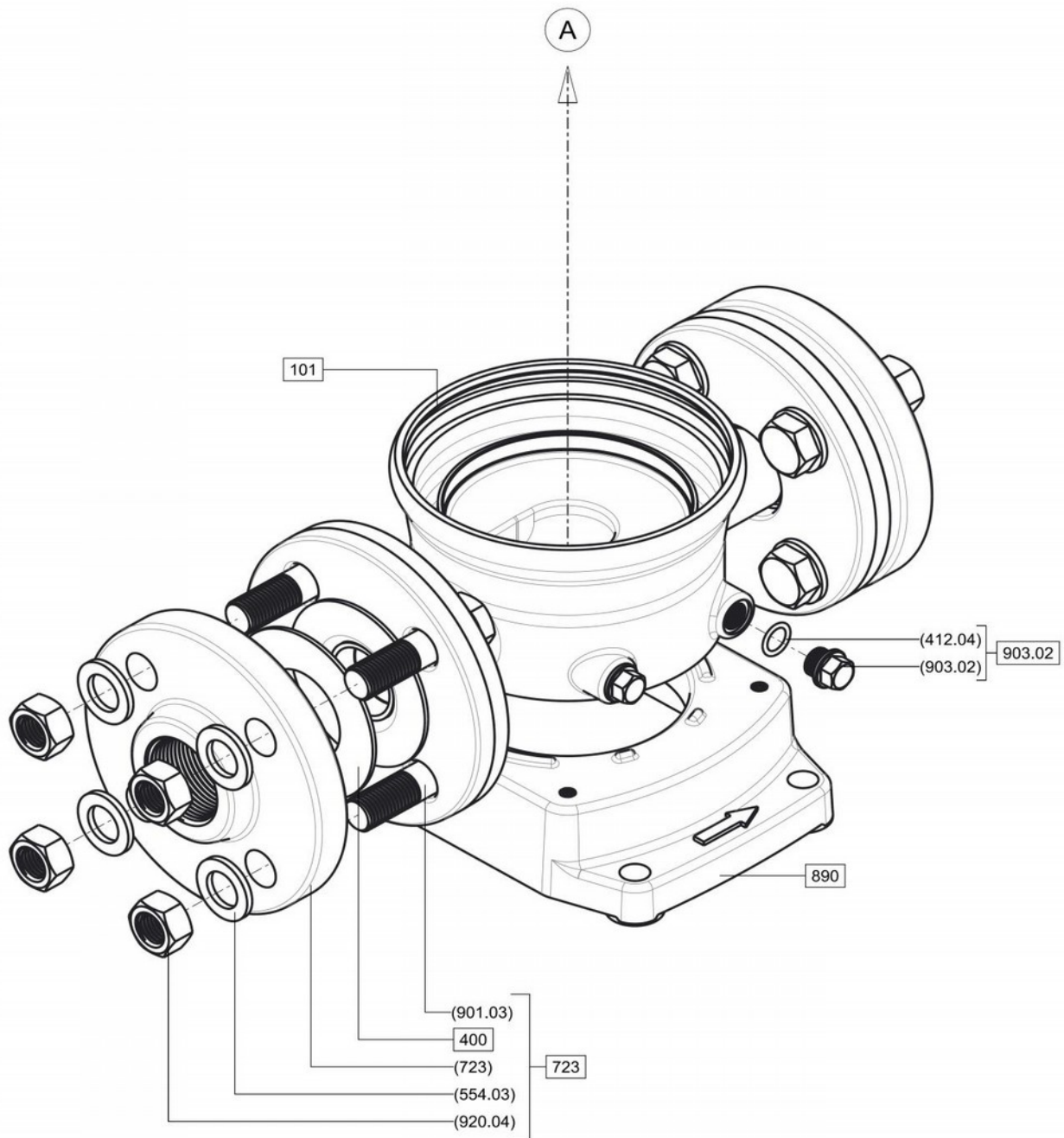




Multi VS Spare Parts



Index	Page No.
Multi VS_F/N 2-4-6 Pump casing	1
Multi VS_F/N 2-4-6 Hydraulics	3
Multi VS_F/N 2-4-6 Hydraulics Assembly	7
Multi VS_F/N 2-4-6 Motor stool-EA	9
Multi VS_F 10-15 Pump casing	11
Multi VS_F 25 Pump casing	13
Multi VS_F/C 40-60 Pump casing	15
Multi VS_F/C 40-60 Hydraulics	17
Multi VS_F/C 40-60 Hydraulic Assembly	19
Multi VS_F/C 40-60 MotorStool EA	21
Multi VS_N 10-15 Pump casing	23
Multi VS_N 10 Hydraulics	25
Multi VS_N 15 Hydraulics	27
Multi VS_N 10-15 Hydraulic Assembly	29
Multi VS_N 10-15 Motor Stool EA	31
Multi VS_N 25 Pump casing	33
Multi VS_N 25 Hydraulics	35
Multi VS_N 25 Hydraulics Assembly	37
Multi VS_N 25 Motor Stool EA	39
Multi VS_N 40-60 Pump casing	41
Multi VS_N 40-60 Hydraulics	43
Multi VS_N 40-60 Hydraulic Assembly	45
Multi VS_N 40-60 MotorStool EA	47
Multi VS_N 85 Pump casing	49
Multi VS_N 85 Hydraulics	51
Multi VS_N 85 Hydraulic Assembly	53
Multi VS_N 85 MotorStool EA	55
Multi VS_N 85 MotorStool Cart.	57
Multi VS_N 85 MotorStool HP-HT	59
Multi VS_C 2-4-6 Pump casing	61
Multi VS_C 10-15 Pump casing	63
Multi VS_C 15 Hydraulics	65
Multi VS_C 10-15 Hydraulic Assembly	67
Multi VS_C 10-15 Motor Stool EA	69
Multi VS_C 25 Pump casing	71
Multi VS_C 25 Hydraulics	73
Multi VS_C 25 Hydraulics Assembly	75
Multi VS_C 25 Motor Stool EA	77
Multi VS_C 85 Pump casing	79
Multi VS_C 85 Hydraulics	81
Multi VS_C 85 Hydraulics Assembly	83
Multi VS_C 85 MotorStool EA	85
Multi VS_C 85 MotorStool Cart.	87
Multi VS_C 85 MotorStool HP-HT	89
Tool kits	91

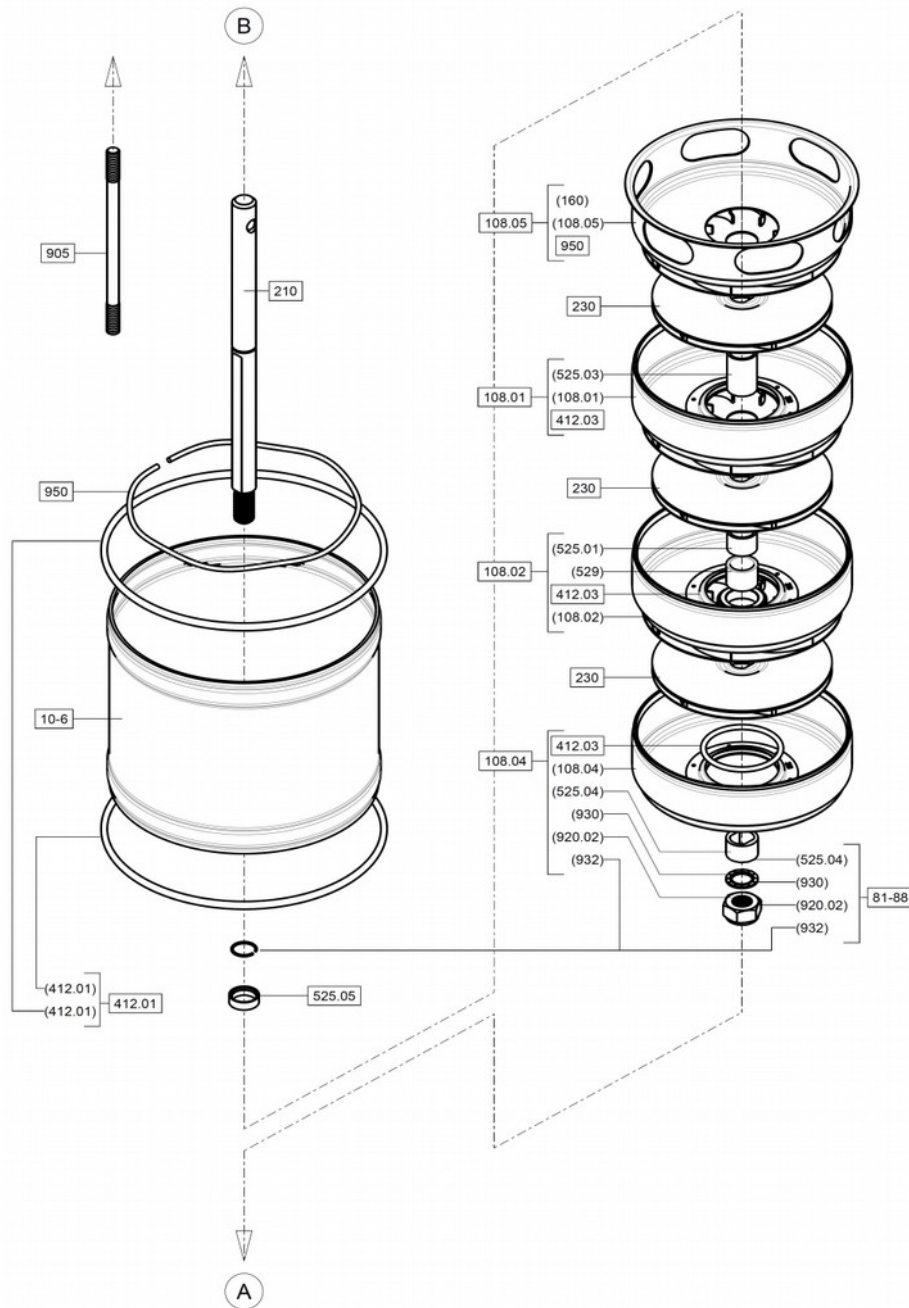


Drawing-no. SP2002304

Multi VS_F/N_ 2-4-6 Pump casing



Pos.nr.	Art.nr.	Component description
101	3613040035	Pump casing~~~~2/4~B~p=PN16/25/40 C=NW25~AISI316/JS1030~~DIN~Pos. 101
	3613040036	Pump casing~~~~2/4~B~p=16K/Class250 C=JIS25/NPS 1~AISI316/JS1030~~JIS/ASME~Pos. 101
	3613040040	Pump casing~~~~2/4~B~p=PN16/25 C=NW25~AISI316/AISI304~~DIN~Pos. 101
	3613060035	Pump casing~~~~2/4/6~B~p=PN16/25/40 NW32/JIS32/NPS5/4~AISI316/JS1030~~DIN/JIS/ASME~Pos. 101
	3613060040	Pump casing~~~~2/4/6~B~p=PN16/25 NW32/JIS32/NPS5/4~AISI316/AISI304~~DIN/JIS/ASME~Pos. 101
400	3618703705	Gasket kit~Round~~~2/4~B~C=NW25~C-4324~~C=NW25~Pos. 400
	3618703706	Gasket kit~Round~~~2/4/6~B~C=NW32~C-4324~~Klingersil~Pos. 400
723	3618703701	Flange kit~counter round~~~2/4~B~C=NW25 x G 1~AISI316~~DIN PN16/25/40~Pos. 723
	3618703702	Flange kit~counter round~~~2/4/6~B~C=NW32 x G 5/4~AISI316~~DIN PN16/25/40~Pos. 723
	3618703741	Flange kit~counter round~2~A~2/4~B~DN 25(4holes) x G 1~ST.37~ELVZ.~EN1092-1 TYPE13 PN16/25/40~Pos. 723
	3618703742	Flange kit~counter round~4~A~2/4/6~B~NW32(4holes) x G 5/4~ST.37~ELVZ.~EN1092-1 TYPE13 PN16/25/40~Pos. 723
890	3618060043	Baseplate~~~~2/4/6~B~L=210 B=145 H=50~JL1040~RAL9011~~Pos. 890
	3618060056	Baseplate~~~~2/4/6~B~L=210 B=145 H=50~AISI304~~~Pos. 890
903.02	3618700001	Screwed plug~Kit~~~2-85~B~C=G 1/4~AISI316/FPM/EPDM/HNBR~(WRAS)~DIN910~Pos. 903.02



Drawing-no. SP2002100

Pos.nr.	Art.nr.	Component description
10-6	3613040342	Pump shroud~2/4-2~B~D=ø136.9 L=52.7 s=1.5~AIS1316~Pos. 10-6
	3613040343	Pump shroud~2/4-3~B~D=ø136.9 L=74.2 s=1.5~AIS1316~Pos. 10-6
	3613040344	Pump shroud~2/4-4~B~D=ø136.9 L=95.7 s=1.5~AIS1316~Pos. 10-6
	3613040345	Pump shroud~2/4-5~B~D=ø136.9 L=117.2 s=1.5~AIS1316~Pos. 10-6
	3613040346	Pump shroud~2/4-6~B~D=ø136.9 L=138.7 s=1.5~AIS1316~Pos. 10-6
	3613040348	Pump shroud~2/4-8~B~D=ø136.9 L=181.7 s=1.5~AIS1316~Pos. 10-6
	3613040349	Pump shroud~2/4-9~B~D=ø136.9 L=203.2 s=1.5~AIS1316~Pos. 10-6
	3613040350	Pump shroud~2/4-10~B~D=ø136.9 L=224.7 s=1.5~AIS1316~Pos. 10-6
	3613040351	Pump shroud~2/4-11~B~D=ø136.9 L=246.2 s=1.5~AIS1316~Pos. 10-6
	3613040352	Pump shroud~2/4-12~B~D=ø136.9 L=267.7 s=1.5~AIS1316~Pos. 10-6
	3613040356	Pump shroud~2/4-16~B~D=ø136.9 L=353.7 s=1.5~AIS1316~Pos. 10-6
	3613040358	Pump shroud~2/4-18~B~D=ø136.9 L=396.7 s=1.5~AIS1316~Pos. 10-6
	3613040360	Pump shroud~2/4-20~B~D=ø136.9 L=439.7 s=1.5~AIS1316~Pos. 10-6
	3613040362	Pump shroud~2/4-22~B~D=ø136.9 L=482.7 s=1.5~AIS1316~Pos. 10-6
	3613040364	Pump shroud~2/4-24~B~D=ø136.9 L=525.7 s=1.5~AIS1316~Pos. 10-6
	3613040366	Pump shroud~2/4-26~B~D=ø136.9 L=568.7 s=1.5~AIS1316~Pos. 10-6
	3613040368	Pump shroud~2/4-28~B~D=ø136.9 L=611.7 s=1.5~AIS1316~Pos. 10-6
	3613040370	Pump shroud~2-30~B~D=ø136.9 L=654.7 s=1.5~AIS1316~Pos. 10-6
	3613060342	Pump shroud~6-2~B~D=ø136.9 L=59.7 s=1.5~AIS1316~Pos. 10-6
	3613060343	Pump shroud~6-3~B~D=ø136.9 L=84.7 s=1.5~AIS1316~Pos. 10-6
	3613060344	Pump shroud~6-4~B~D=ø136.9 L=109.7 s=1.5~AIS1316~Pos. 10-6
	3613060345	Pump shroud~6-5~B~D=ø136.9 L=134.7 s=1.5~AIS1316~Pos. 10-6
	3613060346	Pump shroud~2/4-7 / VS6-6~B~D=ø136.9 L=160 s=1.5~AIS1316~Pos. 10-6
	3613060347	Pump shroud~6-7~B~D=ø136.9 L=184.7 s=1.5~AIS1316~Pos. 10-6
	3613060348	Pump shroud~6-8~B~D=ø136.9 L=209.7 s=1.5~AIS1316~Pos. 10-6
	3613060349	Pump shroud~6-9~B~D=ø136.9 L=234.7 s=1.5~AIS1316~Pos. 10-6
	3613060350	Pump shroud~6-10~B~D=ø136.9 L=259.7 s=1.5~AIS1316~Pos. 10-6
	3613060351	Pump shroud~6-11~B~D=ø136.9 L=284.7 s=1.5~AIS1316~Pos. 10-6
	3613060352	Pump shroud~2/4-14 / VS6-12~B~D=ø136.9 L=310.2 s=1.5~AIS1316~Pos. 10-6
	3613060354	Pump shroud~6-14~B~D=ø136.9 L=359.7 s=1.5~AIS1316~Pos. 10-6
	3613060356	Pump shroud~6-16~B~D=ø136.9 L=409.7 s=1.5~AIS1316~Pos. 10-6
	3613060358	Pump shroud~6-18~B~D=ø136.9 L=459.7 s=1.5~AIS1316~Pos. 10-6
	3613060360	Pump shroud~6-20~B~D=ø136.9 L=509.7 s=1.5~AIS1316~Pos. 10-6
	3613060362	Pump shroud~6-22~B~D=ø136.9 L=559.7 s=1.5~AIS1316~Pos. 10-6
3613060364	Pump shroud~6-24~B~D=ø136.9 L=609.7 s=1.5~AIS1316~Pos. 10-6	
3613060366	Pump shroud~6-26~B~D=ø136.9 L=659.7 s=1.5~AIS1316~Pos. 10-6	
108.01	3618709049	Stage casing~Kit~2/4~B~AIS1316/FPM/EPDM/HNBR~(WRAS/NSF)~ Revision kit~Pos. 108.01
	3618709050	Stage casing~Kit~6~B~AIS1316/FPM/EPDM/HNBR~(WRAS/NSF)~ Revision kit~Pos. 108.01
108.02	3618709046	Stage casing~With bearing - kit~2/4~B~AIS1316/FPM/EPDM/HNBR~ (WRAS/NSF)~Revision kit~Pos. 108.02
	3618709048	Stage casing~with bearing - kit~6~B~AIS1316/FPM/EPDM/HNBR~ (WRAS/NSF)~Revision kit~Pos. 108.02
108.04	3618709051	Stage casing~bottom - kit~2/4~B~AIS1316/FPM/EPDM/HNBR~ (WRAS/NSF)~Revision kit~Pos. 108.04
	3618709052	Stage casing~bottom - kit~6~B~AIS1316/FPM/EPDM/HNBR~(WRAS/NSF)~Revision kit~Pos. 108.04
108.05	3618709031	Stage casing~upper - kit Fixed~2/4~B~AIS1316~Revision kit~Pos. 108.05
	3618709032	Stage casing~upper - kit EA/Cartridge~2/4~B~AIS1316~Revision kit~Pos. 108.05
	3618709033	Stage casing~upper - kit Fixed~6~B~AIS1316~Revision kit~Pos. 108.05
	3618709034	Stage casing~upper - kit EA/Cartridge~6~B~AIS1316~Revision kit~Pos. 108.05

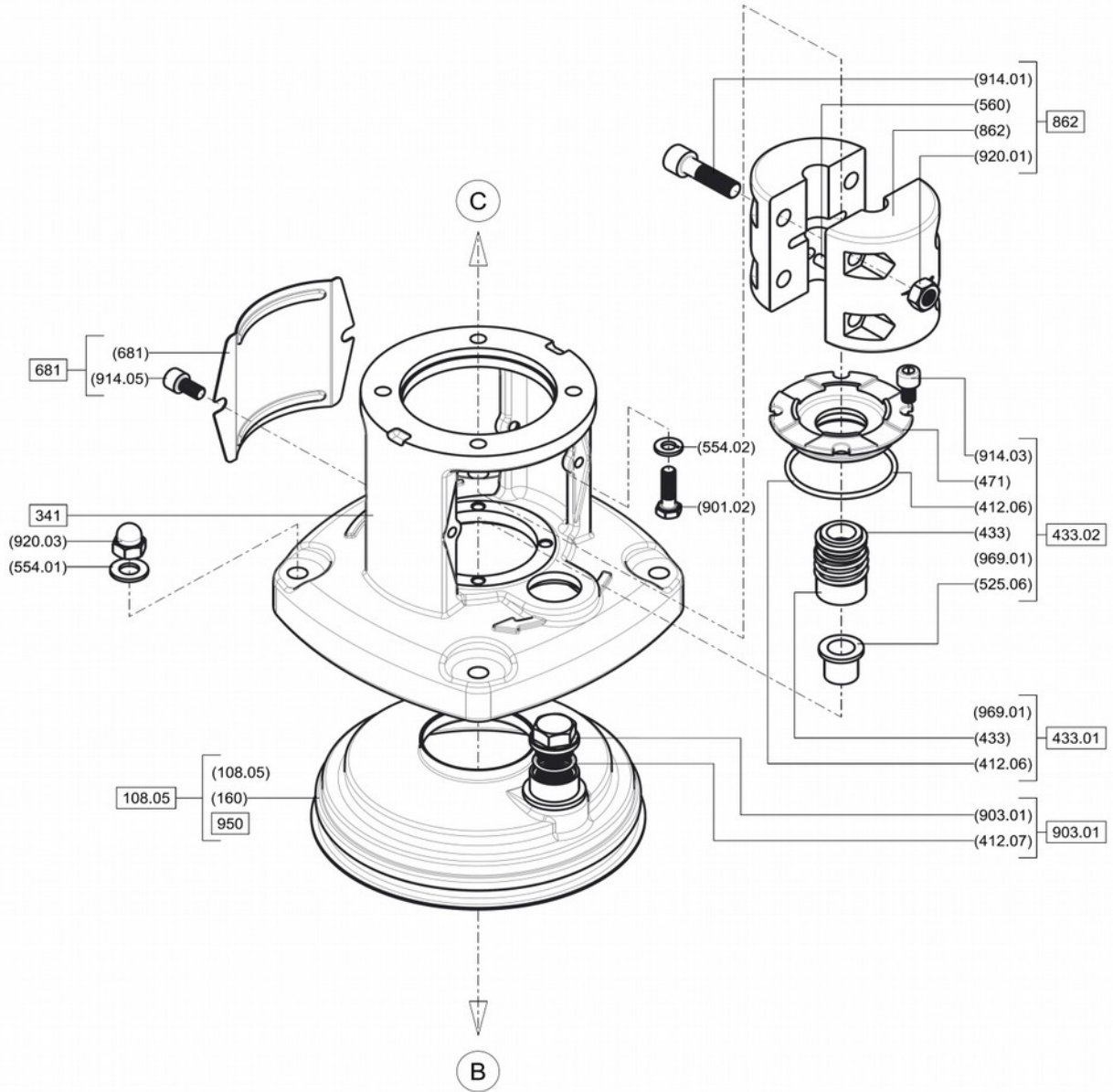
MULTI VS_F/N 2-4-6 Hydraulic Assembly



3618732202	Hydraulic assembly kit~4/2~B~D=ø117 L=152~AIS1316/FPM~50/60Hz 2P~Pos. 200
3618732203	Hydraulic assembly kit~4/3~B~D=ø117 L=173.5~AIS1316/FPM~50/60Hz 2P~Pos. 200
3618732204	Hydraulic assembly kit~4/4~B~D=ø117 L=195~AIS1316/FPM~50/60Hz 2P~Pos. 200
3618732205	Hydraulic assembly kit~4/5~B~D=ø117 L=216.5~AIS1316/FPM~50/60Hz 2P~Pos. 200
3618732206	Hydraulic assembly kit~4/6~B~D=ø117 L=238~AIS1316/FPM~50/60Hz 2P~Pos. 200
3618732207	Hydraulic assembly kit~4/7~B~D=ø117 L=261~AIS1316/FPM~50/60Hz 2P~Pos. 200
3618732208	Hydraulic assembly kit~4/8~B~D=ø117 L=284~AIS1316/FPM~50/60Hz 2P~Pos. 200
3618732209	Hydraulic assembly kit~4/9~B~D=ø117 L=302.5~AIS1316/FPM~50/60Hz 2P~Pos. 200
3618732210	Hydraulic assembly kit~4/10~B~D=ø117 L=324~AIS1316/FPM~50/60Hz 2P~Pos. 200
3618732211	Hydraulic assembly kit~4/11~B~D=ø117 L=345.5~AIS1316/FPM~50/60Hz 2P~Pos. 200
3618732212	Hydraulic assembly kit~4/12~B~D=ø117 L=367~AIS1316/FPM~50/60Hz 2P~Pos. 200
3618732214	Hydraulic assembly kit~4/14~B~D=ø117 L=311~AIS1316/FPM~50/60Hz 2P~Pos. 200
3618732216	Hydraulic assembly kit~4/16~B~D=ø117 L=453~AIS1316/FPM~50/60Hz 2P~Pos. 200
3618732218	Hydraulic assembly kit~4/18~B~D=ø117 L=496~AIS1316/FPM~50/60Hz 2P~Pos. 200
3618732220	Hydraulic assembly kit~4/20~B~D=ø117 L=539~AIS1316/FPM~50Hz 2P~Pos. 200
3618732222	Hydraulic assembly kit~4/22~B~D=ø117 L=582~AIS1316/FPM~50Hz 2P~Pos. 200
3618732224	Hydraulic assembly kit~4/24~B~D=ø117 L=625~AIS1316/FPM~50Hz 2P~Pos. 200
3618732226	Hydraulic assembly kit~4/26~B~D=ø117 L=668~AIS1316/FPM~50Hz 2P~Pos. 200

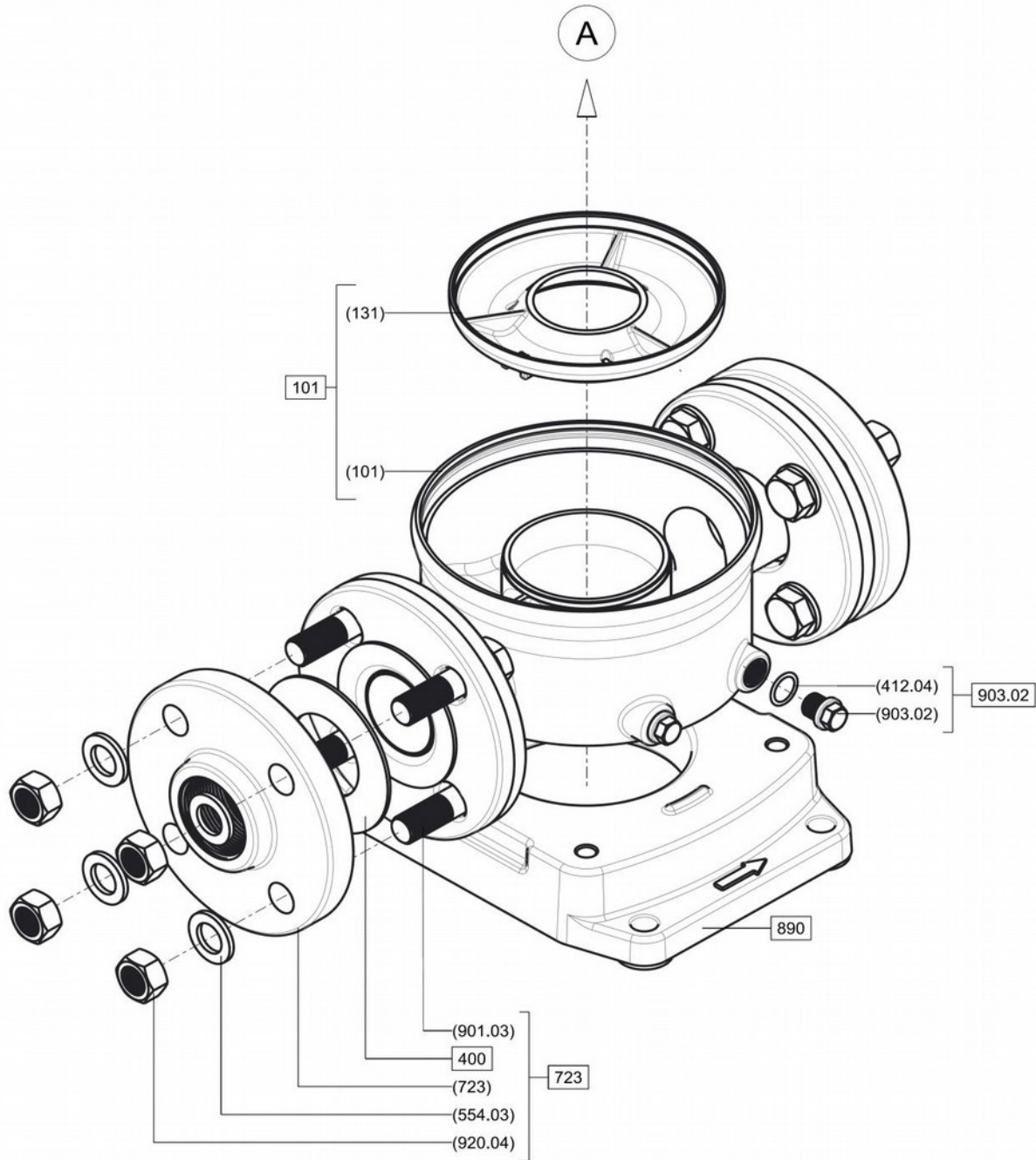
MULTI VS N 6 Hydraulic Assembly

Pos.nr.	Art.nr.	Kit description
200	3618733101	Hydraulic assembly kit~6/1~B~D=ø117 L=157~AIS1316/EPDM WRAS~50/60Hz 2P~Pos. 200
	3618733102	Hydraulic assembly kit~6/2~B~D=ø117 L=157~AIS1316/EPDM WRAS~50/60Hz 2P~Pos. 200
	3618733103	Hydraulic assembly kit~6/3~B~D=ø117 L=182~AIS1316/EPDM WRAS~50/60Hz 2P~Pos. 200
	3618733104	Hydraulic assembly kit~6/4~B~D=ø117 L=207~AIS1316/EPDM WRAS~50/60Hz 2P~Pos. 200
	3618733105	Hydraulic assembly kit~6/5~B~D=ø117 L=232~AIS1316/EPDM WRAS~50/60Hz 2P~Pos. 200
	3618733106	Hydraulic assembly kit~6/6~B~D=ø117 L=258~AIS1316/EPDM WRAS~50/60Hz 2P~Pos. 200
	3618733107	Hydraulic assembly kit~6/7~B~D=ø117 L=281~AIS1316/EPDM WRAS~50/60Hz 2P~Pos. 200
	3618733108	Hydraulic assembly kit~6/8~B~D=ø117 L=307~AIS1316/EPDM WRAS~50/60Hz 2P~Pos. 200
	3618733109	Hydraulic assembly kit~6/9~B~D=ø117 L=332~AIS1316/EPDM WRAS~50/60Hz 2P~Pos. 200
	3618733110	Hydraulic assembly kit~6/10~B~D=ø117 L=357~AIS1316/EPDM WRAS~50/60Hz 2P~Pos. 200
	3618733111	Hydraulic assembly kit~6/11~B~D=ø117 L=382~AIS1316/EPDM WRAS~50/60Hz 2P~Pos. 200
	3618733112	Hydraulic assembly kit~6/12~B~D=ø117 L=408~AIS1316/EPDM WRAS~50/60Hz 2P~Pos. 200
	3618733114	Hydraulic assembly kit~6/14~B~D=ø117 L=457~AIS1316/EPDM WRAS~50/60Hz 2P~Pos. 200
	3618733116	Hydraulic assembly kit~6/16~B~D=ø117 L=507~AIS1316/EPDM WRAS~50/60Hz 2P~Pos. 200
	3618733118	Hydraulic assembly kit~6/18~B~D=ø117 L=557~AIS1316/EPDM WRAS~50/60Hz 2P~Pos. 200
	3618733120	Hydraulic assembly kit~6/20~B~D=ø117 L=607~AIS1316/EPDM WRAS~50Hz 2P~Pos. 200
	3618733122	Hydraulic assembly kit~6/22~B~D=ø117 L=657~AIS1316/EPDM WRAS~50Hz 2P~Pos. 200
	3618733124	Hydraulic assembly kit~6/24~B~D=ø117 L=709~AIS1316/EPDM WRAS~50Hz 2P~Pos. 200
	3618733126	Hydraulic assembly kit~6/26~B~D=ø117 L=757~AIS1316/EPDM WRAS~50Hz 2P~Pos. 200
	3618733201	Hydraulic assembly kit~6/1~B~D=ø117 L=157~AIS1316/FPM~50/60Hz 2P~Pos. 200
	3618733202	Hydraulic assembly kit~6/2~B~D=ø117 L=157~AIS1316/FPM~50/60Hz 2P~Pos. 200
	3618733203	Hydraulic assembly kit~6/3~B~D=ø117 L=182~AIS1316/FPM~50/60Hz 2P~Pos. 200
	3618733204	Hydraulic assembly kit~6/4~B~D=ø117 L=207~AIS1316/FPM~50/60Hz 2P~Pos. 200
	3618733205	Hydraulic assembly kit~6/5~B~D=ø117 L=232~AIS1316/FPM~50/60Hz 2P~Pos. 200
	3618733206	Hydraulic assembly kit~6/6~B~D=ø117 L=258~AIS1316/FPM~50/60Hz 2P~Pos. 200
	3618733207	Hydraulic assembly kit~6/7~B~D=ø117 L=281~AIS1316/FPM~50/60Hz 2P~Pos. 200
	3618733208	Hydraulic assembly kit~6/8~B~D=ø117 L=307~AIS1316/FPM~50/60Hz 2P~Pos. 200
	3618733209	Hydraulic assembly kit~6/9~B~D=ø117 L=332~AIS1316/FPM~50/60Hz 2P~Pos. 200
	3618733210	Hydraulic assembly kit~6/10~B~D=ø117 L=357~AIS1316/FPM~50/60Hz 2P~Pos. 200
	3618733211	Hydraulic assembly kit~6/11~B~D=ø117 L=382~AIS1316/FPM~50/60Hz 2P~Pos. 200
	3618733212	Hydraulic assembly kit~6/12~B~D=ø117 L=408~AIS1316/FPM~50/60Hz 2P~Pos. 200
	3618733214	Hydraulic assembly kit~6/14~B~D=ø117 L=457~AIS1316/FPM~50/60Hz 2P~Pos. 200
	3618733216	Hydraulic assembly kit~6/16~B~D=ø117 L=507~AIS1316/FPM~50/60Hz 2P~Pos. 200
	3618733218	Hydraulic assembly kit~6/18~B~D=ø117 L=557~AIS1316/FPM~50/60Hz 2P~Pos. 200
	3618733220	Hydraulic assembly kit~6/20~B~D=ø117 L=607~AIS1316/FPM~50Hz 2P~Pos. 200
	3618733222	Hydraulic assembly kit~6/22~B~D=ø117 L=657~AIS1316/FPM~50Hz 2P~Pos. 200
	3618733224	Hydraulic assembly kit~6/24~B~D=ø117 L=709~AIS1316/FPM~50Hz 2P~Pos. 200
	3618733226	Hydraulic assembly kit~6/26~B~D=ø117 L=757~AIS1316/FPM~50Hz 2P~Pos. 200



Drawing-no. SP2002220

Pos.nr.	Art.nr.	Component description
108.05	3618709032	Stage casing-upper - kit EA/Cartridge~~~2/4~B~~AISI316~~Revision kit~Pos. 108.05
	3618709034	Stage casing-upper - kit EA/Cartridge~~~6~B~~AISI316~~Revision kit~Pos. 108.05
341	3618060021	Motor stool~~~2/4/6~B~Stc.85~JL1040~RAL5002~Frame 71~Pos. 341
	3618060022	Motor stool~~~2/4/6~B~Stc.100~JL1040~RAL5002~Frame 80~Pos. 341
	3618060023	Motor stool~~~2/4/6~B~Stc.115~JL1040~RAL5002~Frame 90~Pos. 341
	3618060024	Motor stool~~~2/4/6~B~Stc.130~JL1040~RAL5002~Frame 100/112~Pos. 341
	3618060029	Motor stool~~~2/4/6~B~Stc.265 (max. 7.5kW)~JS1030~RAL5002~Frame 132~Pos. 341
	3618060028	Motor stool~NEMA~~~2/4/6~B~Stc.149.2 (up to 2hp)~JL1040~RAL5002~~Pos. 341
	3618060095	Motor stool~NEMA~~~2/4/6~B~Stc.184.2 (3-5hp)~JS1030~RAL5002~~Pos. 341
433.01	3618720153	Mechanical seal~Revision kit~~~2/4/6~B~~d=ø12~Easy access~13~RMG12-G606~SiC~Ca~EPDM WRAS~PN25~~EPDM WRAS/ACS/NSF~-20/+100°C~Pos. 433.01
	3618720183	Mechanical seal~Revision kit~~~2/4/6~B~~d=ø12~Easy access~14~RMG12-G606~Q1 B V GG~SiC~Ca~FPM~PN25~~FPM~-20/+120°C~Pos. 433.01
	3618720176	Mechanical seal~Revision kit~~~2/4/6~B~~d=ø12~Easy access~15~RMG12-G606~TuC~TuC~HNBR~PN25(PN16)~~HNBR~-20/+120(140)°C~Pos. 433.01
	3618720177	Mechanical seal~Revision kit~~~2/4/6~B~~d=ø12~Easy access~16~RMG12-G606~TuC~TuC~FPM~PN25(PN16)~~FPM~-20/+120(140)°C~Pos. 433.01
	3618720188	Mechanical seal~Revision kit~~~2/4/6~B~~d=ø12~Easy access~18~RMG12-G606~TuC~Ca~EPDM~PN25(PN16)~~EPDM 559236 (SPECIAL)~-20/+120(140)°C~Pos. 433.01
	3618720181	Mechanical seal~Revision Kit~~~2/4/6~B~~d=ø12~Easy access~24~MG12-G60~SiC~SiC~FPM~PN10~~FPM~-20/+120°C~Pos. 433.01
	433.02	3618720253
3618720283		Mechanical seal~Kit complete~~~2/4/6~B~~d=ø12~Easy access~14~RMG12-G606~SiC~Ca~FPM~PN25~AISI316~FPM~-20/+120°C~Pos. 433.02
3618720276		Mechanical seal~Kit complete~~~2/4/6~B~~d=ø12~Easy access~15~RMG12-G606~TuC~TuC~HNBR~PN25(PN16)~AISI316~HNBR~-20/+120(140)°C~Pos. 433.02
3618720277		Mechanical seal~Kit complete~~~2/4/6~B~~d=ø12~Easy access~16~RMG12-G606~TuC~TuC~FPM~PN25(PN16)~AISI316~FPM~-20/+120(140)°C~Pos. 433.02
3618720288		Mechanical seal~Kit complete~~~2/4/6~B~~d=ø12~Easy access~18~RMG12-G606~TuC~Ca~EPDM~PN25(PN16)~AISI316~EPDM 559236 (SPECIAL)~-20/+120(140)°C~Pos. 433.02
3618720281		Mechanical seal~Kit complete~~~2/4/6~B~~d=ø12~Easy access~24~MG12-G60~SiC~SiC~FPM~PN10~AISI316~FPM~-20/+120°C~Pos. 433.02
681	3618700411	Coupling guard~Kit~~~2-15~B~Stc.85/100~AISI304~~~Pos. 681
	3618700412	Coupling guard~Kit~~~2-15~B~Stc.115/130~AISI304~~~Pos. 681
	3618700415	Coupling guard~Kit~~~2-15~B~Stc.265/149.2(7.5-30hp)~AISI304~~~Pos. 681
	3618700417	Coupling guard~Kit~~~2/4/6~B~Stc.149.2(up to 5hp)~AISI304~~~Pos. 681
862	3618702011	Coupling~Kit~~~2/4/6~B~d=ø12 D=ø14~Aluminium~~~Pos. 862
	3618702012	Coupling~Kit~~~2/4/6~B~d=ø12 D=ø19~Aluminium~~~Pos. 862
	3618702013	Coupling~Kit~~~2/4/6~B~d=ø12 D=ø24~Aluminium~~~Pos. 862
	3618702014	Coupling~Kit~~~2/4/6~B~d=ø12 D=ø28~Aluminium~~~Pos. 862
	3618702015	Coupling~Kit~~~2/4/6~B~d=ø12 D=ø38~JS1030~~~Pos. 862
	3618702016	Coupling~Kit~~~2/4/6~B~d=ø12 D=ø15.9~Aluminium~~~Pos. 862
	3618702017	Coupling~Kit~~~2/4/6~B~d=ø12 D=ø22.2~Aluminium~~~Pos. 862
	3618702018	Coupling~Kit~~~2/4/6~B~d=ø12 D=ø28.6~Aluminium~~~Pos. 862
3618702019	Coupling~Kit~~~2/4/6~B~d=ø12 D=ø34.9~JS1030~~~Pos. 862	
903.01	3618700004	Screwed plug~Kit~~~2-85~B~C=G 3/8~AISI316/FPM/EPDM/HNBR~(WRAS)~DIN910~Pos. 903.01
950	3613060013	Wave spring~~~2/4/6~B~d=ø124 T=2.48~AISI316~~~Pos. 950

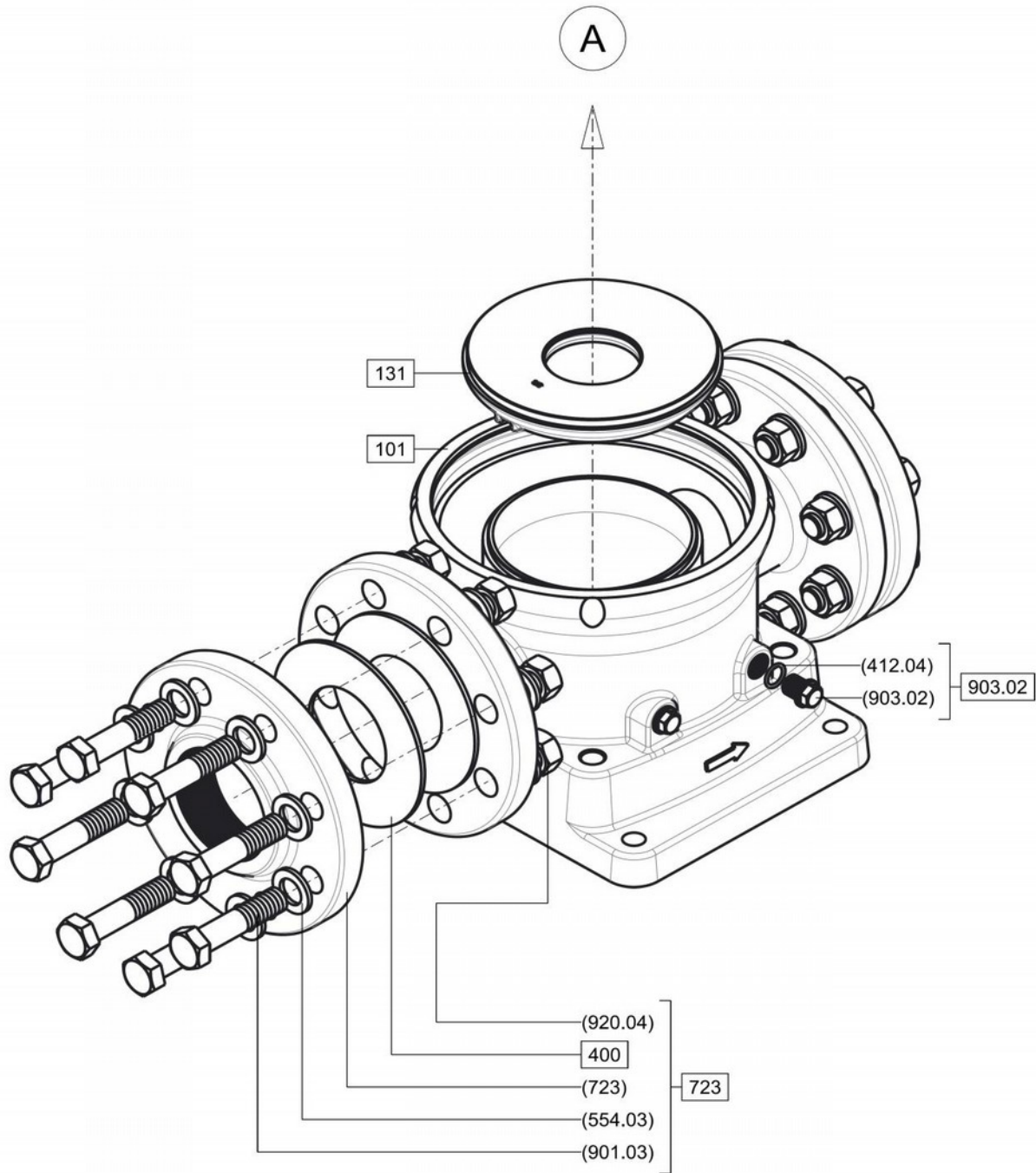


Drawing-no. SP2010304

MULTI VS_F 10-15 Pump casing



Pos.nr.	Art.nr.	Component description
101	3618703305	Pump casing~Kit~10~B~p=PN16/25/40 / 16K C=NW40~AISI316/JS1030~DIN/JIS~Pos. 101
	3618703306	Pump casing~Kit~10~B~p=Class250 C=NPS 6/4~AISI316/JS1030~ASME~Pos. 101
	3618703307	Pump casing~Kit~10~B~p=PN16/25/40 C=NW40~AISI316/AISI304~DIN~Pos. 101
	3618703308	Pump casing~Kit~10/15~B~p=PN16/25/40 C=NW50~AISI316/JS1030~DIN~Pos. 101
	3618703309	Pump casing~Kit~10/15~B~p=16K/Class250 C=NPS 2~AISI316/JS1030~JIS/ASME~Pos. 101
3618703310	Pump casing~Kit~10/15~B~p=PN16/25/40 C=NW50~AISI316/AISI304~DIN~Pos. 101	
400	3618703715	Gasket kit~Round~F10~B~C=NW40~C-4324~Klingersil~Pos. 400
	3618703716	Gasket kit~Round~10/15~B~C=NW50~C-4324~Klingersil~Pos. 400
723	3618703711	Flange kit~Counter round~10~B~C=NW40 x G 6/4~AISI316~DIN PN16/25/40~Pos. 723
	3618703712	Flange kit~Counter round~10/15~B~C=NW50 x G 2~AISI316~DIN PN16~Pos. 723
	3618703743	Flange kit~counter round~10~A~10~B~NW40(4holes) x G 6/4~ST.37~ELVZ.~EN1092-1 TYPE13 PN16/25/40~Pos. 723
	3618703744	Flange kit~counter round~18~A~10/15~B~NW50(4holes) x G 2~ST.37~ELVZ.~EN1092-1 TYPE13 PN16~Pos. 723
	3618703745	Flange kit~counter round~10/15~B~NW50(4 holes) x G 2~AISI304~EN1092-1 TYPE13 PN25/40~Pos. 723
890	3618100046	Baseplate~10+N 15~B~L=247 B=184 H=51~JL1040~RAL9011~Pos. 890
	3618100055	Baseplate~10+N 15~B~L=247 B=184 H=51~AISI304~Pos. 890
	3618150043	Baseplate~15~B~L=247 B=184 H=61~JL1040~RAL9011~Pos. 890
	3618150056	Baseplate~15~B~L=247 B=184 H=61~AISI304~Pos. 890
903.02	3618700001	Screwed plug~Kit~2-85~B~C=G 1/4~AISI316/FPM/EPDM/HNBR~(WRAS)~DIN910~Pos. 903.02

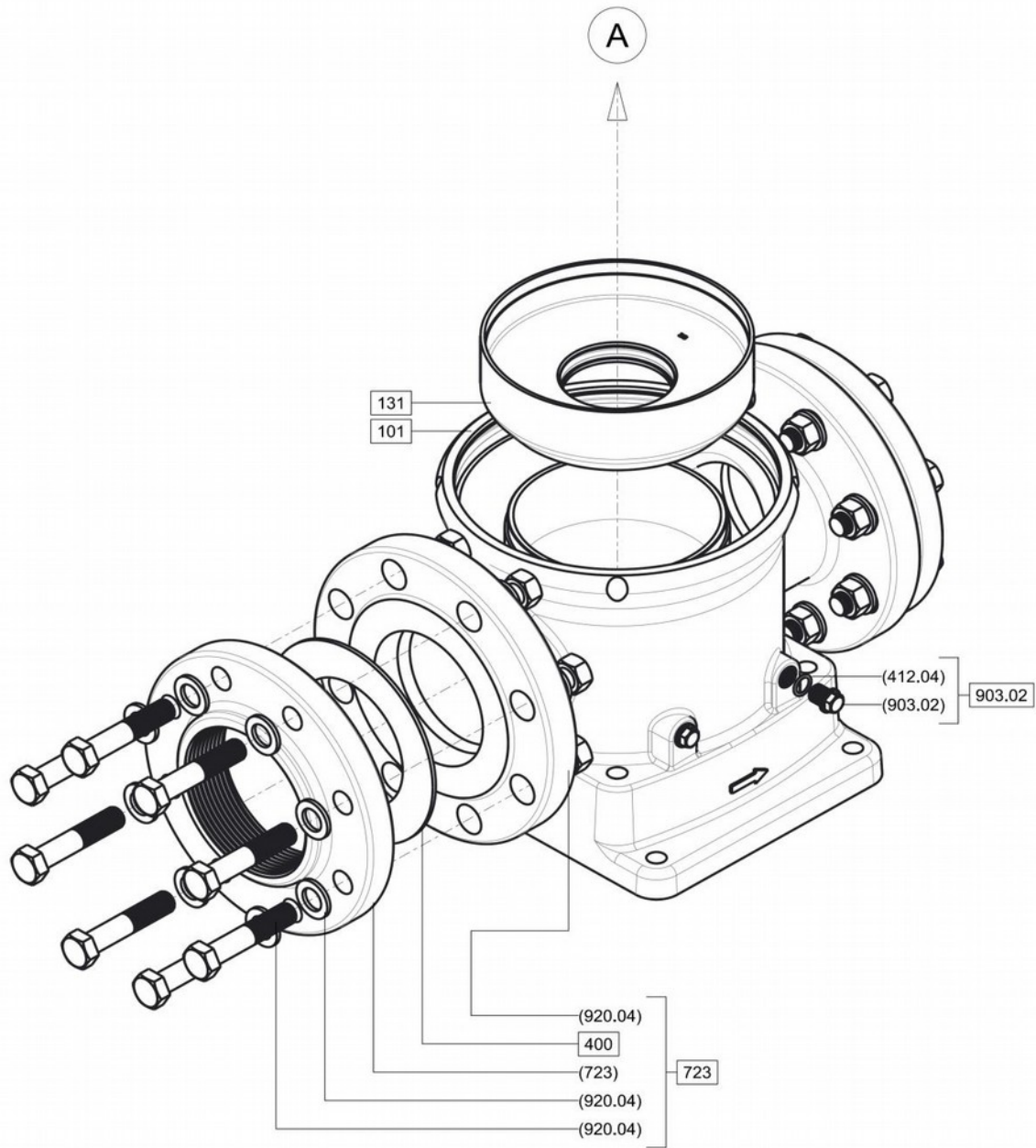


Drawing-no. SP2025303

MULTI VS_F 25 Pump casing



Pos.nr.	Art.nr.	Component description
101	3618250041	Pump casing~25~B~p=PN25/40 C=NW65~JS1030~RAL9011~DIN~Pos. 101
131	3613250090	Inletring~25~B~D=ø155 H=22~AIS1316~Pos. 131
400	3618703717	Gasket kit~Round~25/40~B~C=NW65~C-4324~Klingersil~Pos. 400
723	3618703720	Flange kit~Counter round~25~B~NW65 x G 5/2~AIS1316~DIN PN16~Pos. 723
	3618703721	Flange kit~counter round~25~B~NW65xG 5/2 BI~AIS1316~DIN PN25/40~Pos. 723
	3618703747	Flange kit~counter round~25~B~NW65(8holes)xG 5/2~ST.37~ELVZ.~EN1092-1 TYPE13 PN16~Pos. 723
	3618703748	Flange kit~counter round~25~B~NW65(8 holes) x G 5/2~AIS1304~EN1092-1 TYPE13 PN25/40~Pos. 723
903.02	3618700001	Screwed plug~Kit~2-85~B~C=G 1/4~AIS1316/FPM/EPDM/HNBR~(WRAS)~DIN910~Pos. 903.02

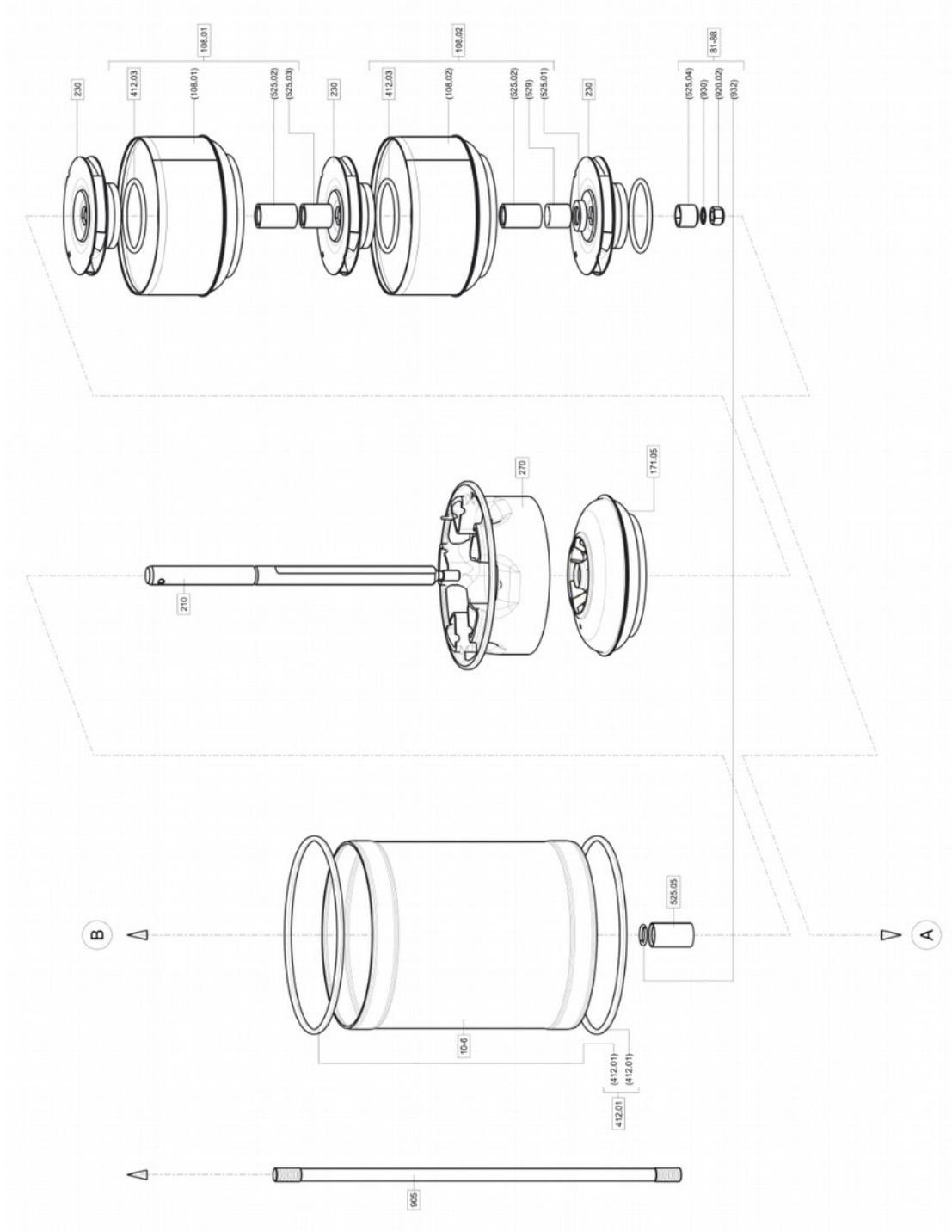


Drawing-no. SP2040303

MULTI VS_F/C 40-60 Pump casing



Pos.nr.	Art.nr.	Component description
101	3618400039	Pump casing~40~B~p=PN16~40 C=NW80~JS1030~RAL9011~DIN~Pos. 101
	3618400041	Pump casing~40~B~p=PN16/25 C=NW65 (SPEC)~JS1030~RAL9011~DIN~Pos. 101
	3618600038	Pump casing~40/60~B~p=PN16 C=NW100~JS1030~RAL9011~DIN~Pos. 101
	3618600039	Pump casing~40/60~B~p=PN25/40 C=NW100~JS1030~RAL9011~DIN~Pos. 101
131	3613400090	Inletring~40~B~D=ø189 H=57~AIS1316~Pos. 131
	3613600090	Inletring~60~B~D=ø190 H=57~AIS1316~Pos. 131
400	3618703730	Gasket kit~Round~40~85~B~C-4324~Klingersil~Pos. 400
	3618703731	Gasket kit~Round~40~B~C=NW80~C-4324~Klingersil~Pos. 400
723	3618703723	Flange kit~counter round~40~B~NW80 x G 3 BI~AIS1316~EN1092-1 TYPE13 PN16~Pos. 723
	3618703724	Flange kit~counter round~40~B~NW80 x G 3 BI~AIS1316~EN1092-1 TYPE13 PN25/40~Pos. 723
	3618703728	Flange kit~counter round~40~85~B~NW100 x G 4 BI~AIS1316~EN1092-1 TYPE13 PN25/40~Pos. 723
	3618703729	Flange kit~counter round~40~85~B~NW100 x G 4 BI~AIS1316~EN1092-1 TYPE13 PN16~Pos. 723
	3618703750	Flange kit~counter round~40~B~NW65 x G 5/2 BI (SPECIAL)~ST.37~ELVZ.~Pos. 723
	3618703751	Flange kit~counter round~40~B~NW80(8 holes) x G 3~AIS1304~EN1092-1 TYPE13 PN25/40~Pos. 723
	3618703752	Flange kit~counter round~65~A~60/85~B~NW100(8holes) x G 4~ST.37~ELVZ.~EN1092-1 TYPE13 PN16~Pos. 723
	3618703753	Flange kit~counter round~60~85~B~NW100(8 holes) x G 4~AIS1304~EN1092-1 TYPE13 PN25/40~Pos. 723
903.02	3618700001	Screwed plug~Kit~2~85~B~C=G 1/4~AIS1316/FPM/EPDM/HNBR~(WRAS)~DIN910~Pos. 903.02



Drawing-no. SP2040100

Pos.nr.	Art.nr.	Component description
10-6	3613600341	Pump shroud~40/60-1~B~D=ø220.3 L=110 s=1.0~AISI316~PN16~Pos. 10-6
	3613600342	Pump shroud~40/60-2~B~D=ø220.3 L=188 s=1.0~AISI316~PN16~Pos. 10-6
	3613600343	Pump shroud~40/60-3~B~D=ø220.3 L=266 s=1.0~AISI316~PN16~Pos. 10-6
	3613600344	Pump shroud~40/60-4~B~D=ø220.3 L=344 s=1.0~AISI316~PN16~Pos. 10-6
	3613600345	Pump shroud~40/60-5~B~D=ø220.3 L=422 s=1.0~AISI316~PN16~Pos. 10-6
	3613600346	Pump shroud~40/60-6~B~D=ø220.3 L=500 s=1.0~AISI316~PN16~Pos. 10-6
	3613602341	Pump shroud~40/60-1~B~D=ø220.3 L=110 s=2.5~AISI316~PN40~Pos. 10-6
	3613602342	Pump shroud~40/60-2~B~D=ø220.3 L=188 s=2.5~AISI316~PN40~Pos. 10-6
	3613602343	Pump shroud~40/60-3~B~D=ø220.3 L=266 s=2.5~AISI316~PN40~Pos. 10-6
	3613602344	Pump shroud~40/60-4~B~D=ø220.3 L=344 s=2.5~AISI316~PN40~Pos. 10-6
	3613602345	Pump shroud~40/60-5~B~D=ø220.3 L=422 s=2.5~AISI316~PN40~Pos. 10-6
	3613602346	Pump shroud~40/60-6~B~D=ø220.3 L=500 s=2.5~AISI316~PN40~Pos. 10-6
	3613602347	Pump shroud~40/60-7~B~D=ø220.3 L=578 s=2.5~AISI316~PN40~Pos. 10-6
	3613602348	Pump shroud~40/60-8~B~D=ø220.3 L=656 s=2.5~AISI316~PN40~Pos. 10-6
	3613602349	Pump shroud~40/60-9~B~D=ø220.3 L=734 s=2.5~AISI316~PN40~Pos. 10-6
3613602350	Pump shroud~40/60-10~B~D=ø220.3 L=812 s=2.5~AISI316~PN40~Pos. 10-6	
108.01	3618709068	Stage casing~Kit~40~B~AISI316/FPM/EPDM/HNBR~(WRAS/NSF)~Pos. 108.01
	3618709087	Stage casing~kit~60~B~AISI316/FPM/EPDM/HNBR~(WRAS/NSF)~Revision kit~Pos. 108.01
108.02	3618709067	Stage casing~with bearing - kit~40~B~AISI316/FPM/EPDM/HNBR~(WRAS/NSF)~Pos. 108.02
	3618709069	Stage casing~with bearing - kit~60~B~AISI316/FPM/EPDM/HNBR~(WRAS/NSF)~Pos. 108.02
171.05	3618400291	Diffuser~Upper~40~B~D=ø190 H=62.2~AISI304~Pos. 171.05
	3618600291	Diffuser~Upper~60~B~D=ø190 H=61~AISI304~Pos. 171.05
210	3613600561	Shaft~40/60-1~B~D=ø22 L=213~AISI329~Pos. 210
	3613600562	Shaft~40/60-2~B~D=ø22 L=291~AISI329~Pos. 210
	3613600563	Shaft~40/60-3~B~D=ø22 L=369~AISI329~Pos. 210
	3613600564	Shaft~40/60-4~B~D=ø22 L=447~AISI329~Pos. 210
	3613600565	Shaft~40/60-5~B~D=ø22 L=525~AISI329~Pos. 210
	3613600566	Shaft~40/60-6~B~D=ø22 L=603~AISI329~Pos. 210
	3613600567	Shaft~40/60-7~B~D=ø22 L=681~AISI329~Pos. 210
	3613600568	Shaft~40/60-8~B~D=ø22 L=759~AISI329~Pos. 210
	3613600569	Shaft~40/60-9~B~D=ø22 L=837~AISI329~Pos. 210
	3613600570	Shaft~40/60-10~B~D=ø22 L=915~AISI329~Pos. 210
230.01	3613400300	Impeller~40~B~D=ø137.3 H=35.7~AISI316~Pos. 230.01
	3613600300	Impeller~60~B~D=ø140.5 H=39.2~AISI316~Pos. 230.01
230.02	3613400301	Impeller~Reduced head~40~B~D=ø137 H=35.7~AISI316~Pos. 230.02
	3613600301	Impeller~Reduced head~60~B~D=ø140.5 H=39.2~AISI316~Pos. 230.02
270	3613600292	Deflector~Crown~40/60~B~D=ø222.3 H=81.2~AISI316~Pos. 270
412.01	3618700047	O-ring~kit - for shroud~40/60~B~d=ø227.97 T=6.99~EPDM WRAS/NSF~70 Shore (2 pcs)~Pos. 412.01
	3618700048	O-ring~kit - for shroud~40/60~B~d=ø227.97 T=6.99~FPM~Green~60 Shore (2 pcs)~Pos. 412.01
	3618700049	O-ring~kit - for shroud~40/60~B~d=ø227.97 T=6.99~HNBR~Yellow~70 Shore (2 pcs)~Pos. 412.01
	3618700050	O-ring~kit - for shroud~40/60~B~d=ø227.97 T=6.99~EPDM 559236 (SPECIAL)~70 Shore (2 pcs)~Pos. 412.01
412.03	3618700051	O-ring~kit - for stage casing~40~B~d=ø69.22 T=5.33~EPDM WRAS/NSF~70 Shore (6 pcs)~Pos. 412.03
	3618700052	O-ring~kit - for stage casing~40~B~d=ø69.22 T=5.33~FPM~70 Shore (6 pcs)~Pos. 412.03
	3618700053	O-ring~kit - for stage casing~40~B~d=ø69.22 T=5.33~HNBR~70 Shore (6 pcs)~Pos. 412.03
	3618700054	O-ring~kit - for stage casing~60~B~d=ø77 T=5.33~EPDM WRAS/NSF~70 Shore (6 pcs)~Pos. 412.03
	3618700055	O-ring~kit - for stage casing~60~B~d=ø77 T=5.33~FPM~70 Shore (6 pcs)~Pos. 412.03
	3618700056	O-ring~kit - for stage casing~60~B~d=ø77 T=5.33~HNBR~70 Shore (6 pcs)~Pos. 412.03
525.05	3613400191	Spacer sleeve~Seal - Single stage~40~B~D=ø28 d=ø22.15 L=13.24~AISI316~Pos. 525.05
	3613600191	Spacer sleeve~Seal - Single stage~60~B~D=ø28 d=ø22.15 L=12~AISI316~Pos. 525.05
	3618250190	Spacer sleeve~Seal~25/60~B~D=ø28 d=ø22.15 L=44~AISI303~Pos. 525.05
	3618400190	Spacer sleeve~Seal~40~B~D=ø28 d=ø22.15 L=45.24~AISI303~Pos. 525.05
81-88	18706003	Shaft end~Kit~24/32/45/65~A~25-85~B~D=ø22~AISI316~Revision kit~Pos. 81-88

MULTI VS C 40 Hydraulic Assembly

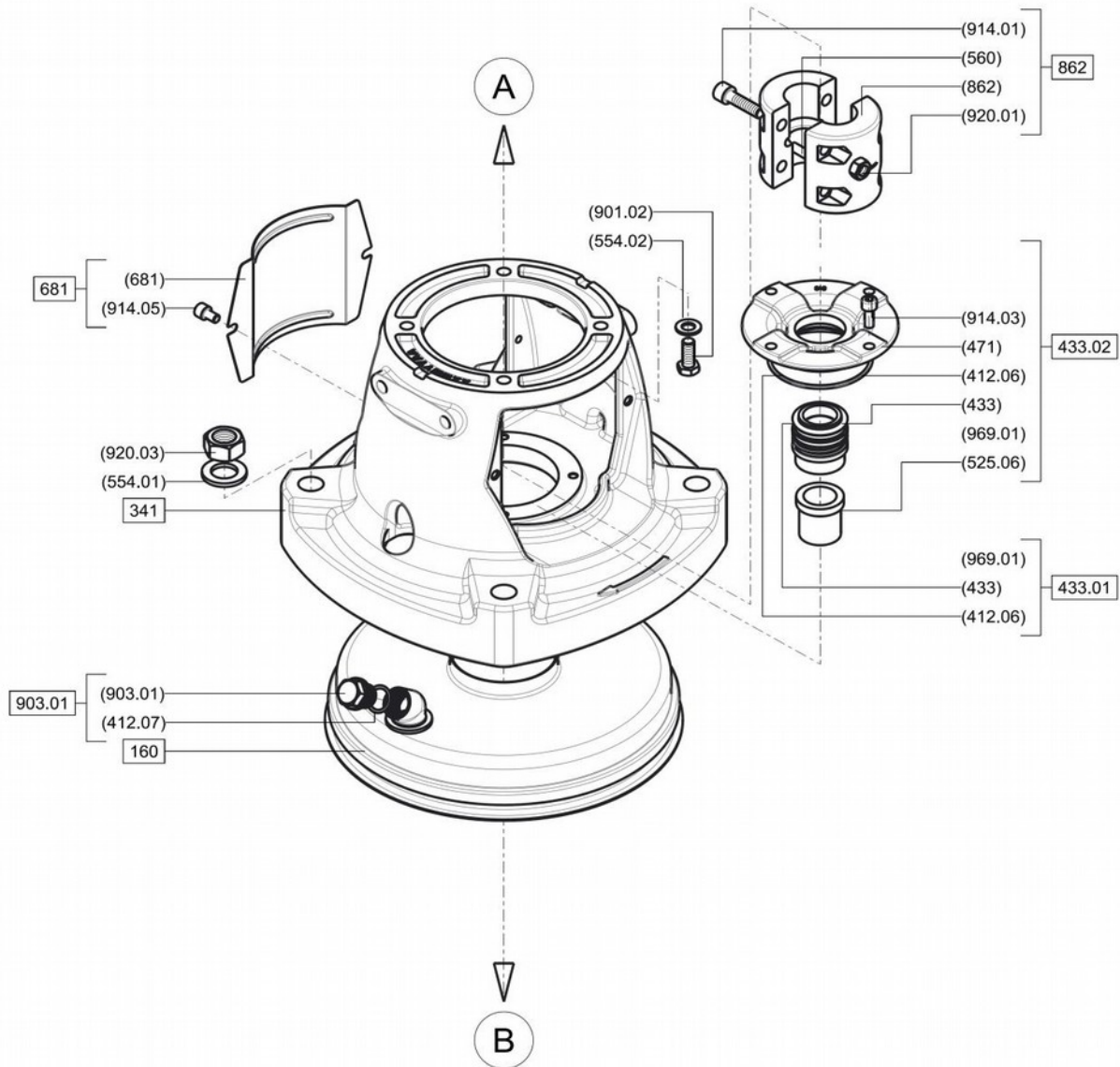
Pos.nr.	Art.nr.	Kit description
200	3618737101	Hydraulic assembly kit~~~~40/1-1~B~D=ø187 L=213~AISI316/EPDM WRAS~~Pos. 200
	3618737102	Hydraulic assembly kit~~~~40/1~B~D=ø187 L=213~AISI316/EPDM WRAS~~Pos. 200
	3618737103	Hydraulic assembly kit~~~~40/2-2~B~D=ø187 L=291~AISI316/EPDM WRAS~~Pos. 200
	3618737104	Hydraulic assembly kit~~~~40/2~B~D=ø187 L=291~AISI316/EPDM WRAS~~Pos. 200
	3618737105	Hydraulic assembly kit~~~~40/3-2~B~D=ø187 L=369~AISI316/EPDM WRAS~~Pos. 200
	3618737106	Hydraulic assembly kit~~~~40/3~B~D=ø187 L=369~AISI316/EPDM WRAS~~Pos. 200
	3618737107	Hydraulic assembly kit~~~~40/4-2~B~D=ø187 L=447~AISI316/EPDM WRAS~~Pos. 200
	3618737108	Hydraulic assembly kit~~~~40/4~B~D=ø187 L=447~AISI316/EPDM WRAS~~Pos. 200
	3618737109	Hydraulic assembly kit~~~~40/5-2~B~D=ø187 L=525~AISI316/EPDM WRAS~~Pos. 200
	3618737110	Hydraulic assembly kit~~~~40/5~B~D=ø187 L=525~AISI316/EPDM WRAS~~Pos. 200
	3618737111	Hydraulic assembly kit~~~~40/6-2~B~D=ø187 L=603~AISI316/EPDM WRAS~~50/60Hz~Pos. 200
	3618737112	Hydraulic assembly kit~~~~40/6~B~D=ø187 L=603~AISI316/EPDM WRAS~~50/60Hz~Pos. 200
	3618737113	Hydraulic assembly kit~~~~40/7-2~B~D=ø187 L=681~AISI316/EPDM WRAS~~50/60Hz~Pos. 200
	3618737114	Hydraulic assembly kit~~~~40/7~B~D=ø187 L=681~AISI316/EPDM WRAS~~50/60Hz~Pos. 200
	3618737115	Hydraulic assembly kit~~~~40/8-2~B~D=ø187 L=759~AISI316/EPDM WRAS~~50/60Hz~Pos. 200
	3618737116	Hydraulic assembly kit~~~~40/8~B~D=ø187 L=759~AISI316/EPDM WRAS~~50/60Hz~Pos. 200
	3618737117	Hydraulic assembly kit~~~~40/9-2~B~D=ø187 L=837~AISI316/EPDM WRAS~~50/60Hz~Pos. 200
	3618737118	Hydraulic assembly kit~~~~40/9~B~D=ø187 L=837~AISI316/EPDM WRAS~~50/60Hz~Pos. 200
	3618737119	Hydraulic assembly kit~~~~40/10-2~B~D=ø187 L=915~AISI316/EPDM WRAS~~50/60Hz~Pos. 200
	3618737120	Hydraulic assembly kit~~~~40/10~B~D=ø187 L=915~AISI316/EPDM WRAS~~50/60Hz~Pos. 200
	3618737201	Hydraulic assembly kit~~~~40/1-1~B~D=ø187 L=213~AISI316/FPM~~Pos. 200
	3618737202	Hydraulic assembly kit~~~~40/2~B~D=ø187 L=291~AISI316/FPM~~Pos. 200
	3618737203	Hydraulic assembly kit~~~~40/2-2~B~D=ø187 L=291~AISI316/FPM~~Pos. 200
	3618737204	Hydraulic assembly kit~~~~40/2~B~D=ø187 L=291~AISI316/FPM~~Pos. 200
	3618737205	Hydraulic assembly kit~~~~40/3-2~B~D=ø187 L=369~AISI316/FPM~~Pos. 200
	3618737206	Hydraulic assembly kit~~~~40/3~B~D=ø187 L=369~AISI316/FPM~~Pos. 200
	3618737207	Hydraulic assembly kit~~~~40/4-2~B~D=ø187 L=447~AISI316/FPM~~Pos. 200
	3618737208	Hydraulic assembly kit~~~~40/4~B~D=ø187 L=447~AISI316/FPM~~Pos. 200
	3618737209	Hydraulic assembly kit~~~~40/5-2~B~D=ø187 L=525~AISI316/FPM~~Pos. 200
	3618737210	Hydraulic assembly kit~~~~40/5~B~D=ø187 L=525~AISI316/FPM~~Pos. 200
	3618737211	Hydraulic assembly kit~~~~40/6-2~B~D=ø187 L=603~AISI316/FPM~~50/60Hz~Pos. 200
	3618737212	Hydraulic assembly kit~~~~40/6~B~D=ø187 L=603~AISI316/FPM~~50/60Hz~Pos. 200
	3618737213	Hydraulic assembly kit~~~~40/7-2~B~D=ø187 L=681~AISI316/FPM~~50/60Hz~Pos. 200
	3618737214	Hydraulic assembly kit~~~~40/7~B~D=ø187 L=681~AISI316/FPM~~50/60Hz~Pos. 200
	3618737215	Hydraulic assembly kit~~~~40/8-2~B~D=ø187 L=759~AISI316/FPM~~50/60Hz~Pos. 200
	3618737216	Hydraulic assembly kit~~~~40/8~B~D=ø187 L=759~AISI316/FPM~~50/60Hz~Pos. 200
	3618737217	Hydraulic assembly kit~~~~40/9-2~B~D=ø187 L=837~AISI316/FPM~~50/60Hz~Pos. 200
	3618737218	Hydraulic assembly kit~~~~40/9~B~D=ø187 L=837~AISI316/FPM~~50/60Hz~Pos. 200
	3618737219	Hydraulic assembly kit~~~~40/10-2~B~D=ø187 L=915~AISI316/FPM~~50/60Hz~Pos. 200
	3618737220	Hydraulic assembly kit~~~~40/10~B~D=ø187 L=915~AISI316/FPM~~50/60Hz~Pos. 200

MULTI VS_F/C 40-60 Hydraulic Assembly



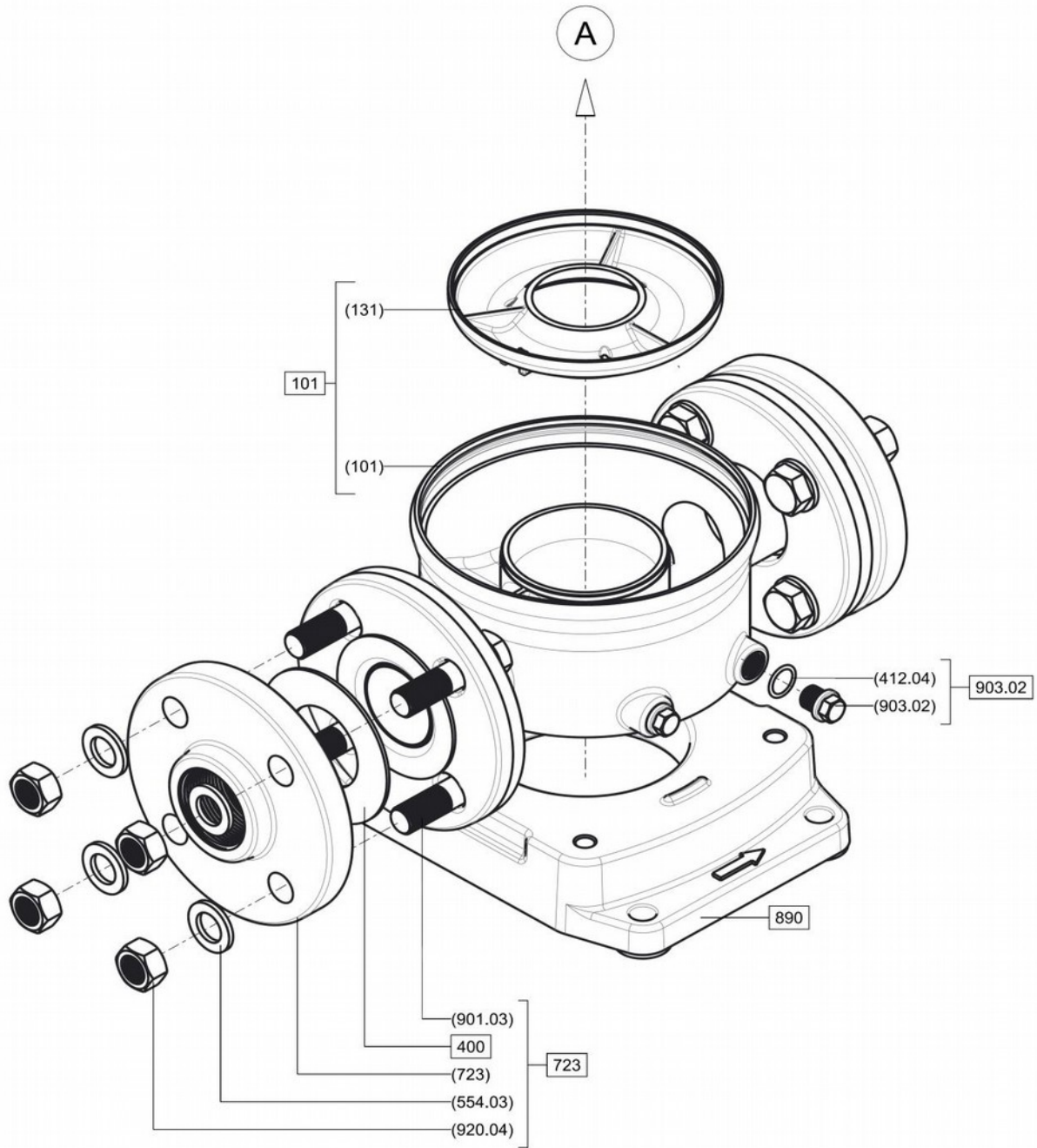
MULTI VS_C 60 Hydraulic Assembly

Pos.nr.	Art.nr.	Component description
200	3618738101	Hydraulic assembly kit~60/1-1~B~D=ø187 L=213~AISI316/EPDM WRAS~Pos. 200
	3618738102	Hydraulic assembly kit~60/1~B~D=ø187 L=213~AISI316/EPDM WRAS~Pos. 200
	3618738103	Hydraulic assembly kit~60/2-2~B~D=ø187 L=291~AISI316/EPDM WRAS~Pos. 200
	3618738104	Hydraulic assembly kit~60/2~B~D=ø187 L=291~AISI316/EPDM WRAS~Pos. 200
	3618738105	Hydraulic assembly kit~60/3-2~B~D=ø187 L=369~AISI316/EPDM WRAS~Pos. 200
	3618738106	Hydraulic assembly kit~60/3~B~D=ø187 L=369~AISI316/EPDM WRAS~Pos. 200
	3618738107	Hydraulic assembly kit~60/4-2~B~D=ø187 L=447~AISI316/EPDM WRAS~Pos. 200
	3618738108	Hydraulic assembly kit~60/4~B~D=ø187 L=447~AISI316/EPDM WRAS~Pos. 200
	3618738109	Hydraulic assembly kit~60/5-2~B~D=ø187 L=525~AISI316/EPDM WRAS~Pos. 200
	3618738110	Hydraulic assembly kit~60/5~B~D=ø187 L=525~AISI316/EPDM WRAS~Pos. 200
	3618738111	Hydraulic assembly kit~60/6-2~B~D=ø187 L=603~AISI316/EPDM WRAS~50/60Hz~Pos. 200
	3618738112	Hydraulic assembly kit~60/6~B~D=ø187 L=603~AISI316/EPDM WRAS~50/60Hz~Pos. 200
	3618738113	Hydraulic assembly kit~60/7-2~B~D=ø187 L=681~AISI316/EPDM WRAS~50/60Hz~Pos. 200
	3618738114	Hydraulic assembly kit~60/7~B~D=ø187 L=681~AISI316/EPDM WRAS~50/60Hz~Pos. 200
	3618738115	Hydraulic assembly kit~60/8-2~B~D=ø187 L=759~AISI316/EPDM WRAS~50/60Hz~Pos. 200
	3618738116	Hydraulic assembly kit~60/8~B~D=ø187 L=759~AISI316/EPDM WRAS~50/60Hz~Pos. 200
	3618738117	Hydraulic assembly kit~60/9-2~B~D=ø187 L=837~AISI316/EPDM WRAS~50/60Hz~Pos. 200
	3618738201	Hydraulic assembly kit~60/1-1~B~D=ø187 L=213~AISI316/FPM~Pos. 200
	3618738202	Hydraulic assembly kit~60/1~B~D=ø187 L=213~AISI316/FPM~Pos. 200
	3618738203	Hydraulic assembly kit~60/2-2~B~D=ø187 L=291~AISI316/FPM~Pos. 200
	3618738204	Hydraulic assembly kit~60/2~B~D=ø187 L=291~AISI316/FPM~Pos. 200
	3618738205	Hydraulic assembly kit~60/3-2~B~D=ø187 L=369~AISI316/FPM~Pos. 200
	3618738206	Hydraulic assembly kit~60/3~B~D=ø187 L=369~AISI316/FPM~Pos. 200
	3618738207	Hydraulic assembly kit~60/4-2~B~D=ø187 L=447~AISI316/FPM~Pos. 200
	3618738208	Hydraulic assembly kit~60/4~B~D=ø187 L=447~AISI316/FPM~Pos. 200
	3618738209	Hydraulic assembly kit~60/5-2~B~D=ø187 L=525~AISI316/FPM~Pos. 200
	3618738210	Hydraulic assembly kit~60/5~B~D=ø187 L=525~AISI316/FPM~Pos. 200
	3618738211	Hydraulic assembly kit~60/6-2~B~D=ø187 L=603~AISI316/FPM~50/60Hz~Pos. 200
	3618738212	Hydraulic assembly kit~60/6~B~D=ø187 L=603~AISI316/FPM~50/60Hz~Pos. 200
	3618738213	Hydraulic assembly kit~60/7-2~B~D=ø187 L=681~AISI316/FPM~50/60Hz~Pos. 200
	3618738214	Hydraulic assembly kit~60/7~B~D=ø187 L=681~AISI316/FPM~50/60Hz~Pos. 200
	3618738215	Hydraulic assembly kit~60/8-2~B~D=ø187 L=759~AISI316/FPM~50/60Hz~Pos. 200
	3618738216	Hydraulic assembly kit~60/8~B~D=ø187 L=759~AISI316/FPM~50/60Hz~Pos. 200
	3618738217	Hydraulic assembly kit~60/9-2~B~D=ø187 L=837~AISI316/FPM~50/60Hz~Pos. 200



Drawing-no. SP2040220

Pos.nr.	Art.nr.	Component description
160	3613601290	Cover~Cartridge/EA seal~~~40/60~B~D=ø240 H=58~AISI316~~Pos. 160
341	3618600024	Motor stool~~~40/60~B~Stc.130~JS1030~RAL5002~Pos. 341
	3618600029	Motor stool~~~40/60~B~Stc.265~JS1030~RAL5002~Pos. 341
	3618600095	Motor stool~NEMA~~~40/60~B~Stc.184.2 (up to 7.5hp)~JS1030~RAL5002~Pos. 341
	3618600096	Motor stool~NEMA~~~40/60~B~Stc.184.2 (10-20hp)~JS1030~RAL5002~Pos. 341
	3618600097	Motor stool~NEMA~~~40/60~B~Stc.228.6 (25/30hp)~JS1030~RAL5002~Pos. 341
	3618600099	Motor stool~NEMA~~~40/60~B~Stc.279.4 (40-60hp)~JS1030~RAL5002~Pos. 341
433.01	3618723153	Mechanical seal~Revision kit~~~25-60~B~~d=ø22~Easy access~13~RMG12-G606~ SiC~Ca~EPDM WRAS~PN25~~EPDM WRAS/ACS/NSF~-20/+100°C~Pos. 433.01
	3618723183	Mechanical seal~Revision kit~~~25-60~B~~d=ø22~Easy access~14~RMG12-G606~ SiC~Ca~FPM~PN25~~FPM~-20/+120°C~Pos. 433.01
	3618723176	Mechanical seal~Revision kit~~~25-60~B~~d=ø22~Easy access~15~RMG12-G606~ TuC~TuC~HNBR~PN25(PN16)~~HNBR~-20/+120(140)°C~Pos. 433.01
	3618723177	Mechanical seal~Revision kit~~~25-60~B~~d=ø22~Easy access~16~RMG12-G606~ TuC~TuC~FPM~PN25(PN16)~~FPM~-20/+120(140)°C~Pos. 433.01
	3618723188	Mechanical seal~Revision kit~~~25-60~B~~d=ø22~Easy access~18~RMG12-G606~ TuC~Ca~EPDM~PN25(PN16)~~EPDM 559236 (SPECIAL)~-20/+120(140)°C~Pos. 433.01
	3618723181	Mechanical seal~Revision kit~~~25-60~B~~d=ø22~Easy access~24~MG12-G60~ SiC~SiC~FPM~PN10~~FPM~-20/+120°C~Pos. 433.01
	3618723182	Mechanical seal~Revision kit~~~25-60~B~~d=ø22~Easy access~29~MG12-G60~ SiC~SiC~EPDM~PN10~~EPDM~-20/+100°C~Pos. 433.01
433.02	3618723253	Mechanical seal~Kit complete~~~25-60~B~~d=ø22~Easy access~13~RMG12-G606~ SiC~Ca~EPDM WRAS~PN25~AISI316~EPDM WRAS/ACS/NSF~-20/+100°C~Pos. 433.02
	3618723283	Mechanical seal~Kit complete~~~25-60~B~~d=ø22~Easy access~14~RMG12-G606~ SiC~Ca~FPM~PN25~AISI316~FPM~-20/+120°C~Pos. 433.02
	3618723276	Mechanical seal~Kit complete~~~25-60~B~~d=ø22~Easy access~15~RMG12-G606~ TuC~TuC~HNBR~PN25(PN16)~AISI316~HNBR~-20/+120(140)°C~Pos. 433.02
	3618723277	Mechanical seal~Kit complete~~~25-60~B~~d=ø22~Easy access~16~RMG12-G606~ TuC~TuC~FPM~PN25(PN16)~AISI316~FPM~-20/+120(140)°C~Pos. 433.02
	3618723288	Mechanical seal~Kit complete~~~25-60~B~~d=ø22~Easy access~18~RMG12-G606~ TuC~Ca~EPDM~PN25(PN16)~AISI316~EPDM 559236 (SPECIAL)~-20/+120(140)°C~Pos. 433.02
	3618723281	Mechanical seal~Kit complete~~~25-60~B~~d=ø22~Easy access~24~MG12-G60~ SiC~SiC~FPM~PN10~AISI316~FPM~-20/+120°C~Pos. 433.02
	3618723282	Mechanical seal~Kit complete~~~25-60~B~~d=ø22~Easy access~29~MG12-G60~ SiC~SiC~EPDM~PN10~AISI316~EPDM~-20/+100°C~Pos. 433.01
681	3618700613	Coupling guard~Kit~~~25-60~B~Stc.130/149.2(up to 5hp)~AISI304~~~Pos. 681
	3618700615	Coupling guard~Kit~~~25~B~Stc.265/149.2(7.5-30hp)~AISI304~~~Pos. 681
	3618700815	Coupling guard~Kit~~~40-85~B~Stc.265/279.4~AISI304~~~Pos. 681
862	3618702001	Coupling~Kit~~~25-85~B~d=ø22 D=ø38~JS1030~~~Pos. 862
	3618702002	Coupling~Kit~~~25-85~B~d=ø22 D=ø42~JS1030~~~Pos. 862
	3618702003	Coupling~Kit~~~25-85~B~d=ø22 D=ø48~JS1030~~~Pos. 862
	3618702004	Coupling~Kit~~~25-85~B~d=ø22 D=ø55~JS1030~~~Pos. 862
	3618702005	Coupling~Kit~~~25-85~B~d=ø22 D=ø34.9~JS1030~~~Pos. 862
	3618702006	Coupling~Kit~~~25-85~B~d=ø22 D=ø41.3~JS1030~~~Pos. 862
	3618702007	Coupling~Kit~~~25-85~B~d=ø22 D=ø47.6~JS1030~~~Pos. 862
	3618702009	Coupling~Kit~~~25-60~B~d=ø22 D=ø28~Aluminium~~~Pos. 862
	903.01	3618700004

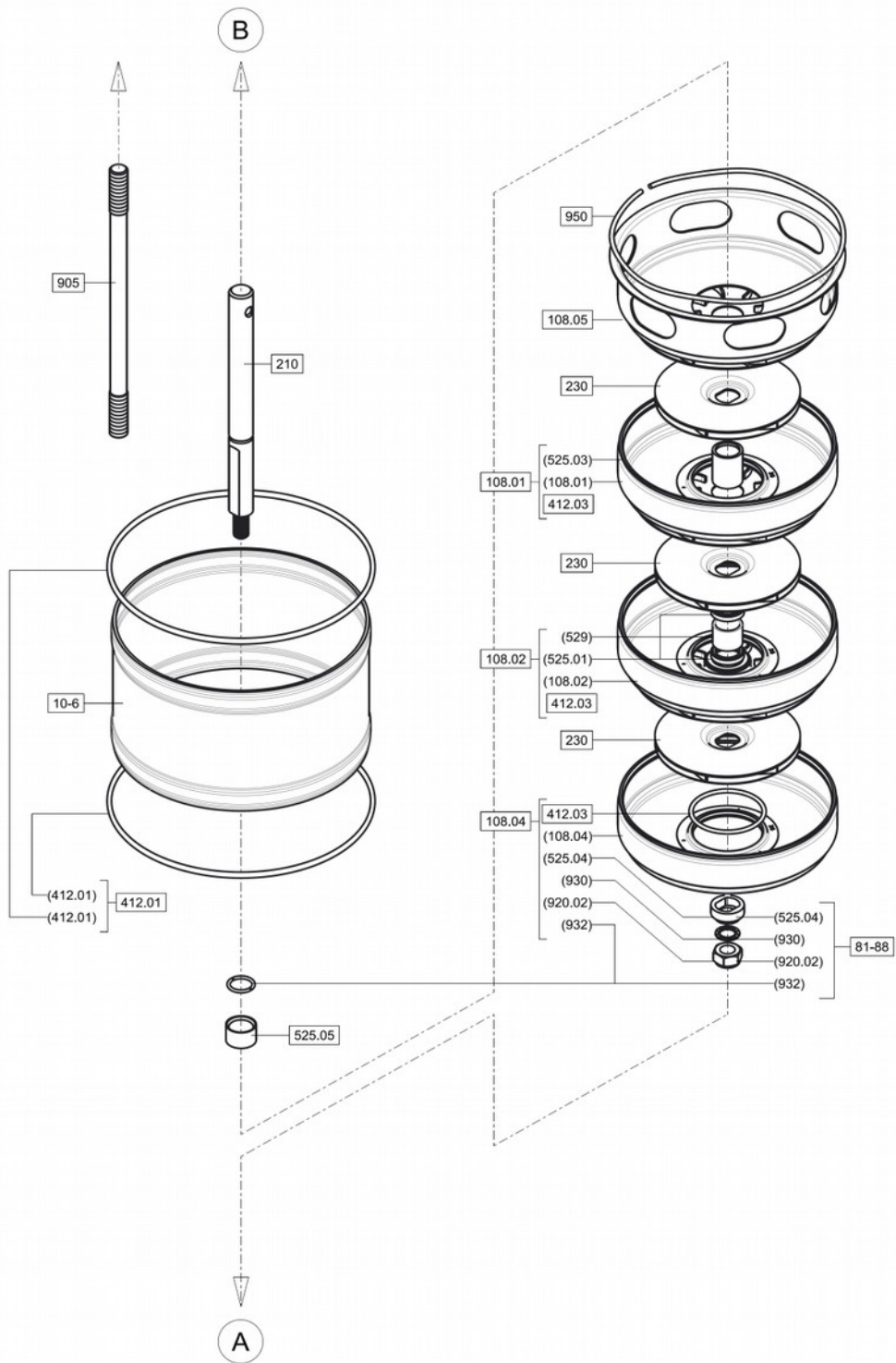


Drawing-no. SP2010304

MULTI VS_N 10-15 Pump casing

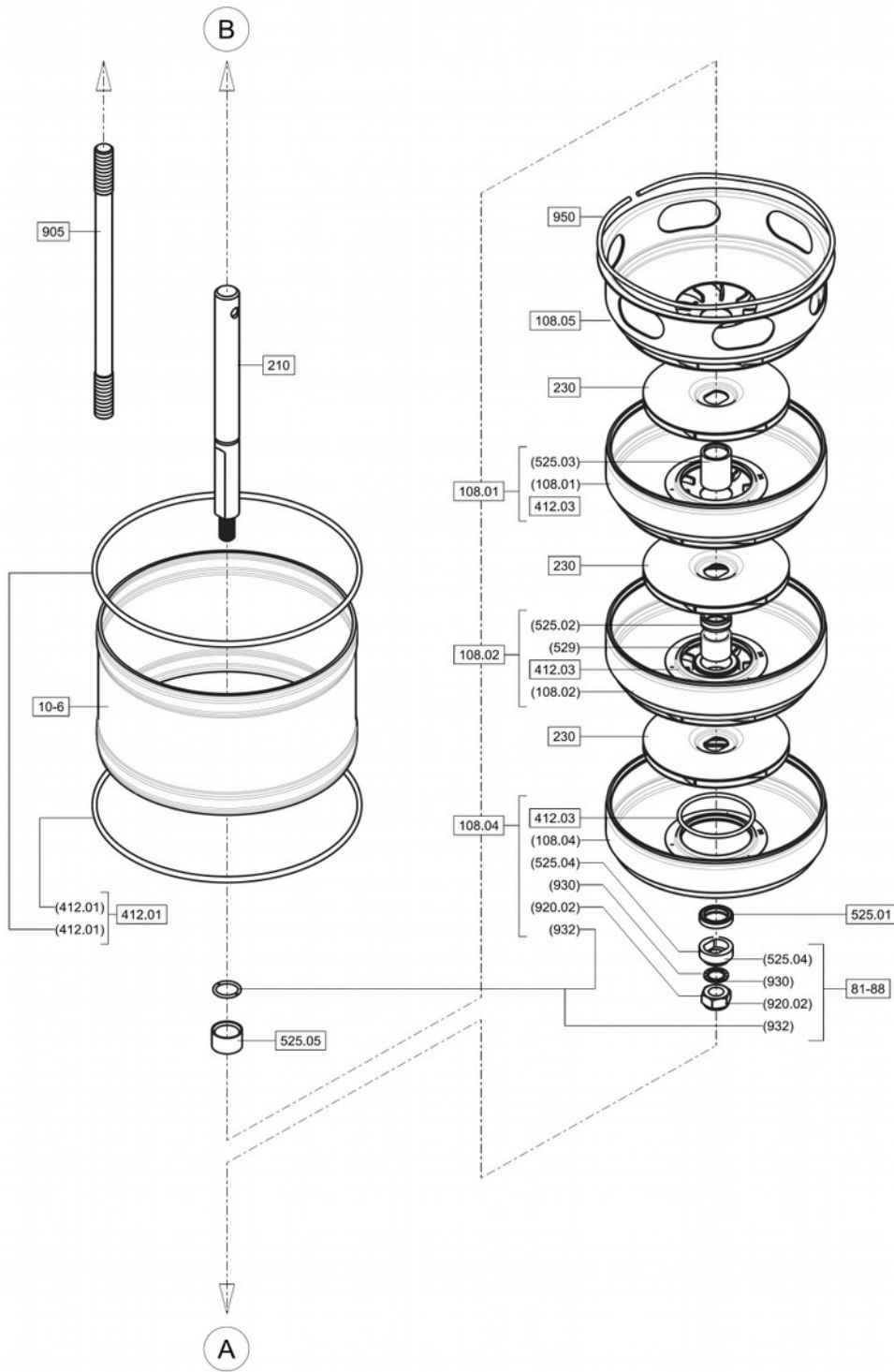


Pos.nr.	Art.nr.	Component description
101	3618703305	Pump casing~Kit~10~B~p=PN16/25/40 / 16K C=NW40~AISI316/JS1030~DIN/JIS~Pos. 101
	3618703306	Pump casing~Kit~10~B~p=Class250 C=NPS 6/4~AISI316/JS1030~ASME~Pos. 101
	3618703307	Pump casing~Kit~10~B~p=PN16/25/40 C=NW40~AISI316/AISI304~DIN~Pos. 101
	3618703308	Pump casing~Kit~10/15~B~p=PN16/25/40 C=NW50~AISI316/JS1030~DIN~Pos. 101
	3618703309	Pump casing~Kit~10/15~B~p=16K/Class250 C=NPS 2~AISI316/JS1030~JIS/ASME~Pos. 101
3618703310	Pump casing~Kit~10/15~B~p=PN16/25/40 C=NW50~AISI316/AISI304~DIN~Pos. 101	
400	3618703715	Gasket kit~Round~F10~B~C=NW40~C-4324~Klingersil~Pos. 400
	3618703716	Gasket kit~Round~10/15~B~C=NW50~C-4324~Klingersil~Pos. 400
723	3618703711	Flange kit~Counter round~10~B~C=NW40 x G 6/4~AISI316~DIN PN16/25/40~Pos. 723
	3618703712	Flange kit~Counter round~10/15~B~C=NW50 x G 2~AISI316~DIN PN16~Pos. 723
	3618703743	Flange kit~counter round~10~A~10~B~NW40(4holes) x G 6/4~ST.37~ELVZ.~EN1092-1 TYPE13 PN16/25/40~Pos. 723
	3618703744	Flange kit~counter round~18~A~10/15~B~NW50(4holes) x G 2~ST.37~ELVZ.~EN1092-1 TYPE13 PN16~Pos. 723
	3618703745	Flange kit~counter round~10/15~B~NW50(4 holes) x G 2~AISI304~EN1092-1 TYPE13 PN25/40~Pos. 723
890	3618100046	Baseplate~(-/F/V/T/E)10+V(S)(-/E)15~B~L=247 B=184 H=51~JL1040~RAL9011~Pos. 890
	3618100055	Baseplate~(-/F/V/T/E)10+V(S)(-/E)15~B~L=247 B=184 H=51~AISI304~Pos. 890
	3618150043	Baseplate~(F/V/T)15~B~L=247 B=184 H=61~JL1040~RAL9011~Pos. 890
	3618150056	Baseplate~(F/V/T)15~B~L=247 B=184 H=61~AISI304~Pos. 890
903.02	3618700001	Screwed plug~Kit~2-85~B~C=G 1/4~AISI316/FPM/EPDM/HNBR~(WRAS)~DIN910~Pos. 903.02



Drawing-no. SP2011100

Pos.nr.	Art.nr.	Component description
10-6	3613100342	Pump shroud~10/15-1/2~B~D=ø169.3 L=96.08 s=2~AIS1316~Pos. 10-6
	3613100343	Pump shroud~10/15-3~B~D=ø169.3 L=122.52 s=2~AIS1316~Pos. 10-6
	3613100344	Pump shroud~10/15-4~B~D=ø169.3 L=148.96 s=2~AIS1316~Pos. 10-6
	3613100345	Pump shroud~10/15-5~B~D=ø169.3 L=175.40 s=2~AIS1316~Pos. 10-6
	3613100346	Pump shroud~10/15-6~B~D=ø169.3 L=201.84 s=2~AIS1316~Pos. 10-6
	3613100347	Pump shroud~10/15-7~B~D=ø169.3 L=228.28 s=2~AIS1316~Pos. 10-6
	3613100348	Pump shroud~10/15-8~B~D=ø169.3 L=254.72 s=2~AIS1316~Pos. 10-6
	3613100349	Pump shroud~10/15-9~B~D=ø169.3 L=280.86 s=2.5~AIS1316~Pos. 10-6
	3613100350	Pump shroud~10/15-10~B~D=ø169.3 L=307.30 s=2.5~AIS1316~Pos. 10-6
	3613100351	Pump shroud~10/15-11~B~D=ø169.3 L=333.74 s=2.5~AIS1316~Pos. 10-6
	3613100353	Pump shroud~10/15-13~B~D=ø169.3 L=386.62 s=2.5~AIS1316~Pos. 10-6
	3613100355	Pump shroud~10/15-15~B~D=ø169.3 L=439.50 s=2.5~AIS1316~Pos. 10-6
	3613100357	Pump shroud~10/15-17~B~D=ø169.3 L=492.38 s=2.5~AIS1316~Pos. 10-6
	3613100359	Pump shroud~10/15-19~B~D=ø169.3 L=545.26 s=2.5~AIS1316~Pos. 10-6
	3613100361	Pump shroud~10/15-21~B~D=ø169.3 L=598.14 s=2.5~AIS1316~Pos. 10-6
108.01	3618709055	Stage casing~Kit~10~B~AIS1316/FPM/EPDM/HNBR~(WRAS/NSF)~Revision kit~Pos. 108.01
108.02	3618709053	Stage casing~With bearing - kit~10~B~AIS1316/FPM/EPDM/HNBR~(WRAS/NSF)~Revision kit~Pos. 108.02
108.04	3618709057	Stage casing~bottom - kit~10~B~AIS1316/FPM/EPDM/HNBR~(WRAS/NSF)~Revision kit~Pos. 108.04
108.05	3613100291	Stage casing~Upper~10~B~D=ø152 H=50.3~AIS1316~Pos. 108.05
210	3613100562	Shaft~10/15-1/2~B~D=ø16 L=179.5~AIS1316~Pos. 210
	3613100563	Shaft~10/15-3~B~D=ø16 L=206~AIS1316~Pos. 210
	3613100564	Shaft~10/15-4~B~D=ø16 L=232.5~AIS1316~Pos. 210
	3613100565	Shaft~10/15-5~B~D=ø16 L=259~AIS1316~Pos. 210
	3613100566	Shaft~10/15-6~B~D=ø16 L=285.5~AIS1316~Pos. 210
	3613100567	Shaft~10/15-7~B~D=ø16 L=312~AIS1316~Pos. 210
	3613100568	Shaft~10/15-8~B~D=ø16 L=338.5~AIS1316~Pos. 210
	3613100569	Shaft~10/15-9~B~D=ø16 L=365~AIS1316~Pos. 210
	3613100570	Shaft~10/15-10~B~D=ø16 L=391.5~AIS1316~Pos. 210
	3613100571	Shaft~10/15-11~B~D=ø16 L=418~AIS1329~Pos. 210
	3613100573	Shaft~10/15-13~B~D=ø16 L=471~AIS1329~Pos. 210
	3613100575	Shaft~10/15-15~B~D=ø16 L=524~AIS1329~Pos. 210
	3613100577	Shaft~10/15-17~B~D=ø16 L=577~AIS1329~Pos. 210
	3613100579	Shaft~10/15-19~B~D=ø16 L=630~AIS1329~Pos. 210
	3613100581	Shaft~10/15-21~B~D=ø16 L=683~AIS1329~Pos. 210
230	3613100300	Impeller~10~B~D=ø96 H=13.2~AIS1316~Pos. 230
412.01	3618700030	O-ring~kit - for shroud~10/15~B~d=ø172 T=4~EPDM WRAS/NSF~70 Shore (2 pcs)~Pos. 412.01
	3618700031	O-ring~kit - for shroud~10/15~B~d=ø172 T=4~FPM~Green~70 Shore (2 pcs)~Pos. 412.01
	3618700032	O-ring~kit - for shroud~10/15~B~d=ø172 T=4~HNBR~Yellow~70 Shore (2 pcs)~Pos. 412.01
	3618700033	O-ring~kit - for shroud~10/15~B~d=ø172 T=4~EPDM 559236 (SPECIAL)~70 Shore (2 pcs)~Pos. 412.01
412.03	3618700034	O-ring~kit - for stage casing~10~B~d=ø45.7 T=2.62~EPDM WRAS/NSF~70 Shore (6 pcs)~Pos. 412.03
	3618700035	O-ring~kit - for stage casing~10~B~d=ø45.7 T=2.62~FPM~70 Shore (6 pcs)~Pos. 412.03
	3618700036	O-ring~kit - for stage casing~10~B~d=ø45.7 T=2.62~HNBR~70 Shore (6 pcs)~Pos. 412.03
525.05	3613100190	Spacer sleeve~Seal~10~B~D=ø20 d=ø16.15 L=17.2~AIS1316~Pos. 525.05
525.08	3618709062	De-staging~Kit~10~B~AIS1316~Pos. 525.08
81-88	18706002	Shaft end~Kit~10-18 / LHS6~A~V(C/S)10/15~B~D=ø16~AIS1316~Revision kit~Pos. 81-88
905	14120217	Tie bolt~10/15-1/2~B~L=217 C=M12~AIS1431~Pos. 905
	14120244	Tie bolt~10/15-3~B~L=244 C=M12~AIS1431~Pos. 905
	14120270	Tie bolt~10-15-4~B~L=270 C=M12~AIS1431~Pos. 905
	14120296	Tie bolt~10/15-5~B~L=296 C=M12~AIS1431~Pos. 905
	14120323	Tie bolt~10/15-6~B~L=323 C=M12~AIS1431~Pos. 905
	14120349	Tie bolt~10/15-7~B~L=349 C=M12~AIS1431~Pos. 905
	14120376	Tie bolt~10/15-8~B~L=376 C=M12~AIS1431~Pos. 905
	14120402	Tie bolt~10/15-9~B~L=402 C=M12~AIS1431~Pos. 905
	14120429	Tie bolt~10/15-10~B~L=429 C=M12~AIS1431~Pos. 905
	14120455	Tie bolt~10/15-11~B~L=455 C=M12~AIS1431~Pos. 905
	14120508	Tie bolt~10/15-13~B~L=508 C=M12~AIS1431~Pos. 905
	14120561	Tie bolt~10/15-15~B~L=561 C=M12~AIS1431~Pos. 905
	14120614	Tie bolt~10/15-17~B~L=614 C=M12~AIS1431~Pos. 905
	14120667	Tie bolt~10/15-19~B~L=667 C=M12~AIS1431~Pos. 905
	14120719	Tie bolt~10/15-21~B~L=719 C=M12~AIS1431~Pos. 905
950	3613100013	Wave spring~10/15~B~D=ø156 T=2.92~AIS1316~Pos. 950



Drawing-no. SP2015100

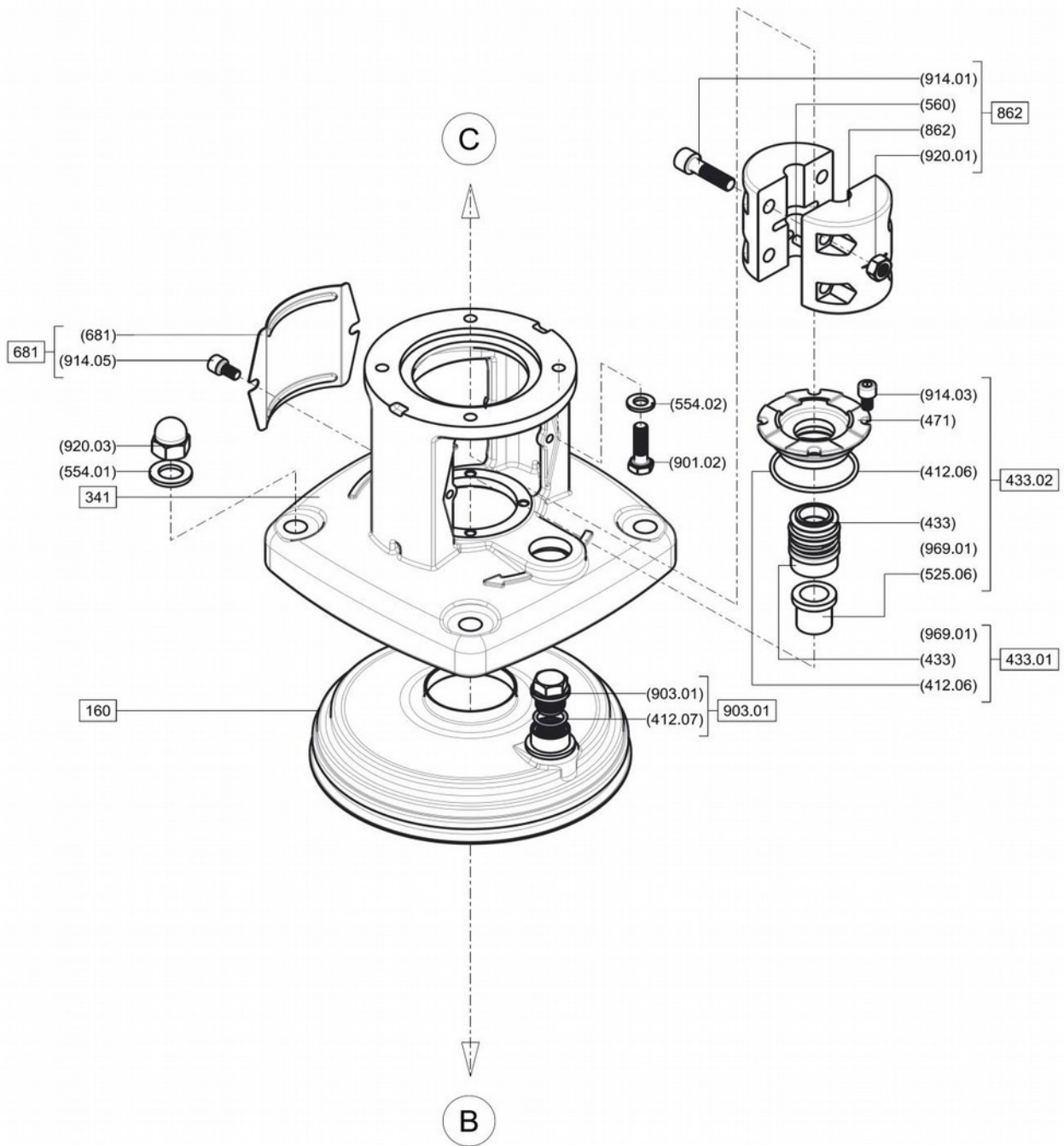
Pos.nr.	Art.nr.	Component description
10-6	3613100342	Pump shroud~10/15-1/2~B~D=ø169.3 L=96.08 s=2~AIS1316~Pos. 10-6
	3613100343	Pump shroud~10/15-3~B~D=ø169.3 L=122.52 s=2~AIS1316~Pos. 10-6
	3613100344	Pump shroud~10/15-4~B~D=ø169.3 L=148.96 s=2~AIS1316~Pos. 10-6
	3613100345	Pump shroud~10/15-5~B~D=ø169.3 L=175.40 s=2~AIS1316~Pos. 10-6
	3613100346	Pump shroud~10/15-6~B~D=ø169.3 L=201.84 s=2~AIS1316~Pos. 10-6
	3613100347	Pump shroud~10/15-7~B~D=ø169.3 L=228.28 s=2~AIS1316~Pos. 10-6
	3613100348	Pump shroud~10/15-8~B~D=ø169.3 L=254.72 s=2~AIS1316~Pos. 10-6
	3613100349	Pump shroud~10/15-9~B~D=ø169.3 L=280.86 s=2.5~AIS1316~Pos. 10-6
	3613100350	Pump shroud~10/15-10~B~D=ø169.3 L=307.30 s=2.5~AIS1316~Pos. 10-6
	3613100351	Pump shroud~10/15-11~B~D=ø169.3 L=333.74 s=2.5~AIS1316~Pos. 10-6
	3613100353	Pump shroud~10/15-13~B~D=ø169.3 L=386.62 s=2.5~AIS1316~Pos. 10-6
	3613100355	Pump shroud~10/15-15~B~D=ø169.3 L=439.50 s=2.5~AIS1316~Pos. 10-6
	3613100357	Pump shroud~10/15-17~B~D=ø169.3 L=492.38 s=2.5~AIS1316~Pos. 10-6
	3613100359	Pump shroud~10/15-19~B~D=ø169.3 L=545.26 s=2.5~AIS1316~Pos. 10-6
	3613100361	Pump shroud~10/15-21~B~D=ø169.3 L=598.14 s=2.5~AIS1316~Pos. 10-6
108.01	3618709056	Stage casing~Kit~15~B~AIS1316/FPM/EPDM/HNBR~(WRAS/NSF)~Revision kit~Pos. 108.01
108.04	3618709058	Stage casing~bottom - kit~15~B~AIS1316/FPM/EPDM/HNBR~(WRAS/NSF)~Revision kit~Pos. 108.04
108.05	3613150291	Stage casing~Upper~15~B~D=ø152 H=51.3~AIS1316~Pos. 108.05
210	3613100562	Shaft~10/15-1/2~B~D=ø16 L=179.5~AIS1316~Pos. 210
	3613100563	Shaft~10/15-3~B~D=ø16 L=206~AIS1316~Pos. 210
	3613100564	Shaft~10/15-4~B~D=ø16 L=232.5~AIS1316~Pos. 210
	3613100565	Shaft~10/15-5~B~D=ø16 L=259~AIS1316~Pos. 210
	3613100566	Shaft~10/15-6~B~D=ø16 L=285.5~AIS1316~Pos. 210
	3613100567	Shaft~10/15-7~B~D=ø16 L=312~AIS1316~Pos. 210
	3613100568	Shaft~10/15-8~B~D=ø16 L=338.5~AIS1316~Pos. 210
	3613100569	Shaft~10/15-9~B~D=ø16 L=365~AIS1316~Pos. 210
	3613100570	Shaft~10/15-10~B~D=ø16 L=391.5~AIS1316~Pos. 210
	3613100571	Shaft~10/15-11~B~D=ø16 L=418~AIS1329~Pos. 210
	3613100573	Shaft~10/15-13~B~D=ø16 L=471~AIS1329~Pos. 210
	3613100575	Shaft~10/15-15~B~D=ø16 L=524~AIS1329~Pos. 210
	3613100577	Shaft~10/15-17~B~D=ø16 L=577~AIS1329~Pos. 210
	3613100579	Shaft~10/15-19~B~D=ø16 L=630~AIS1329~Pos. 210
	3613100581	Shaft~10/15-21~B~D=ø16 L=683~AIS1329~Pos. 210
230	3613150300	Impeller~15~B~D=ø110 H=15.3~AIS1316~Pos. 230
412.01	3618700030	O-ring-kit - for shroud~10/15~B~d=ø172 T=4~EPDM WRAS/NSF~70 Shore (2 pcs)~Pos. 412.01
	3618700031	O-ring-kit - for shroud~10/15~B~d=ø172 T=4~FPM~Green~70 Shore (2 pcs)~Pos. 412.01
	3618700032	O-ring-kit - for shroud~10/15~B~d=ø172 T=4~HNBR~Yellow~70 Shore (2 pcs)~Pos. 412.01
	3618700033	O-ring-kit - for shroud~10/15~B~d=ø172 T=4~EPDM 559236 (SPECIAL)~70 Shore (2 pcs)~Pos. 412.01
525.01	3613100378	Spacer sleeve~Short~10/15~B~D=ø22 d=ø16.15 L=4.65~AIS1316~Pos. 525.01
525.05	3613150190	Spacer sleeve~Seal~15~B~D=ø20 d=ø16.15 L=10.9~AIS1316~Pos. 525.05
525.08	3618709063	De-staging~Kit~15~B~AIS1316~Pos. 525.08
81-88	18706002	Shaft end~Kit~10-18 / LHS6~A~V(C/S)10/15~B~D=ø16~AIS1316~Revision kit~Pos. 81-88
905	14120217	Tie bolt~10/15-1/2~B~L=217 C=M12~AIS1431~Pos. 905
	14120244	Tie bolt~10/15-3~B~L=244 C=M12~AIS1431~Pos. 905
	14120270	Tie bolt~10-15-4~B~L=270 C=M12~AIS1431~Pos. 905
	14120296	Tie bolt~10/15-5~B~L=296 C=M12~AIS1431~Pos. 905
	14120323	Tie bolt~10/15-6~B~L=323 C=M12~AIS1431~Pos. 905
	14120349	Tie bolt~10/15-7~B~L=349 C=M12~AIS1431~Pos. 905
	14120376	Tie bolt~10/15-8~B~L=376 C=M12~AIS1431~Pos. 905
	14120402	Tie bolt~10/15-9~B~L=402 C=M12~AIS1431~Pos. 905
	14120429	Tie bolt~10/15-10~B~L=429 C=M12~AIS1431~Pos. 905
	14120455	Tie bolt~10/15-11~B~L=455 C=M12~AIS1431~Pos. 905
	14120508	Tie bolt~10/15-13~B~L=508 C=M12~AIS1431~Pos. 905
	14120561	Tie bolt~10/15-15~B~L=561 C=M12~AIS1431~Pos. 905
	14120614	Tie bolt~10/15-17~B~L=614 C=M12~AIS1431~Pos. 905
	14120667	Tie bolt~10/15-19~B~L=667 C=M12~AIS1431~Pos. 905
	14120719	Tie bolt~10/15-21~B~L=719 C=M12~AIS1431~Pos. 905
950	3613100013	Wave spring~10/15~B~D=ø156 T=2.92~AIS1316~Pos. 950

MULTI VS_10 Hydraulic Assembly

Pos.nr.	Art.nr.	Kit description
200	3618734101	Hydraulic assembly kit~~~~10/1~B~D=ø156 L=179.5~AISI316/EPDM WRAS~~50/60Hz~Pos. 200
	3618734102	Hydraulic assembly kit~~~~10/2~B~D=ø156 L=179.5~AISI316/EPDM WRAS~~50/60Hz~Pos. 200
	3618734103	Hydraulic assembly kit~~~~10/3~B~D=ø156 L=206~AISI316/EPDM WRAS~~50/60Hz~Pos. 200
	3618734104	Hydraulic assembly kit~~~~10/4~B~D=ø156 L=232.5~AISI316/EPDM WRAS~~50/60Hz~Pos. 200
	3618734105	Hydraulic assembly kit~~~~10/5~B~D=ø156 L=259~AISI316/EPDM WRAS~~50/60Hz~Pos. 200
	3618734106	Hydraulic assembly kit~~~~10/6~B~D=ø156 L=285.5~AISI316/EPDM WRAS~~50/60Hz~Pos. 200
	3618734107	Hydraulic assembly kit~~~~10/7~B~D=ø156 L=312~AISI316/EPDM WRAS~~50/60Hz~Pos. 200
	3618734108	Hydraulic assembly kit~~~~10/8~B~D=ø156 L=338.5~AISI316/EPDM WRAS~~50/60Hz~Pos. 200
	3618734109	Hydraulic assembly kit~~~~10/9~B~D=ø156 L=365~AISI316/EPDM WRAS~~50/60Hz~Pos. 200
	3618734110	Hydraulic assembly kit~~~~10/10~B~D=ø156 L=391.5~AISI316/EPDM WRAS~~50/60Hz~Pos. 200
	3618734111	Hydraulic assembly kit~~~~10/11~B~D=ø156 L=418~AISI316/EPDM WRAS~~50/60Hz~Pos. 200
	3618734113	Hydraulic assembly kit~~~~10/13~B~D=ø156 L=471~AISI316/EPDM WRAS~~50/60Hz~Pos. 200
	3618734115	Hydraulic assembly kit~~~~10/15~B~D=ø156 L=524~AISI316/EPDM WRAS~~50/60Hz~Pos. 200
	3618734117	Hydraulic assembly kit~~~~10/17~B~D=ø156 L=577~AISI316/EPDM WRAS~~50/60Hz~Pos. 200
	3618734119	Hydraulic assembly kit~~~~10/19~B~D=ø156 L=630~AISI316/EPDM WRAS~~50/60Hz~Pos. 200
	3618734121	Hydraulic assembly kit~~~~10/21~B~D=ø156 L=683~AISI316/EPDM WRAS~~50/60Hz~Pos. 200
	3618734201	Hydraulic assembly kit~~~~10/1~B~D=ø156 L=179.5~AISI316/FPM~~50/60Hz~Pos. 200
	3618734202	Hydraulic assembly kit~~~~10/2~B~D=ø156 L=179.5~AISI316/FPM~~50/60Hz~Pos. 200
	3618734203	Hydraulic assembly kit~~~~10/3~B~D=ø156 L=206~AISI316/FPM~~50/60Hz~Pos. 200
	3618734204	Hydraulic assembly kit~~~~10/4~B~D=ø156 L=232.5~AISI316/FPM~~50/60Hz~Pos. 200
	3618734205	Hydraulic assembly kit~~~~10/5~B~D=ø156 L=259~AISI316/FPM~~50/60Hz~Pos. 200
	3618734206	Hydraulic assembly kit~~~~10/6~B~D=ø156 L=285.5~AISI316/FPM~~50/60Hz~Pos. 200
	3618734207	Hydraulic assembly kit~~~~10/7~B~D=ø156 L=312~AISI316/FPM~~50/60Hz~Pos. 200
	3618734208	Hydraulic assembly kit~~~~10/8~B~D=ø156 L=338.5~AISI316/FPM~~50/60Hz~Pos. 200
	3618734209	Hydraulic assembly kit~~~~10/9~B~D=ø156 L=365~AISI316/FPM~~50/60Hz~Pos. 200
	3618734210	Hydraulic assembly kit~~~~10/10~B~D=ø156 L=391.5~AISI316/FPM~~50/60Hz~Pos. 200
	3618734211	Hydraulic assembly kit~~~~10/11~B~D=ø156 L=418~AISI316/FPM~~50/60Hz~Pos. 200
	3618734213	Hydraulic assembly kit~~~~10/13~B~D=ø156 L=471~AISI316/FPM~~50/60Hz~Pos. 200
	3618734215	Hydraulic assembly kit~~~~10/15~B~D=ø156 L=524~AISI316/FPM~~50/60Hz~Pos. 200
	3618734217	Hydraulic assembly kit~~~~10/17~B~D=ø156 L=577~AISI316/FPM~~50/60Hz~Pos. 200
	3618734219	Hydraulic assembly kit~~~~10/19~B~D=ø156 L=630~AISI316/FPM~~50/60Hz~Pos. 200
	3618734221	Hydraulic assembly kit~~~~10/21~B~D=ø156 L=683~AISI316/FPM~~50/60Hz~Pos. 200

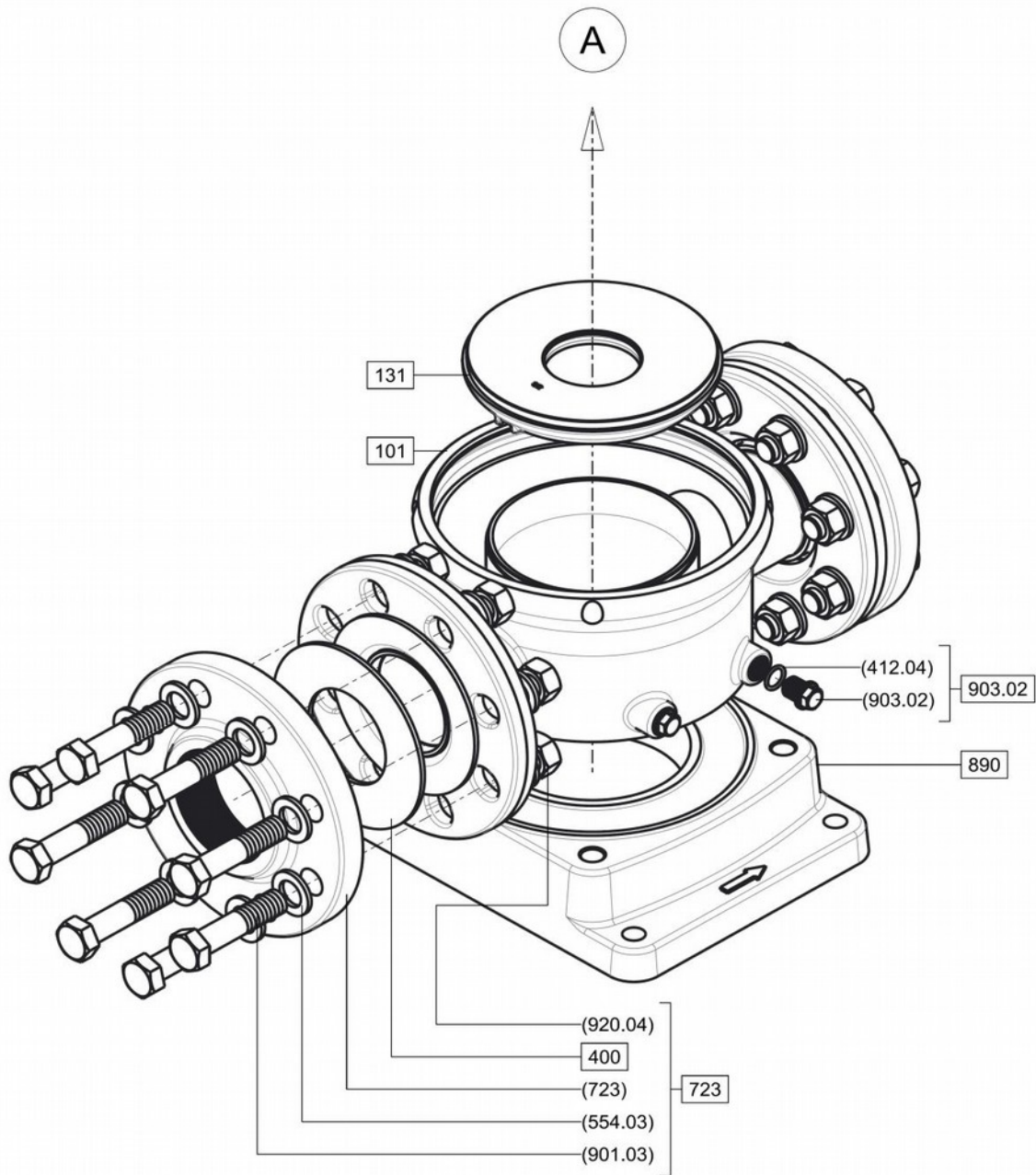
MULTI VS_15 Hydraulic Assembly

Pos.nr.	Art.nr.	Kit description
200	3618735101	Hydraulic assembly kit~~~~15/1~B~D=ø156 L=179.5~AISI316/EPDM WRAS~~50/60Hz~Pos. 200
	3618735102	Hydraulic assembly kit~~~~15/2~B~D=ø156 L=179.5~AISI316/EPDM WRAS~~50/60Hz~Pos. 200
	3618735103	Hydraulic assembly kit~~~~15/3~B~D=ø156 L=206~AISI316/EPDM WRAS~~50/60Hz~Pos. 200
	3618735104	Hydraulic assembly kit~~~~15/4~B~D=ø156 L=232.5~AISI316/EPDM WRAS~~50/60Hz~Pos. 200
	3618735105	Hydraulic assembly kit~~~~15/5~B~D=ø156 L=259~AISI316/EPDM WRAS~~50/60Hz~Pos. 200
	3618735106	Hydraulic assembly kit~~~~15/6~B~D=ø156 L=285.5~AISI316/EPDM WRAS~~50/60Hz~Pos. 200
	3618735107	Hydraulic assembly kit~~~~15/7~B~D=ø156 L=312~AISI316/EPDM WRAS~~50/60Hz~Pos. 200
	3618735108	Hydraulic assembly kit~~~~15/8~B~D=ø156 L=338.5~AISI316/EPDM WRAS~~50/60Hz~Pos. 200
	3618735109	Hydraulic assembly kit~~~~15/9~B~D=ø156 L=365~AISI316/EPDM WRAS~~50/60Hz~Pos. 200
	3618735110	Hydraulic assembly kit~~~~15/10~B~D=ø156 L=391.5~AISI316/EPDM WRAS~~50/60Hz~Pos. 200
	3618735111	Hydraulic assembly kit~~~~15/11~B~D=ø156 L=418~AISI316/EPDM WRAS~~50/60Hz~Pos. 200
	3618735113	Hydraulic assembly kit~~~~15/13~B~D=ø156 L=471~AISI316/EPDM WRAS~~50/60Hz~Pos. 200
	3618735115	Hydraulic assembly kit~~~~15/15~B~D=ø156 L=524~AISI316/EPDM WRAS~~50/60Hz~Pos. 200
	3618735117	Hydraulic assembly kit~~~~15/17~B~D=ø156 L=577~AISI316/EPDM WRAS~~50/60Hz~Pos. 200
	3618735201	Hydraulic assembly kit~~~~15/1~B~D=ø156 L=179.5~AISI316/FPM~~50/60Hz~Pos. 200
	3618735202	Hydraulic assembly kit~~~~15/2~B~D=ø156 L=179.5~AISI316/FPM~~50/60Hz~Pos. 200
	3618735203	Hydraulic assembly kit~~~~15/3~B~D=ø156 L=206~AISI316/FPM~~50/60Hz~Pos. 200
	3618735204	Hydraulic assembly kit~~~~15/4~B~D=ø156 L=232.5~AISI316/FPM~~50/60Hz~Pos. 200
	3618735205	Hydraulic assembly kit~~~~15/5~B~D=ø156 L=259~AISI316/FPM~~50/60Hz~Pos. 200
	3618735206	Hydraulic assembly kit~~~~15/6~B~D=ø156 L=285.5~AISI316/FPM~~50/60Hz~Pos. 200
	3618735207	Hydraulic assembly kit~~~~15/7~B~D=ø156 L=312~AISI316/FPM~~50/60Hz~Pos. 200
	3618735208	Hydraulic assembly kit~~~~15/8~B~D=ø156 L=338.5~AISI316/FPM~~50/60Hz~Pos. 200
	3618735209	Hydraulic assembly kit~~~~15/9~B~D=ø156 L=365~AISI316/FPM~~50/60Hz~Pos. 200
	3618735210	Hydraulic assembly kit~~~~15/10~B~D=ø156 L=391.5~AISI316/FPM~~50/60Hz~Pos. 200
	3618735211	Hydraulic assembly kit~~~~15/11~B~D=ø156 L=418~AISI316/FPM~~50/60Hz~Pos. 200
	3618735213	Hydraulic assembly kit~~~~15/13~B~D=ø156 L=471~AISI316/FPM~~50/60Hz~Pos. 200
	3618735215	Hydraulic assembly kit~~~~15/15~B~D=ø156 L=524~AISI316/FPM~~50/60Hz~Pos. 200
	3618735217	Hydraulic assembly kit~~~~15/17~B~D=ø156 L=577~AISI316/FPM~~50/60Hz~Pos. 200



Drawing-no. SP2010220

Pos.nr.	Art.nr.	Component description
160	3613101290	Cover~Cartridge/EA seal~~~10/15~B~G 3/8~AIS1316~~~Pos. 160
341	3618100022	Motor stool~~~~10/15~B~Stc.100~JL1040~RAL5002~Frame 80~Pos. 341
	3618100023	Motor stool~~~~10/15~B~Stc.115~JL1040~RAL5002~Frame 90~Pos. 341
	3618100024	Motor stool~~~~10/15~B~Stc.130~JL1040~RAL5002~Frame 100/112~Pos. 341
	3618100029	Motor stool~~~~10/15~B~Stc.265 (max. 22kW)~JS1030~RAL5002~Frame 132~Pos. 341
	3618100028	Motor stool~NEMA~~~10/15~B~Stc.149.2 (up to 5hp)~JL1040~RAL5002~~~Pos. 341
	3618100020	Motor stool~NEMA~~~10/15~B~Stc.149.2 (7.5-30hp)~JL1040~RAL5002~~~Pos. 341
	3618100095	Motor stool~NEMA~~~10/15~B~Stc.184.2 (3-5hp)~JS1030~RAL5002~~~Pos. 341
3618100096	Motor stool~NEMA~~~10/15~B~Stc.184.2 (7.5-20hp)~JS1030~RAL5002~~~Pos. 341	
433.01	3618721153	Mechanical seal~Revision kit~~~10/15~B~~d=ø16~Easy access~13~RMG12-G606~ SiC~Ca~EPDM WRAS~PN25~~EPDM WRAS/ACS/NSF~-20/+100°C~Pos. 433.01
	3618721183	Mechanical seal~Revision kit~~~10/15~B~~d=ø16~Easy access~14~RMG12-G606~ SiC~Ca~FPM~PN25~~FPM~-20/+120°C~Pos. 433.01
	3618721176	Mechanical seal~Revision kit~~~10/15~B~~d=ø16~Easy access~15~RMG12-G606~ TuC~TuC~HNBR~PN25(PN16)~~HNBR~-20/+120(140)°C~Pos. 433.01
	3618721177	Mechanical seal~Revision kit~~~10/15~B~~d=ø16~Easy access~16~RMG12-G606~ TuC~TuC~FPM~PN25(PN16)~~FPM~-20/+120(140)°C~Pos. 433.01
	3618721188	Mechanical seal~Revision kit~~~10/15~B~~d=ø16~Easy access~18~RMG12-G606~ TuC~Ca~EPDM~PN25(PN16)~~EPDM 559236 (SPECIAL)~-20/+120(140)°C~Pos. 433.01
	3618721181	Mechanical seal~Revision kit~~~10/15~B~~d=ø16~Easy access~24~MG12-G60~ SiC~SiC~FPM~PN10~~FPM~-20/+120°C~Pos. 433.01
	3618721186	Mechanical seal~Revision kit~~~10/15~B~~d=ø16~Easy access~28~MG12-G60~ SiC~SiC~HNBR~PN10~~HNBR~-20/+120°C~Pos. 433.01
	3618721182	Mechanical seal~Revision kit~~~10/15~B~~d=ø16~Easy access~29~MG12-G60~ SiC~SiC~EPDM~PN10~~EPDM~-20/+100°C~Pos. 433.01
433.02	3618721253	Mechanical seal~Kit complete~~~10/15~B~~d=ø16~Easy access~13~RMG12-G606~ SiC~Ca~EPDM WRAS~PN25~AIS1316~EPDM WRAS/ACS/NSF~-20/+100°C~Pos. 433.02
	3618721283	Mechanical seal~Kit complete~~~10/15~B~~d=ø16~Easy access~14~RMG12-G606~ SiC~Ca~FPM~PN25~AIS1316~FPM~-20/+120°C~Pos. 433.02
	3618721276	Mechanical seal~Kit complete~~~10/15~B~~d=ø16~Easy access~15~RMG12-G606~ TuC~TuC~HNBR~PN25(PN16)~AIS1316~HNBR~-20/+120(140)°C~Pos. 433.02
	3618721277	Mechanical seal~Kit complete~~~10/15~B~~d=ø16~Easy access~16~RMG12-G606~ TuC~TuC~FPM~PN25(PN16)~AIS1316~FPM~-20/+120(140)°C~Pos. 433.02
	3618721288	Mechanical seal~Kit complete~~~10/15~B~~d=ø16~Easy access~18~RMG12-G606~ TuC~Ca~EPDM~PN25(PN16)~AIS1316~EPDM 559236 (SPECIAL)~-20/+120(140)°C~Pos. 433.02
	3618721281	Mechanical seal~Kit complete~~~10/15~B~~d=ø16~Easy access~24~MG12-G60~ SiC~SiC~FPM~PN10~AIS1316~FPM~-20/+120°C~Pos. 433.02
	3618721286	Mechanical seal~Kit complete~~~10/15~B~~d=ø16~Easy access~28~MG12-G60~ SiC~SiC~HNBR~PN10~AIS1316~HNBR~-20/+120°C~Pos. 433.02
	3618721282	Mechanical seal~Kit complete~~~10/15~B~~d=ø16~Easy access~29~MG12-G60~ SiC~SiC~EPDM~PN10~AIS1316~EPDM~-20/+100°C~Pos. 433.02
681	3618700411	Coupling guard~Kit~~~2-15~B~Stc.85/100~AIS1304~~~Pos. 681
	3618700412	Coupling guard~Kit~~~2-15~B~Stc.115/130~AIS1304~~~Pos. 681
	3618700415	Coupling guard~Kit~~~2-15~B~Stc.265/149.2(7.5-30hp)~AIS1304~~~Pos. 681
	3618700418	Coupling guard~Kit~~~10/15~B~Stc.149.2(up to 5hp)~AIS1304~~~Pos. 681
862	3618702021	Coupling~Kit~~~10/15~B~d=ø16 D=ø19~Aluminium~~~Pos. 862
	3618702022	Coupling~Kit~~~10/15~B~d=ø16 D=ø24~Aluminium~~~Pos. 862
	3618702023	Coupling~Kit~~~10/15~B~d=ø16 D=ø28~Aluminium~~~Pos. 862
	3618702024	Coupling~Kit~~~10/15~B~d=ø16 D=ø38~JS1030~~~Pos. 862
	3618702025	Coupling~Kit~~~10/15~B~d=ø16 D=ø42~JS1030~~~Pos. 862
	3618702026	Coupling~Kit~~~10/15~B~d=ø16 D=ø48~JS1030~~~Pos. 862
	3618702027	Coupling~Kit~~~10/15~B~d=ø16 D=ø15.9~Aluminium~~~Pos. 862
	3618702028	Coupling~Kit~~~10/15~B~d=ø16 D=ø22.2~Aluminium~~~Pos. 862
	3618702029	Coupling~Kit~~~10/15~B~d=ø16 D=ø28.6~Aluminium~~~Pos. 862
	3618702030	Coupling~Kit~~~10/15~B~d=ø16 D=ø34.9~JS1030~~~Pos. 862
	3618702031	Coupling~Kit~~~10/15~B~d=ø16 D=ø41.3~JS1030~~~Pos. 862
903.01	3618700004	Screwed plug~Kit~~~2-85~B~C=G 3/8~AIS1316/FPM/EPDM/HNBR~(WRAS)~DIN910~Pos. 903.01

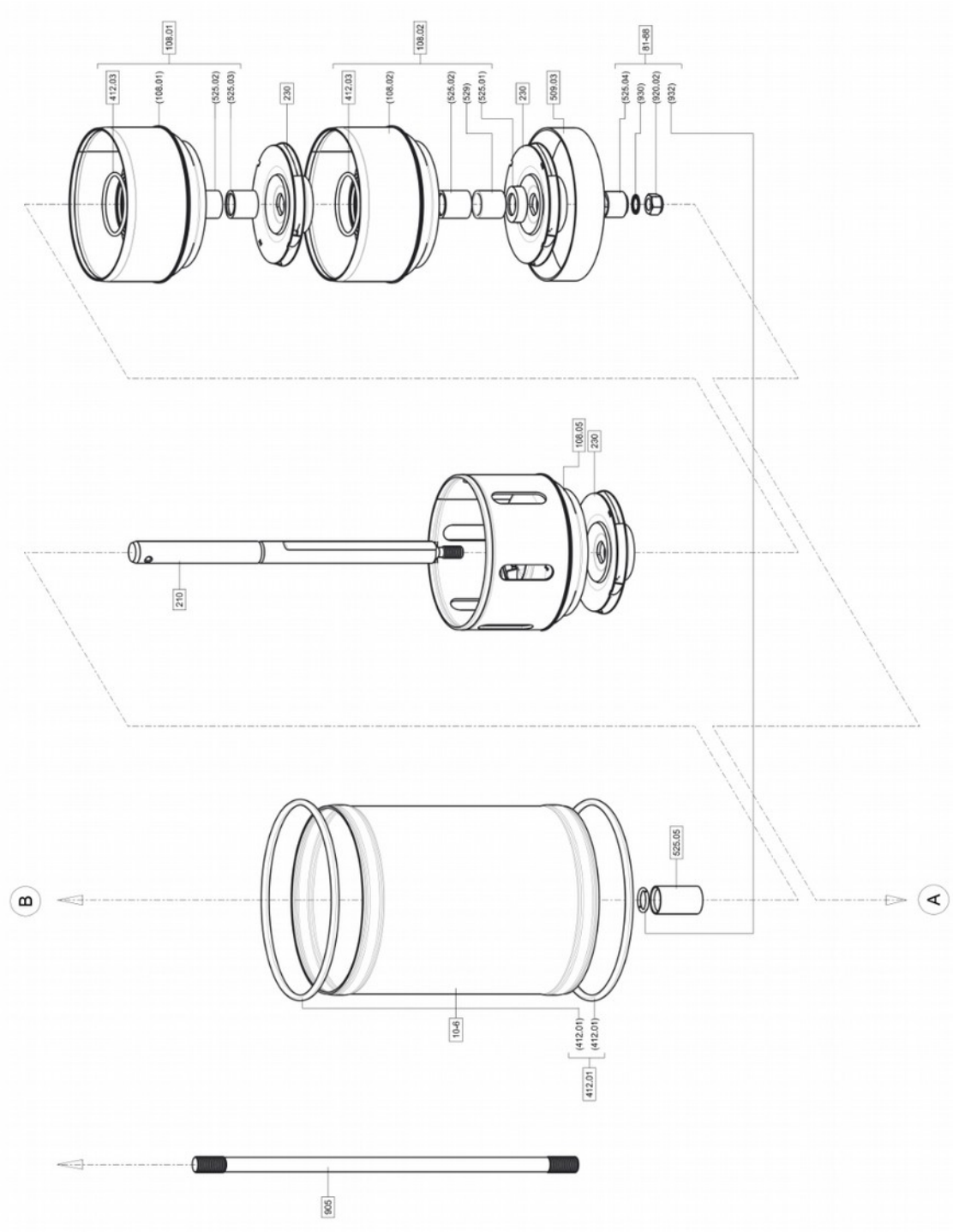


Drawing-no. SP2025304

MULTI VS_N 25 Pump casing



Pos.nr.	Art.nr.	Component description
101	3613250035	Pump casing~~~~VSF25~B~p=PN16/25/40 / 16K C=NW65~AISI316/JS1030~~DIN/JIS~Pos. 101
	3613250038	Pump casing~~~~VSF25~B~p=Class250 C=NPS 2 1/2~AISI316/JS1030~~ASME~Pos. 101
	3613250040	Pump casing~~~~VSF25~B~p=PN16/25 / 16K C=NW65~AISI316/AISI304~~DIN/JIS~Pos. 101
131	3613250090	Inletring~~~~VS25~B~D=ø155 H=22~AISI316~~~Pos. 131
400	3618703717	Gasket kit~Round~~~V(C/S)F25/40~B~C=NW65~C-4324~~Klingsil~Pos. 400
723	3618703720	Flange kit~Counter round~~~VS25~B~NW65 x G 5/2~AISI316~~DIN PN16~Pos. 723
	3618703721	Flange kit~counter round~~ ~VS25~B~NW65xG 5/2 BI~AISI316~~DIN PN25/40~Pos. 723
	3618703747	Flange kit~counter round~~~V(C)F25~B~NW65(8holes)xG 5/2~ST.37~ELVZ.~EN1092-1 TYPE13 PN16~Pos. 723
	3618703748	Flange kit~counter round~~~V(C)F25~B~NW65(8 holes) x G 5/2~AISI304~~EN1092-1 TYPE13 PN25/40~Pos. 723
890	3618250043	Baseplate~~~~V(S)25~B~L=280 B=210 H=65~JL 1040~RAL9011~~Pos. 890
903.02	3618700001	Screwed plug~Kit~~~V(C/S)2-85~B~C=G 1/4~AISI316/FPM/EPDM/HNBR~(WRAS)~DIN910~Pos. 903.02

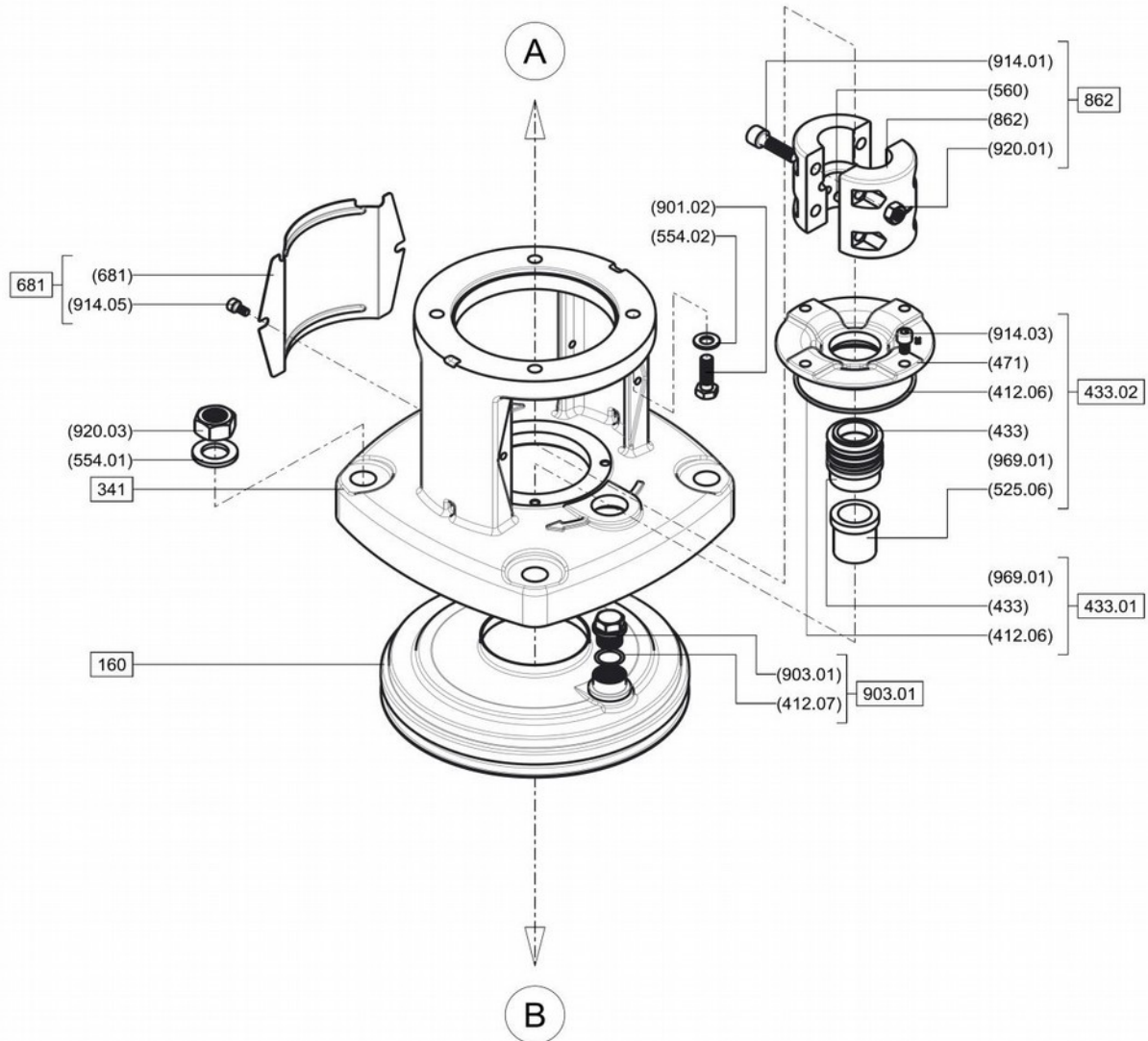


Drawing-no. SP2025100

Pos.nr.	Art.nr.	Component description
10-6	3613250341	Pump shroud~VS25-1~B~D=ø189.3 L=118 s=2~AIS1316~Pos. 10-6
	3613250342	Pump shroud~VS25-2~B~D=ø189.3 L=183 s=2~AIS1316~Pos. 10-6
	3613250343	Pump shroud~VS25-3~B~D=ø189.3 L=248 s=2~AIS1316~Pos. 10-6
	3613250344	Pump shroud~VS25-4~B~D=ø189.3 L=313 s=2~AIS1316~Pos. 10-6
	3613250345	Pump shroud~VS25-5~B~D=ø189.3 L=378 s=2~AIS1316~Pos. 10-6
	3613250346	Pump shroud~VS25-6~B~D=ø189.3 L=443 s=2~AIS1316~Pos. 10-6
	3613250347	Pump shroud~VS25-7~B~D=ø189.3 L=508 s=2~AIS1316~Pos. 10-6
	3613250348	Pump shroud~VS25-8~B~D=ø189.3 L=573 s=2~AIS1316~Pos. 10-6
	3613250349	Pump shroud~VS25-9~B~D=ø189.3 L=638 s=2~AIS1316~Pos. 10-6
	3613250350	Pump shroud~VS25-10~B~D=ø189.3 L=703 s=2~AIS1316~Pos. 10-6
	3613250351	Pump shroud~VS25-11~B~D=ø189.3 L=768 s=2~AIS1316~Pos. 10-6
3613250352	Pump shroud~VS25-12~B~D=ø189.3 L=833 s=2~AIS1316~Pos. 10-6	
108.01	3618709066	Stage casing~Kit~V25~B~AIS1316/FPM/EPDM/HNBR~(WRAS/NSF)~Revision kit~Pos. 108.01
108.02	3618709065	Stage casing~with bearing - kit~V25~B~AIS1316/FPM/EPDM/HNBR~(WRAS/NSF)~Revision kit~Pos. 108.02
108.05	3613250291	Stage casing~Upper~VS25~B~D=ø156 H=111.8~AIS1316~Pos. 108.05
210	3613250561	Shaft~VS25-1~B~D=ø22 L=216~AIS1329~Pos. 210
	3613250562	Shaft~VS25-2~B~D=ø22 L=281~AIS1329~Pos. 210
	3613250563	Shaft~VS25-3~B~D=ø22 L=346~AIS1329~Pos. 210
	3613250564	Shaft~VS25-4~B~D=ø22 L=411~AIS1329~Pos. 210
	3613250565	Shaft~VS25-5~B~D=ø22 L=476~AIS1329~Pos. 210
	3613250566	Shaft~VS25-6~B~D=ø22 L=541~AIS1329~Pos. 210
	3613250567	Shaft~VS25-7~B~D=ø22 L=606~AIS1329~Pos. 210
	3613250568	Shaft~VS25-8~B~D=ø22 L=671~AIS1329~Pos. 210
	3613250569	Shaft~VS25-9~B~D=ø22 L=736~AIS1329~Pos. 210
	3613250570	Shaft~VS25-10~B~D=ø22 L=801~AIS1329~Pos. 210
	3613250571	Shaft~VS25-11~B~D=ø22 L=866~AIS1329~Pos. 210
3613250572	Shaft~VS25-12~B~D=ø22 L=931~AIS1329~Pos. 210	
230	3613250300	Impeller~VS25~B~D=ø123.7 H=31.2~AIS1316~Pos. 230
412.01	3618700040	O-ring-kit - for shroud~V25~B~d=ø192 T=7~EPDM WRAS/NSF~70 Shore (2 pcs)~Pos. 412.01
	3618700041	O-ring-kit - for shroud~V25~B~d=ø192 T=7~FPM~Green~70 Shore (2 pcs)~Pos. 412.01
	3618700042	O-ring-kit - for shroud~V25~B~d=ø192 T=7~HNBR~Yellow~70 Shore (2 pcs)~Pos. 412.01
	3618700043	O-ring-kit - for shroud~V25~B~d=ø192 T=7~EPDM 559236 (SPECIAL)~70 Shore (2 pcs)~Pos. 412.01
412.03	3618700044	O-ring-kit - for stage casing~V25~B~d=ø57.15 T=3.53~EPDM WRAS/NSF~70 Shore (6 pcs)~Pos. 412.03
	3618700045	O-ring-kit - for stage casing~V25~B~d=ø57.15 T=3.53~FPM~70 Shore (6 pcs)~Pos. 412.03
	3618700046	O-ring-kit - for stage casing~V25~B~d=ø57.15 T=3.53~HNBR~70 Shore (6 pcs)~Pos. 412.03
509.03	3613250281	Intermediate ring~Lower~VS25~B~D=ø155 H=29.9~AIS1316~Pos. 509.03
525.05	3613250190	Spacer sleeve~Seal~VS25/60~B~D=ø28 d=ø22.15 L=44~AIS1316~Pos. 525.05
	3613250191	Spacer sleeve~Seal - Single stage~V25~B~D=ø28 d=ø22.08 L=9.3~AIS1316~Pos. 525.05
81-88	18706003	Shaft end~Kit~V(S)F24/32/45/65~A~V25-85~B~D=ø22~AIS1316~Revision kit~Pos. 81-88
905	14160260	Tie bolt~V25/1~B~L=260 C=M16~AIS1431~Pos. 905
	14160325	Tie bolt~V25/2~B~L=325 C=M16~AIS1431~Pos. 905
	14160388	Tie bolt~V24/32/45-20~A~V25/3~B~L=388 C=M16~AIS1431~Pos. 905
	14160455	Tie bolt~V25/4~B~L=455 C=M16~AIS1431~Pos. 905
	14160522	Tie bolt~VCF65-50~A~V25/5~B~L=522 C=M16~AIS1431~Pos. 905
	14160584	Tie bolt~V(S)F24/32/45-60~A~V25/6~B~L=584 C=M16~AIS1431~Pos. 905
	14160650	Tie bolt~V25/7~B~L=650 C=M16~AIS1431~Pos. 905
	14160715	Tie bolt~V25/8~B~L=715 C=M16~AIS1431~Pos. 905
	14160778	Tie bolt~V24/32/45-100~A~V(C/S)25/9~B~L=778 C=M16~AIS1431~Pos. 905
	14160845	Tie bolt~V25/10~B~L=845 C=M16~AIS1431~Pos. 905
	14160907	Tie bolt~VF65-70~A~V(C/S)25/11 - 85/6~B~L=907 C=M16~AIS1431~Pos. 905
	14160975	Tie bolt~V25/12~B~L=975 C=M16~AIS1431~Pos. 905

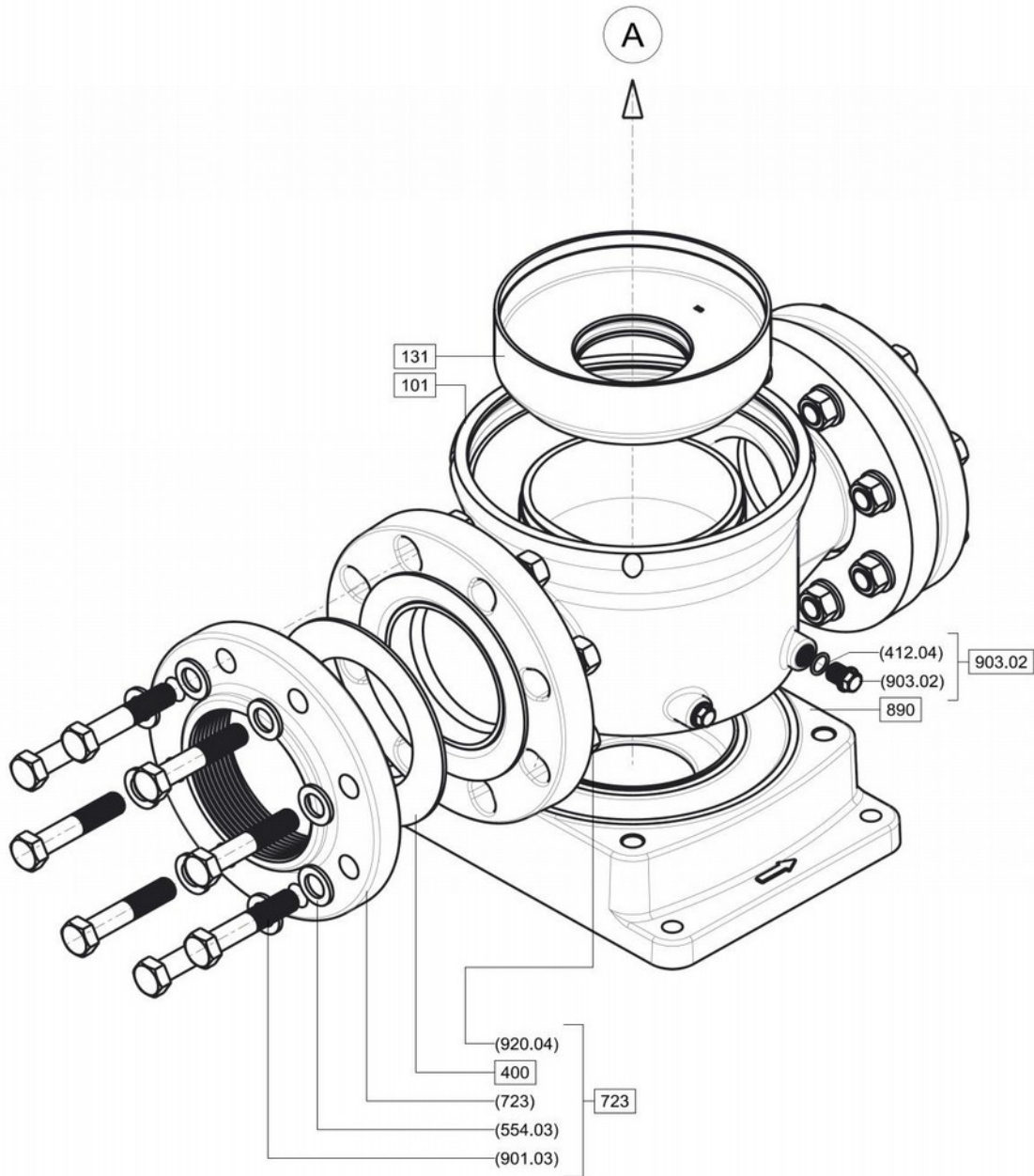
DPV(C,S)25 Hydraulic Assembly

Pos.nr.	Art.nr.	Kit description
200	3618736101	Hydraulic assembly kit~~~~25/1~B~D=ø155 L=270~AISI316/EPDM WRAS~~50/60Hz~Pos. 200
	3618736102	Hydraulic assembly kit~~~~25/2~B~D=ø155 L=335~AISI316/EPDM WRAS~~50/60Hz~Pos. 200
	3618736103	Hydraulic assembly kit~~~~25/3~B~D=ø155 L=400~AISI316/EPDM WRAS~~50/60Hz~Pos. 200
	3618736104	Hydraulic assembly kit~~~~25/4~B~D=ø155 L=465~AISI316/EPDM WRAS~~50/60Hz~Pos. 200
	3618736105	Hydraulic assembly kit~~~~25/5~B~D=ø155 L=530~AISI316/EPDM WRAS~~50/60Hz~Pos. 200
	3618736106	Hydraulic assembly kit~~~~25/6~B~D=ø155 L=595~AISI316/EPDM WRAS~~50/60Hz~Pos. 200
	3618736107	Hydraulic assembly kit~~~~25/7~B~D=ø155 L=660~AISI316/EPDM WRAS~~50/60Hz~Pos. 200
	3618736108	Hydraulic assembly kit~~~~25/8~B~D=ø155 L=725~AISI316/EPDM WRAS~~50/60Hz~Pos. 200
	3618736109	Hydraulic assembly kit~~~~25/9~B~D=ø155 L=790~AISI316/EPDM WRAS~~50/60Hz~Pos. 200
	3618736110	Hydraulic assembly kit~~~~25/10~B~D=ø155 L=855~AISI316/EPDM WRAS~~50/60Hz~Pos. 200
	3618736111	Hydraulic assembly kit~~~~25/11~B~D=ø155 L=920~AISI316/EPDM WRAS~~50/60Hz~Pos. 200
	3618736112	Hydraulic assembly kit~~~~25/12~B~D=ø155 L=985~AISI316/EPDM WRAS~~50/60Hz~Pos. 200
	3618736201	Hydraulic assembly kit~~~~25/1~B~D=ø155 L=270~AISI316/FPM~~50/60Hz~Pos. 200
	3618736202	Hydraulic assembly kit~~~~25/2~B~D=ø155 L=335~AISI316/FPM~~50/60Hz~Pos. 200
	3618736203	Hydraulic assembly kit~~~~25/3~B~D=ø155 L=400~AISI316/FPM~~50/60Hz~Pos. 200
	3618736204	Hydraulic assembly kit~~~~25/4~B~D=ø155 L=465~AISI316/FPM~~50/60Hz~Pos. 200
	3618736205	Hydraulic assembly kit~~~~25/5~B~D=ø155 L=530~AISI316/FPM~~50/60Hz~Pos. 200
	3618736206	Hydraulic assembly kit~~~~25/6~B~D=ø155 L=595~AISI316/FPM~~50/60Hz~Pos. 200
	3618736207	Hydraulic assembly kit~~~~25/7~B~D=ø155 L=660~AISI316/FPM~~50/60Hz~Pos. 200
	3618736208	Hydraulic assembly kit~~~~25/8~B~D=ø155 L=725~AISI316/FPM~~50/60Hz~Pos. 200
	3618736209	Hydraulic assembly kit~~~~25/9~B~D=ø155 L=790~AISI316/FPM~~50/60Hz~Pos. 200
	3618736210	Hydraulic assembly kit~~~~25/10~B~D=ø155 L=855~AISI316/FPM~~50/60Hz~Pos. 200
	3618736211	Hydraulic assembly kit~~~~25/11~B~D=ø155 L=920~AISI316/FPM~~50/60Hz~Pos. 200
3618736212	Hydraulic assembly kit~~~~25/12~B~D=ø155 L=985~AISI316/FPM~~50/60Hz~Pos. 200	



Drawing-no. SP2025220

Pos.nr.	Art.nr.	Component description
160	3613251290	Cover~Cartridge/EA seal~~~25~B~D=ø204.3 H=44.8 C=G 3/8~AISI316~~~Pos. 160
341	3618250023	Motor stool~~~~25~B~Stc.115~JL1040~RAL5002~Frame 90~Pos. 341
	3618250024	Motor stool~~~~25~B~Stc.130~JL1040~RAL5002~Frame 100/112~Pos. 341
	3618250029	Motor stool~~~~25~B~Stc.265 (max. 22kW)~JS1030~RAL5002~Frame 132~Pos. 341
	3618250095	Motor stool~NEMA~~~25~B~Stc.184.2 (up to 5.0hp)~JS1030~RAL5002~~~Pos. 341
	3618250096	Motor stool~NEMA~~~25~B~Stc.184.2 (7.5-20hp)~JS1030~RAL5002~~~Pos. 341
	3618250097	Motor stool~NEMA~~~25~B~Stc.228.6 (25/30hp)~JS1030~RAL5002~~~Pos. 341
433.01	3618723153	Mechanical seal~Revision kit~~~25-60~B~~d=ø22~Easy access~13~RMG12-G606~ SiC~Ca~EPDM WRAS~PN25~~EPDM WRAS/ACS/NSF~-20/+100°C~Pos. 433.01
	3618723183	Mechanical seal~Revision kit~~~25-60~B~~d=ø22~Easy access~14~RMG12-G606~ SiC~Ca~FPM~PN25~~FPM~-20/+120°C~Pos. 433.01
	3618723176	Mechanical seal~Revision kit~~~25-60~B~~d=ø22~Easy access~15~RMG12-G606~ TuC~TuC~HNBR~PN25(PN16)~~HNBR~-20/+120(140)°C~Pos. 433.01
	3618723177	Mechanical seal~Revision kit~~~25-60~B~~d=ø22~Easy access~16~RMG12-G606~ TuC~TuC~FPM~PN25(PN16)~~FPM~-20/+120(140)°C~Pos. 433.01
	3618723188	Mechanical seal~Revision kit~~~25-60~B~~d=ø22~Easy access~18~RMG12-G606~ TuC~Ca~EPDM~PN25(PN16)~~EPDM 559236 (SPECIAL)~-20/+120(140)°C~Pos. 433.01
	3618723181	Mechanical seal~Revision kit~~~25-60~B~~d=ø22~Easy access~24~MG12-G60~ SiC~SiC~FPM~PN10~~FPM~-20/+120°C~Pos. 433.01
	3618723182	Mechanical seal~Revision kit~~~25-60~B~~d=ø22~Easy access~29~MG12-G60~ SiC~SiC~EPDM~PN10~~EPDM~-20/+100°C~Pos. 433.01
433.02	3618723253	Mechanical seal~Kit complete~~~25-60~B~~d=ø22~Easy access~13~RMG12-G606~ SiC~Ca~EPDM WRAS~PN25~AISI316~EPDM WRAS/ACS/NSF~-20/+100°C~Pos. 433.02
	3618723283	Mechanical seal~Kit complete~~~25-60~B~~d=ø22~Easy access~14~RMG12-G606~ SiC~Ca~FPM~PN25~AISI316~FPM~-20/+120°C~Pos. 433.02
	3618723276	Mechanical seal~Kit complete~~~25-60~B~~d=ø22~Easy access~15~RMG12-G606~ TuC~TuC~HNBR~PN25(PN16)~AISI316~HNBR~-20/+120(140)°C~Pos. 433.02
	3618723277	Mechanical seal~Kit complete~~~25-60~B~~d=ø22~Easy access~16~RMG12-G606~ TuC~TuC~FPM~PN25(PN16)~AISI316~FPM~-20/+120(140)°C~Pos. 433.02
	3618723288	Mechanical seal~Kit complete~~~25-60~B~~d=ø22~Easy access~18~RMG12-G606~ TuC~Ca~EPDM~PN25(PN16)~AISI316~EPDM 559236 (SPECIAL)~-20/+120(140)°C~Pos. 433.02
	3618723281	Mechanical seal~Kit complete~~~25-60~B~~d=ø22~Easy access~24~MG12-G60~ SiC~SiC~FPM~PN10~AISI316~FPM~-20/+120°C~Pos. 433.02
681	3618700612	Coupling guard~Kit~~~25~B~Stc.115~AISI304~~~Pos. 681
	3618700613	Coupling guard~Kit~~~25-60~B~Stc.130/149.2(up to 5hp)~AISI304~~~Pos. 681
	3618700615	Coupling guard~Kit~~~DPV(C/S)25~B~Stc.265/149.2(7.5-30hp)~AISI304~~~Pos. 681
862	3618702001	Coupling~Kit~~~25-85~B~d=ø22 D=ø38~JS1030~~~Pos. 862
	3618702002	Coupling~Kit~~~25-85~B~d=ø22 D=ø42~JS1030~~~Pos. 862
	3618702003	Coupling~Kit~~~25-85~B~d=ø22 D=ø48~JS1030~~~Pos. 862
	3618702004	Coupling~Kit~~~25-85~B~d=ø22 D=ø55~JS1030~~~Pos. 862
	3618702005	Coupling~Kit~~~25-85~B~d=ø22 D=ø34.9~JS1030~~~Pos. 862
	3618702006	Coupling~Kit~~~25-85~B~d=ø22 D=ø41.3~JS1030~~~Pos. 862
	3618702007	Coupling~Kit~~~25-85~B~d=ø22 D=ø47.6~JS1030~~~Pos. 862
	3618702008	Coupling~Kit~~~25~B~d=ø22 D=ø24~Aluminium~~~Pos. 862
	3618702009	Coupling~Kit~~~25-60~B~d=ø22 D=ø28~Aluminium~~~Pos. 862
903.01	3618700004	Screwed plug~Kit~~~2-85~B~C=G 3/8~AISI316/FPM/EPDM/HNBR~(WRAS)~DIN910~Pos. 903.01

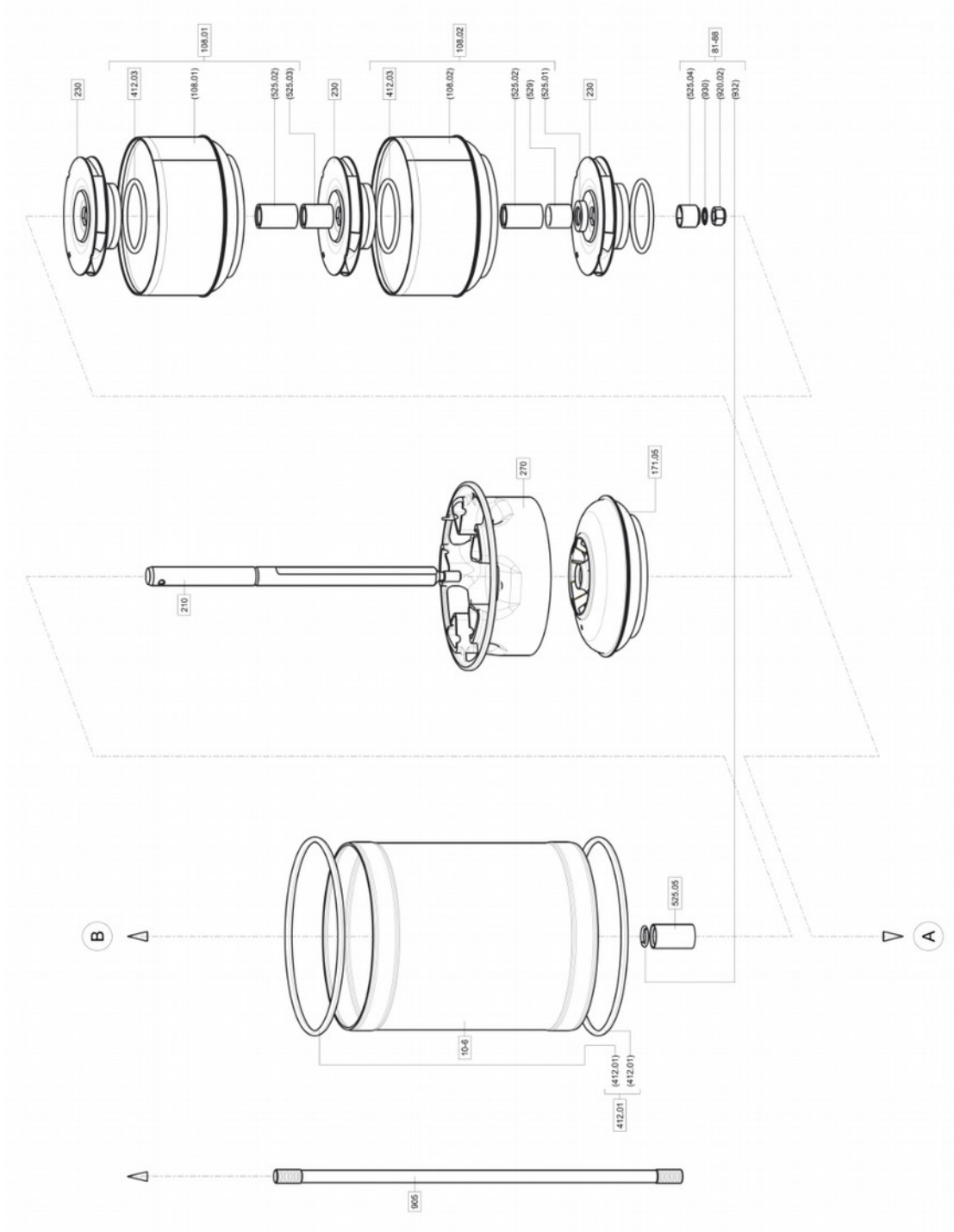


Drawing-no. SP2040304

MULTI VS_N 40-60 Pump casing



Pos.nr.	Art.nr.	Component description
101	3613400033	Pump casing~Interchange~~~40~B~p=PN16/25 C=NW80~AISI316/JS1030~~DIN~Pos. 101
	3613400035	Pump casing~~~~40~B~p=PN16/25 C=NW80~AISI316/JS1030~~DIN~Pos. 101
	3613400036	Pump casing~~~~40~B~p=PN40 C=NW80~AISI316~~Pos. 101
	3613400041	Pump casing~~~~40~B~p=PN16/25 C=NW80~AISI316/AISI304~~DIN~Pos. 101
	3613400042	Pump casing~~~~40~B~p=Class250 C=NPS 3~AISI316/JS1030~~ASME~Pos. 101
	3613600033	Pump casing~~~~40/60~B~p=PN16 C=NW100~AISI316/JS1030~~DIN~Pos. 101
	3613600035	Pump casing~~~~40/60~B~p=PN25/Class250 C=NW100~AISI316/JS1030~~DINASME~Pos. 101
	3613600036	Pump casing~~~~40/60~B~p=PN40 C=NW100~AISI316~~Pos. 101
	3613600040	Pump casing~~~~40/60~B~p=PN16 C=NW100~AISI316/AISI304~~DIN~Pos. 101
3613600041	Pump casing~~~~40/60~B~p=PN25 C=NW100~AISI316/AISI304~~DIN~Pos. 101	
131	3613400090	Inletring~~~~40~B~D=ø189 H=57~AISI316~~Pos. 131
	3613600090	Inletring~~~~60~B~D=ø190 H=57~AISI316~~Pos. 131
400	3618703730	Gasket kit~Round~~~40~85~B~~C-4324~~Klingersil~Pos. 400
	3618703731	Gasket kit~Round~~~40~B~C=NW80~C-4324~~Klingersil~Pos. 400
723	3618703723	Flange kit~counter round~~~40~B~NW80 x G 3 BI~AISI316~~EN1092-1 TYPE13 PN16~Pos. 723
	3618703724	Flange kit~counter round~~~40~B~NW80 x G 3 BI~AISI316~~EN1092-1 TYPE13 PN25/40~Pos. 723
	3618703728	Flange kit~counter round~~~40~85~B~NW100 x G 4 BI~AISI316~~EN1092-1 TYPE13 PN25/40~Pos. 723
	3618703729	Flange kit~counter round~~~40~85~B~NW100 x G 4 BI~AISI316~~EN1092-1 TYPE13 PN16~Pos. 723
	3618703750	Flange kit~counter round~~~40~B~NW65 x G 5/2 BI (SPECIAL)~ST.37~ELVZ.~Pos. 723
	3618703751	Flange kit~counter round~~~40~B~NW80(8 holes) x G 3~AISI304~~EN1092-1 TYPE13 PN25/40~Pos. 723
	3618703752	Flange kit~counter round~65~A~60/85~B~NW100(8holes) x G 4~ST.37~ELVZ.~EN1092-1 TYPE13 PN16~Pos. 723
	3618703753	Flange kit~counter round~~~60~85~B~NW100(8 holes) x G 4~AISI304~~EN1092-1 TYPE13 PN25/40~Pos. 723
890	3618400043	Baseplate fabricated or cast~Interchange~~~40~B~L=306 B=230 H=53~JS1030~RAL9011~Pos. 890
	3618600043	Baseplate fabricated or cast~~~~40/60~B~L=306 B=230 H=78~JS1030~RAL9011~Pos. 890
903.02	3618700001	Screwed plug~Kit~~~2~85~B~C=G 1/4~AISI316/FPM/EPDM/HNBR~(WRAS)~DIN910~Pos. 903.02



Drawing-no. SP2040100

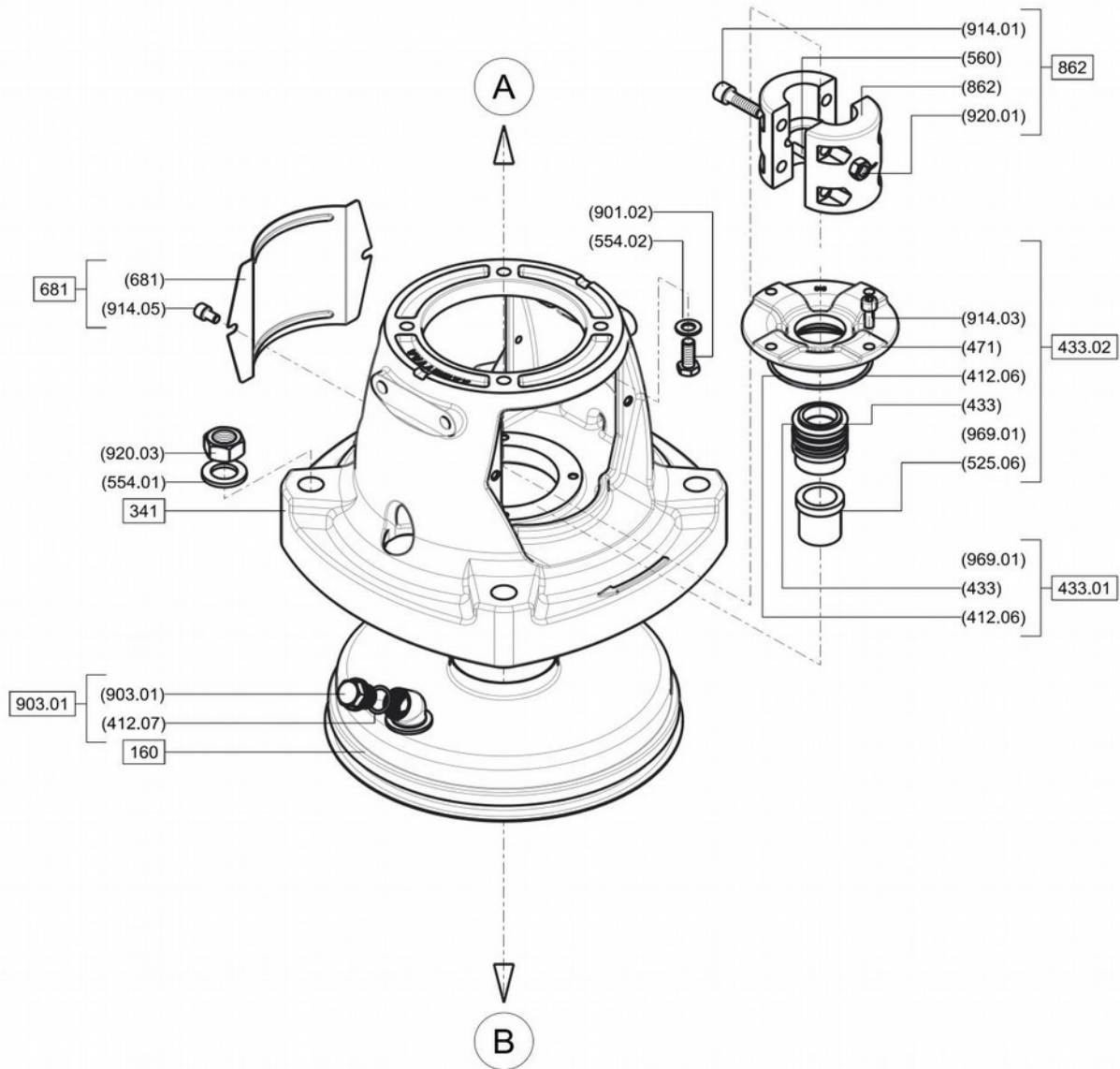
Pos.nr.	Art.nr.	Component description
10-6	3613600341	Pump shroud~40/60-1~B~D=ø220.3 L=110 s=1.0~AISI316~PN16~Pos. 10-6
	3613600342	Pump shroud~40/60-2~B~D=ø220.3 L=188 s=1.0~AISI316~PN16~Pos. 10-6
	3613600343	Pump shroud~40/60-3~B~D=ø220.3 L=266 s=1.0~AISI316~PN16~Pos. 10-6
	3613600344	Pump shroud~40/60-4~B~D=ø220.3 L=344 s=1.0~AISI316~PN16~Pos. 10-6
	3613600345	Pump shroud~40/60-5~B~D=ø220.3 L=422 s=1.0~AISI316~PN16~Pos. 10-6
	3613600346	Pump shroud~40/60-6~B~D=ø220.3 L=500 s=1.0~AISI316~PN16~Pos. 10-6
	3613602341	Pump shroud~40/60-1~B~D=ø220.3 L=110 s=2.5~AISI316~PN40~Pos. 10-6
	3613602342	Pump shroud~40/60-2~B~D=ø220.3 L=188 s=2.5~AISI316~PN40~Pos. 10-6
	3613602343	Pump shroud~40/60-3~B~D=ø220.3 L=266 s=2.5~AISI316~PN40~Pos. 10-6
	3613602344	Pump shroud~40/60-4~B~D=ø220.3 L=344 s=2.5~AISI316~PN40~Pos. 10-6
	3613602345	Pump shroud~40/60-5~B~D=ø220.3 L=422 s=2.5~AISI316~PN40~Pos. 10-6
	3613602346	Pump shroud~40/60-6~B~D=ø220.3 L=500 s=2.5~AISI316~PN40~Pos. 10-6
	3613602347	Pump shroud~40/60-7~B~D=ø220.3 L=578 s=2.5~AISI316~PN40~Pos. 10-6
	3613602348	Pump shroud~40/60-8~B~D=ø220.3 L=656 s=2.5~AISI316~PN40~Pos. 10-6
	3613602349	Pump shroud~40/60-9~B~D=ø220.3 L=734 s=2.5~AISI316~PN40~Pos. 10-6
3613602350	Pump shroud~40/60-10~B~D=ø220.3 L=812 s=2.5~AISI316~PN40~Pos. 10-6	
108.01	3618709068	Stage casing~Kit~40~B~AISI316/FPM/EPDM/HNBR~(WRAS/NSF)~Pos. 108.01
	3618709087	Stage casing~kit~60~B~AISI316/FPM/EPDM/HNBR~(WRAS/NSF)~Revision kit~Pos. 108.01
108.02	3618709067	Stage casing~with bearing - kit~40~B~AISI316/FPM/EPDM/HNBR~(WRAS/NSF)~Pos. 108.02
	3618709069	Stage casing~with bearing - kit~60~B~AISI316/FPM/EPDM/HNBR~(WRAS/NSF)~Pos. 108.02
171.05	3618400291	Diffuser~Upper~40~B~D=ø190 H=62.2~AISI304~Pos. 171.05
	3618600291	Diffuser~Upper~60~B~D=ø190 H=61~AISI304~Pos. 171.05
210	3613600561	Shaft~40/60-1~B~D=ø22 L=213~AISI329~Pos. 210
	3613600562	Shaft~40/60-2~B~D=ø22 L=291~AISI329~Pos. 210
	3613600563	Shaft~40/60-3~B~D=ø22 L=369~AISI329~Pos. 210
	3613600564	Shaft~40/60-4~B~D=ø22 L=447~AISI329~Pos. 210
	3613600565	Shaft~40/60-5~B~D=ø22 L=525~AISI329~Pos. 210
	3613600566	Shaft~40/60-6~B~D=ø22 L=603~AISI329~Pos. 210
	3613600567	Shaft~40/60-7~B~D=ø22 L=681~AISI329~Pos. 210
	3613600568	Shaft~40/60-8~B~D=ø22 L=759~AISI329~Pos. 210
	3613600569	Shaft~40/60-9~B~D=ø22 L=837~AISI329~Pos. 210
	3613600570	Shaft~40/60-10~B~D=ø22 L=915~AISI329~Pos. 210
230.01	3613400300	Impeller~40~B~D=ø137.3 H=35.7~AISI316~Pos. 230.01
	3613600300	Impeller~60~B~D=ø140.5 H=39.2~AISI316~Pos. 230.01
230.02	3613400301	Impeller~Reduced head~40~B~D=ø137 H=35.7~AISI316~Pos. 230.02
	3613600301	Impeller~Reduced head~60~B~D=ø140.5 H=39.2~AISI316~Pos. 230.02
270	3613600292	Deflector~Crown~40/60~B~D=ø222.3 H=81.2~AISI316~Pos. 270
412.01	3618700047	O-ring~kit - for shroud~40/60~B~d=ø227.97 T=6.99~EPDM WRAS/NSF~70 Shore (2 pcs)~Pos. 412.01
	3618700048	O-ring~kit - for shroud~40/60~B~d=ø227.97 T=6.99~FPM~Green~60 Shore (2 pcs)~Pos. 412.01
	3618700049	O-ring~kit - for shroud~40/60~B~d=ø227.97 T=6.99~HNBR~Yellow~70 Shore (2 pcs)~Pos. 412.01
	3618700050	O-ring~kit - for shroud~40/60~B~d=ø227.97 T=6.99~EPDM 559236 (SPECIAL)~70 Shore (2 pcs)~Pos. 412.01
412.03	3618700051	O-ring~kit - for stage casing~40~B~d=ø69.22 T=5.33~EPDM WRAS/NSF~70 Shore (6 pcs)~Pos. 412.03
	3618700052	O-ring~kit - for stage casing~40~B~d=ø69.22 T=5.33~FPM~70 Shore (6 pcs)~Pos. 412.03
	3618700053	O-ring~kit - for stage casing~40~B~d=ø69.22 T=5.33~HNBR~70 Shore (6 pcs)~Pos. 412.03
	3618700054	O-ring~kit - for stage casing~60~B~d=ø77 T=5.33~EPDM WRAS/NSF~70 Shore (6 pcs)~Pos. 412.03
	3618700055	O-ring~kit - for stage casing~60~B~d=ø77 T=5.33~FPM~70 Shore (6 pcs)~Pos. 412.03
	3618700056	O-ring~kit - for stage casing~60~B~d=ø77 T=5.33~HNBR~70 Shore (6 pcs)~Pos. 412.03
525.05	3613400191	Spacer sleeve~Seal - Single stage~40~B~D=ø28 d=ø22.15 L=13.24~AISI316~Pos. 525.05
	3613600191	Spacer sleeve~Seal - Single stage~60~B~D=ø28 d=ø22.15 L=12~AISI316~Pos. 525.05
	3618250190	Spacer sleeve~Seal~25/60~B~D=ø28 d=ø22.15 L=44~AISI303~Pos. 525.05
	3618400190	Spacer sleeve~Seal~40~B~D=ø28 d=ø22.15 L=45.24~AISI303~Pos. 525.05
81-88	18706003	Shaft end~Kit~24/32/45/65~A~25-85~B~D=ø22~AISI316~Revision kit~Pos. 81-88

MULTI VS N 40 Hydraulic Assembly

Pos.nr.	Art.nr.	Kit description
200	3618737101	Hydraulic assembly kit~~~~40/1-1~B~D=ø187 L=213~AISI316/EPDM WRAS~~Pos. 200
	3618737102	Hydraulic assembly kit~~~~40/1~B~D=ø187 L=213~AISI316/EPDM WRAS~~Pos. 200
	3618737103	Hydraulic assembly kit~~~~40/2-2~B~D=ø187 L=291~AISI316/EPDM WRAS~~Pos. 200
	3618737104	Hydraulic assembly kit~~~~40/2~B~D=ø187 L=291~AISI316/EPDM WRAS~~Pos. 200
	3618737105	Hydraulic assembly kit~~~~40/3-2~B~D=ø187 L=369~AISI316/EPDM WRAS~~Pos. 200
	3618737106	Hydraulic assembly kit~~~~40/3~B~D=ø187 L=369~AISI316/EPDM WRAS~~Pos. 200
	3618737107	Hydraulic assembly kit~~~~40/4-2~B~D=ø187 L=447~AISI316/EPDM WRAS~~Pos. 200
	3618737108	Hydraulic assembly kit~~~~40/4~B~D=ø187 L=447~AISI316/EPDM WRAS~~Pos. 200
	3618737109	Hydraulic assembly kit~~~~40/5-2~B~D=ø187 L=525~AISI316/EPDM WRAS~~Pos. 200
	3618737110	Hydraulic assembly kit~~~~40/5~B~D=ø187 L=525~AISI316/EPDM WRAS~~Pos. 200
	3618737111	Hydraulic assembly kit~~~~40/6-2~B~D=ø187 L=603~AISI316/EPDM WRAS~~50/60Hz~Pos. 200
	3618737112	Hydraulic assembly kit~~~~40/6~B~D=ø187 L=603~AISI316/EPDM WRAS~~50/60Hz~Pos. 200
	3618737113	Hydraulic assembly kit~~~~40/7-2~B~D=ø187 L=681~AISI316/EPDM WRAS~~50/60Hz~Pos. 200
	3618737114	Hydraulic assembly kit~~~~40/7~B~D=ø187 L=681~AISI316/EPDM WRAS~~50/60Hz~Pos. 200
	3618737115	Hydraulic assembly kit~~~~40/8-2~B~D=ø187 L=759~AISI316/EPDM WRAS~~50/60Hz~Pos. 200
	3618737116	Hydraulic assembly kit~~~~40/8~B~D=ø187 L=759~AISI316/EPDM WRAS~~50/60Hz~Pos. 200
	3618737117	Hydraulic assembly kit~~~~40/9-2~B~D=ø187 L=837~AISI316/EPDM WRAS~~50/60Hz~Pos. 200
	3618737118	Hydraulic assembly kit~~~~40/9~B~D=ø187 L=837~AISI316/EPDM WRAS~~50/60Hz~Pos. 200
	3618737119	Hydraulic assembly kit~~~~40/10-2~B~D=ø187 L=915~AISI316/EPDM WRAS~~50/60Hz~Pos. 200
	3618737120	Hydraulic assembly kit~~~~40/10~B~D=ø187 L=915~AISI316/EPDM WRAS~~50/60Hz~Pos. 200
	3618737201	Hydraulic assembly kit~~~~40/1-1~B~D=ø187 L=213~AISI316/FPM~~Pos. 200
	3618737202	Hydraulic assembly kit~~~~40/2~B~D=ø187 L=291~AISI316/FPM~~Pos. 200
	3618737203	Hydraulic assembly kit~~~~40/2-2~B~D=ø187 L=291~AISI316/FPM~~Pos. 200
	3618737204	Hydraulic assembly kit~~~~40/2~B~D=ø187 L=291~AISI316/FPM~~Pos. 200
	3618737205	Hydraulic assembly kit~~~~40/3-2~B~D=ø187 L=369~AISI316/FPM~~Pos. 200
	3618737206	Hydraulic assembly kit~~~~40/3~B~D=ø187 L=369~AISI316/FPM~~Pos. 200
	3618737207	Hydraulic assembly kit~~~~40/4-2~B~D=ø187 L=447~AISI316/FPM~~Pos. 200
	3618737208	Hydraulic assembly kit~~~~40/4~B~D=ø187 L=447~AISI316/FPM~~Pos. 200
	3618737209	Hydraulic assembly kit~~~~40/5-2~B~D=ø187 L=525~AISI316/FPM~~Pos. 200
	3618737210	Hydraulic assembly kit~~~~40/5~B~D=ø187 L=525~AISI316/FPM~~Pos. 200
	3618737211	Hydraulic assembly kit~~~~40/6-2~B~D=ø187 L=603~AISI316/FPM~~50/60Hz~Pos. 200
	3618737212	Hydraulic assembly kit~~~~40/6~B~D=ø187 L=603~AISI316/FPM~~50/60Hz~Pos. 200
	3618737213	Hydraulic assembly kit~~~~40/7-2~B~D=ø187 L=681~AISI316/FPM~~50/60Hz~Pos. 200
	3618737214	Hydraulic assembly kit~~~~40/7~B~D=ø187 L=681~AISI316/FPM~~50/60Hz~Pos. 200
	3618737215	Hydraulic assembly kit~~~~40/8-2~B~D=ø187 L=759~AISI316/FPM~~50/60Hz~Pos. 200
	3618737216	Hydraulic assembly kit~~~~40/8~B~D=ø187 L=759~AISI316/FPM~~50/60Hz~Pos. 200
	3618737217	Hydraulic assembly kit~~~~40/9-2~B~D=ø187 L=837~AISI316/FPM~~50/60Hz~Pos. 200
	3618737218	Hydraulic assembly kit~~~~40/9~B~D=ø187 L=837~AISI316/FPM~~50/60Hz~Pos. 200
	3618737219	Hydraulic assembly kit~~~~40/10-2~B~D=ø187 L=915~AISI316/FPM~~50/60Hz~Pos. 200
	3618737220	Hydraulic assembly kit~~~~40/10~B~D=ø187 L=915~AISI316/FPM~~50/60Hz~Pos. 200

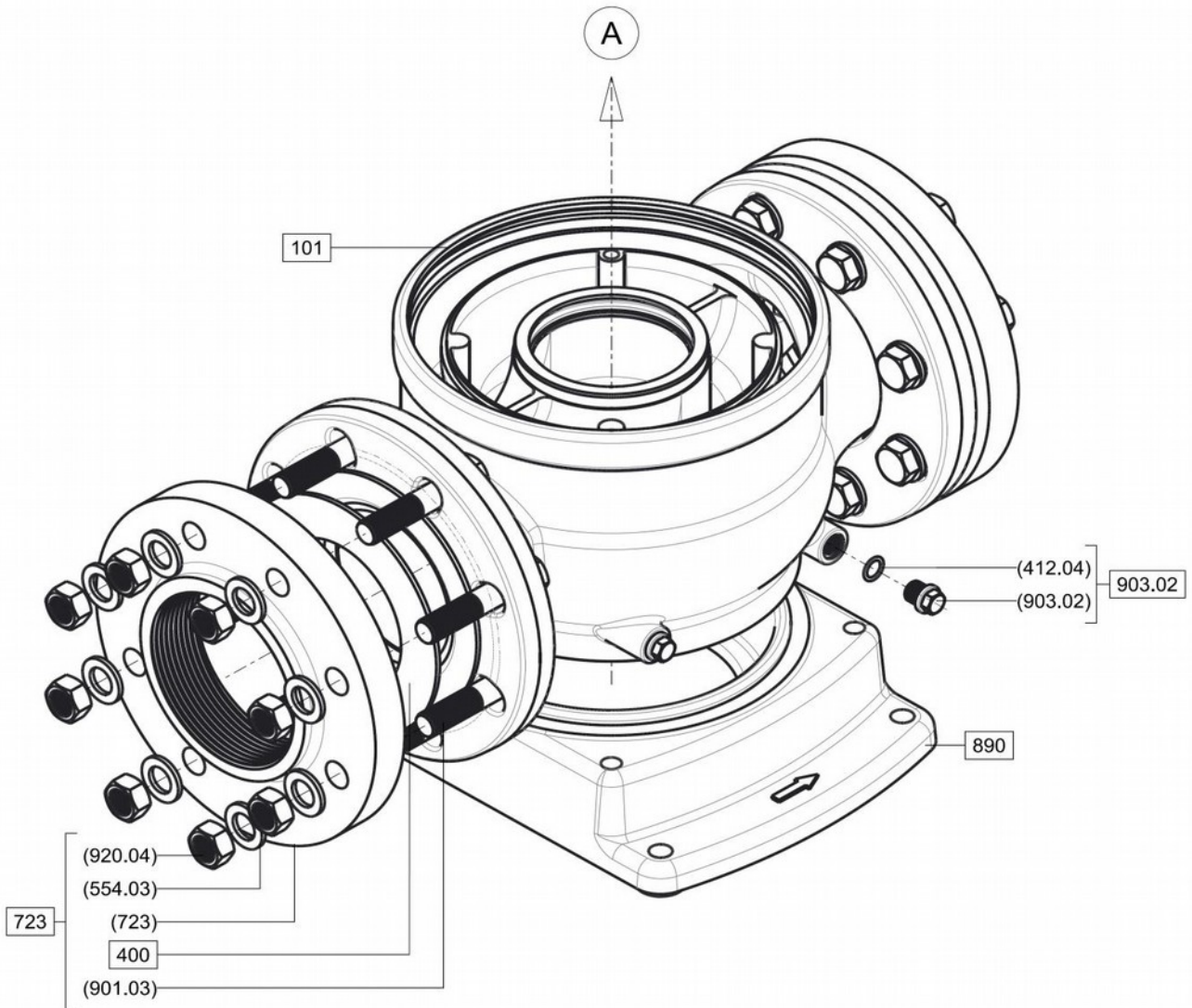
MULTI VS_N 60 Hydraulic Assembly

Pos.nr.	Art.nr.	Component description
200	3618738101	Hydraulic assembly kit~60/1-1~B~D=ø187 L=213~AISI316/EPDM WRAS~Pos. 200
	3618738102	Hydraulic assembly kit~60/1~B~D=ø187 L=213~AISI316/EPDM WRAS~Pos. 200
	3618738103	Hydraulic assembly kit~60/2-2~B~D=ø187 L=291~AISI316/EPDM WRAS~Pos. 200
	3618738104	Hydraulic assembly kit~60/2~B~D=ø187 L=291~AISI316/EPDM WRAS~Pos. 200
	3618738105	Hydraulic assembly kit~60/3-2~B~D=ø187 L=369~AISI316/EPDM WRAS~Pos. 200
	3618738106	Hydraulic assembly kit~60/3~B~D=ø187 L=369~AISI316/EPDM WRAS~Pos. 200
	3618738107	Hydraulic assembly kit~60/4-2~B~D=ø187 L=447~AISI316/EPDM WRAS~Pos. 200
	3618738108	Hydraulic assembly kit~60/4~B~D=ø187 L=447~AISI316/EPDM WRAS~Pos. 200
	3618738109	Hydraulic assembly kit~60/5-2~B~D=ø187 L=525~AISI316/EPDM WRAS~Pos. 200
	3618738110	Hydraulic assembly kit~60/5~B~D=ø187 L=525~AISI316/EPDM WRAS~Pos. 200
	3618738111	Hydraulic assembly kit~60/6-2~B~D=ø187 L=603~AISI316/EPDM WRAS~50/60Hz~Pos. 200
	3618738112	Hydraulic assembly kit~60/6~B~D=ø187 L=603~AISI316/EPDM WRAS~50/60Hz~Pos. 200
	3618738113	Hydraulic assembly kit~60/7-2~B~D=ø187 L=681~AISI316/EPDM WRAS~50/60Hz~Pos. 200
	3618738114	Hydraulic assembly kit~60/7~B~D=ø187 L=681~AISI316/EPDM WRAS~50/60Hz~Pos. 200
	3618738115	Hydraulic assembly kit~60/8-2~B~D=ø187 L=759~AISI316/EPDM WRAS~50/60Hz~Pos. 200
	3618738116	Hydraulic assembly kit~60/8~B~D=ø187 L=759~AISI316/EPDM WRAS~50/60Hz~Pos. 200
	3618738117	Hydraulic assembly kit~60/9-2~B~D=ø187 L=837~AISI316/EPDM WRAS~50/60Hz~Pos. 200
	3618738201	Hydraulic assembly kit~60/1-1~B~D=ø187 L=213~AISI316/FPM~Pos. 200
	3618738202	Hydraulic assembly kit~60/1~B~D=ø187 L=213~AISI316/FPM~Pos. 200
	3618738203	Hydraulic assembly kit~60/2-2~B~D=ø187 L=291~AISI316/FPM~Pos. 200
	3618738204	Hydraulic assembly kit~60/2~B~D=ø187 L=291~AISI316/FPM~Pos. 200
	3618738205	Hydraulic assembly kit~60/3-2~B~D=ø187 L=369~AISI316/FPM~Pos. 200
	3618738206	Hydraulic assembly kit~60/3~B~D=ø187 L=369~AISI316/FPM~Pos. 200
	3618738207	Hydraulic assembly kit~60/4-2~B~D=ø187 L=447~AISI316/FPM~Pos. 200
	3618738208	Hydraulic assembly kit~60/4~B~D=ø187 L=447~AISI316/FPM~Pos. 200
	3618738209	Hydraulic assembly kit~60/5-2~B~D=ø187 L=525~AISI316/FPM~Pos. 200
	3618738210	Hydraulic assembly kit~60/5~B~D=ø187 L=525~AISI316/FPM~Pos. 200
	3618738211	Hydraulic assembly kit~60/6-2~B~D=ø187 L=603~AISI316/FPM~50/60Hz~Pos. 200
	3618738212	Hydraulic assembly kit~60/6~B~D=ø187 L=603~AISI316/FPM~50/60Hz~Pos. 200
	3618738213	Hydraulic assembly kit~60/7-2~B~D=ø187 L=681~AISI316/FPM~50/60Hz~Pos. 200
	3618738214	Hydraulic assembly kit~60/7~B~D=ø187 L=681~AISI316/FPM~50/60Hz~Pos. 200
	3618738215	Hydraulic assembly kit~60/8-2~B~D=ø187 L=759~AISI316/FPM~50/60Hz~Pos. 200
	3618738216	Hydraulic assembly kit~60/8~B~D=ø187 L=759~AISI316/FPM~50/60Hz~Pos. 200
	3618738217	Hydraulic assembly kit~60/9-2~B~D=ø187 L=837~AISI316/FPM~50/60Hz~Pos. 200



Drawing-no. SP2040220

Pos.nr.	Art.nr.	Component description
160	3613601290	Cover~Cartridge/EA seal~~~40/60~B~D=ø240 H=58~AIS1316~~Pos. 160
341	3618600024	Motor stool~~~40/60~B~Stc.130~JS1030~RAL5002~Pos. 341
	3618600029	Motor stool~~~40/60~B~Stc.265~JS1030~RAL5002~Pos. 341
	3618600095	Motor stool~NEMA~~~40/60~B~Stc.184.2 (up to 7.5hp)~JS1030~RAL5002~Pos. 341
	3618600096	Motor stool~NEMA~~~40/60~B~Stc.184.2 (10-20hp)~JS1030~RAL5002~Pos. 341
	3618600097	Motor stool~NEMA~~~40/60~B~Stc.228.6 (25/30hp)~JS1030~RAL5002~Pos. 341
	3618600099	Motor stool~NEMA~~~40/60~B~Stc.279.4 (40-60hp)~JS1030~RAL5002~Pos. 341
433.01	3618723153	Mechanical seal~Revision kit~~~25-60~B~~d=ø22~Easy access~13~RMG12-G606~ SiC~Ca~EPDM WRAS~PN25~~EPDM WRAS/ACS/NSF~-20/+100°C~Pos. 433.01
	3618723183	Mechanical seal~Revision kit~~~25-60~B~~d=ø22~Easy access~14~RMG12-G606~ SiC~Ca~FPM~PN25~~FPM~-20/+120°C~Pos. 433.01
	3618723176	Mechanical seal~Revision kit~~~25-60~B~~d=ø22~Easy access~15~RMG12-G606~ TuC~TuC~HNBR~PN25(PN16)~~HNBR~-20/+120(140)°C~Pos. 433.01
	3618723177	Mechanical seal~Revision kit~~~25-60~B~~d=ø22~Easy access~16~RMG12-G606~ TuC~TuC~FPM~PN25(PN16)~~FPM~-20/+120(140)°C~Pos. 433.01
	3618723188	Mechanical seal~Revision kit~~~25-60~B~~d=ø22~Easy access~18~RMG12-G606~ TuC~Ca~EPDM~PN25(PN16)~~EPDM 559236 (SPECIAL)~-20/+120(140)°C~Pos. 433.01
	3618723181	Mechanical seal~Revision kit~~~25-60~B~~d=ø22~Easy access~24~MG12-G60~ SiC~SiC~FPM~PN10~~FPM~-20/+120°C~Pos. 433.01
	3618723182	Mechanical seal~Revision kit~~~25-60~B~~d=ø22~Easy access~29~MG12-G60~ SiC~SiC~EPDM~PN10~~EPDM~-20/+100°C~Pos. 433.01
433.02	3618723253	Mechanical seal~Kit complete~~~25-60~B~~d=ø22~Easy access~13~RMG12-G606~ SiC~Ca~EPDM WRAS~PN25~AIS1316~EPDM WRAS/ACS/NSF~-20/+100°C~Pos. 433.02
	3618723283	Mechanical seal~Kit complete~~~25-60~B~~d=ø22~Easy access~14~RMG12-G606~ SiC~Ca~FPM~PN25~AIS1316~FPM~-20/+120°C~Pos. 433.02
	3618723276	Mechanical seal~Kit complete~~~25-60~B~~d=ø22~Easy access~15~RMG12-G606~ TuC~TuC~HNBR~PN25(PN16)~AIS1316~HNBR~-20/+120(140)°C~Pos. 433.02
	3618723277	Mechanical seal~Kit complete~~~25-60~B~~d=ø22~Easy access~16~RMG12-G606~ TuC~TuC~FPM~PN25(PN16)~AIS1316~FPM~-20/+120(140)°C~Pos. 433.02
	3618723288	Mechanical seal~Kit complete~~~25-60~B~~d=ø22~Easy access~18~RMG12-G606~ TuC~Ca~EPDM~PN25(PN16)~AIS1316~EPDM 559236 (SPECIAL)~-20/+120(140)°C~Pos. 433.02
	3618723281	Mechanical seal~Kit complete~~~25-60~B~~d=ø22~Easy access~24~MG12-G60~ SiC~SiC~FPM~PN10~AIS1316~FPM~-20/+120°C~Pos. 433.02
	3618723282	Mechanical seal~Kit complete~~~25-60~B~~d=ø22~Easy access~29~MG12-G60~ SiC~SiC~EPDM~PN10~AIS1316~EPDM~-20/+100°C~Pos. 433.01
681	3618700613	Coupling guard~Kit~~~25-60~B~Stc.130/149.2(up to 5hp)~AIS1304~~~Pos. 681
	3618700615	Coupling guard~Kit~~~25~B~Stc.265/149.2(7.5-30hp)~AIS1304~~~Pos. 681
	3618700815	Coupling guard~Kit~~~40-85~B~Stc.265/279.4~AIS1304~~~Pos. 681
862	3618702001	Coupling~Kit~~~25-85~B~d=ø22 D=ø38~JS1030~~~Pos. 862
	3618702002	Coupling~Kit~~~25-85~B~d=ø22 D=ø42~JS1030~~~Pos. 862
	3618702003	Coupling~Kit~~~25-85~B~d=ø22 D=ø48~JS1030~~~Pos. 862
	3618702004	Coupling~Kit~~~25-85~B~d=ø22 D=ø55~JS1030~~~Pos. 862
	3618702005	Coupling~Kit~~~25-85~B~d=ø22 D=ø34.9~JS1030~~~Pos. 862
	3618702006	Coupling~Kit~~~25-85~B~d=ø22 D=ø41.3~JS1030~~~Pos. 862
	3618702007	Coupling~Kit~~~25-85~B~d=ø22 D=ø47.6~JS1030~~~Pos. 862
	3618702009	Coupling~Kit~~~25-60~B~d=ø22 D=ø28~Aluminium~~~Pos. 862
	903.01	3618700004

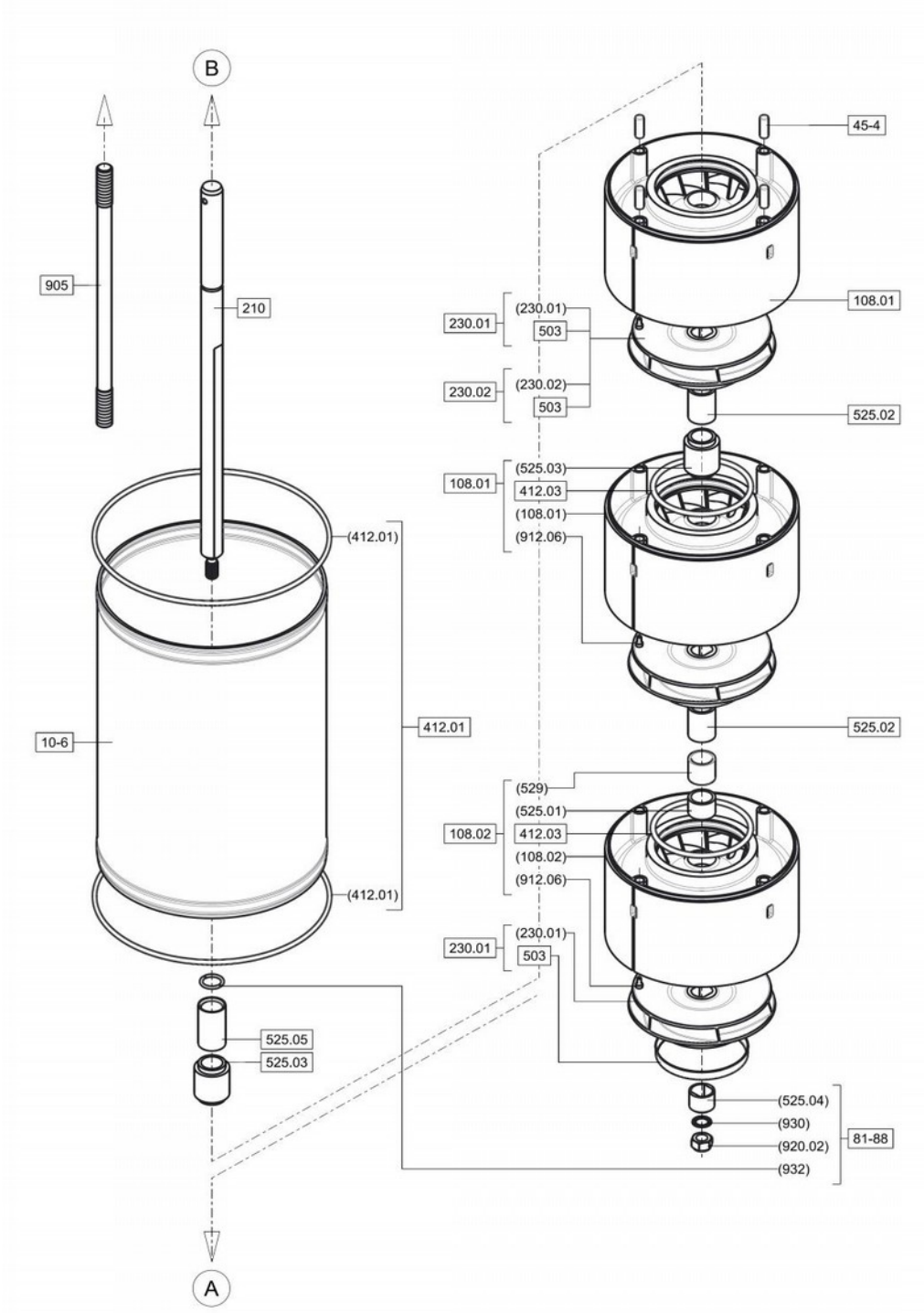


Drawing-no. SP2085304

MULTI VS_N 85 Pump casing



Pos.nr.	Art.nr.	Component description
101	3613850036	Pump casing~~~85-B~p=PN16 C=NW100~AISI316/JS1030~DIN/ASME~Pos. 101
	3613850037	Pump casing~~~85-B~p=PN25/40 C=NW100~AISI316/JS1030~DIN/JIS/ASME~Pos. 101
	3613850040	Pump casing~~~85-B~p=PN16 C=NW100~AISI316/AISI304~DIN/ASME~Pos. 101
	3613850041	Pump casing~~~85-B~p=PN25/40 C=NW100~AISI316/AISI304~DIN/JIS/ASME~Pos. 101
723	3618703728	Flange kit~counter round~~~40-85-B~NW100 x G 4 Bl~AISI316~~EN1092-1 TYPE13 PN25/40~Pos. 723
	3618703729	Flange kit~counter round~~~40-85-B~NW100 x G 4 Bl~AISI316~~EN1092-1 TYPE13 PN16~Pos. 723
	3618703752	Flange kit~counter round~65~A~V(C)F60/85-B~NW100(8holes) x G 4~ST.37~ELVZ.~EN1092-1 TYPE13 PN16~Pos. 723
	3618703753	Flange kit~counter round~~~60-85-B~NW100(8 holes) x G 4~AISI304~~EN1092-1 TYPE13 PN25/40~Pos. 723
890	3618850043	Baseplate~~~85-B~H=70~JL1040~RAL9011~Pos. 890
	3618850056	Baseplate~~~85-B~H=70~AISI304~Pos. 890
903.02	3618700001	Screwed plug~Kit~~~2-85-B~C=G 1/4~AISI316/FPM/EPDM/HNBR~(WRAS)~DIN910~Pos. 903.02

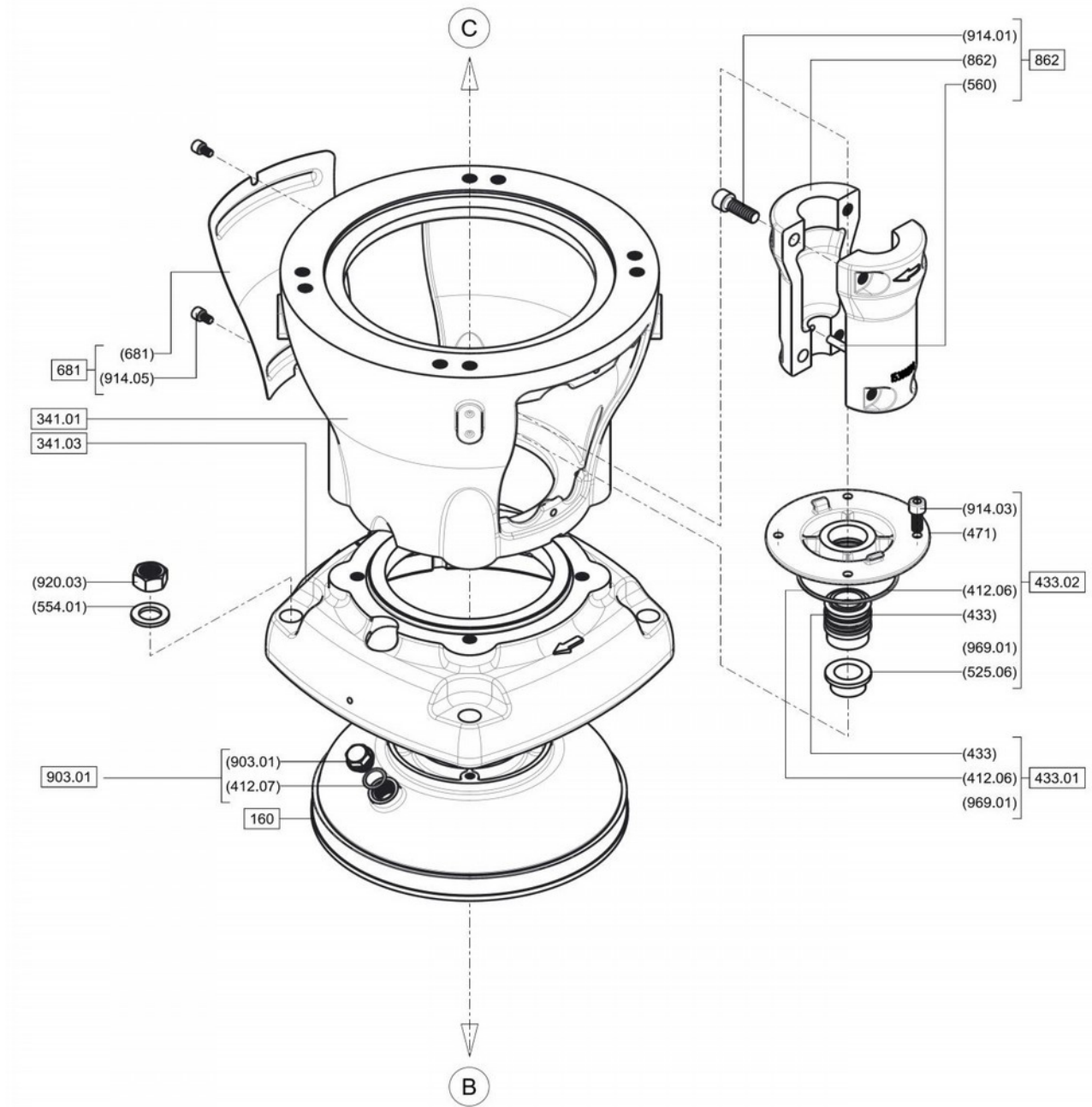


Drawing-no. SP2085100

Pos.nr.	Art.nr.	Component description
10-6	3613850341	Pump shroud~~~85/1~B~D=ø236 L=129~AISI316~Pos. 10-6
	3613850342	Pump shroud~~~85/2~B~D=ø236 L=238~AISI316~Pos. 10-6
	3613850343	Pump shroud~~~85/3~B~D=ø236 L=347~AISI316~Pos. 10-6
	3613850344	Pump shroud~~~85/4~B~D=ø236 L=456~AISI316~Pos. 10-6
	3613850345	Pump shroud~~~85/5~B~D=ø236 L=565~AISI316~Pos. 10-6
	3613850346	Pump shroud~~~85/6~B~D=ø236 L=674~AISI316~Pos. 10-6
108.01	3618709043	Stage casing~Kit~~~85~B~~AISI316/FPM/EPDM/HNBR~(WRAS/NSF)~Revision kit~Pos. 108.01
108.02	3618709042	Stage casing~With bearing - kit~~~85~B~~AISI316/FPM/EPDM/HNBR~(WRAS/NSF)~Revision kit~Pos. 108.02
210	3613850561	Shaft~~~85/1~B~D=ø22 L=284~AISI329~Pos. 210
	3613850562	Shaft~~~85/2~B~D=ø22 L=393~AISI329~Pos. 210
	3613850563	Shaft~~~85/3~B~D=ø22 L=502~AISI329~Pos. 210
	3613850564	Shaft~~~85/4~B~D=ø22 L=611~AISI329~Pos. 210
	3613850565	Shaft~~~85/5~B~D=ø22 L=720~AISI329~Pos. 210
	3613850566	Shaft~~~85/6~B~D=ø22 L=829~AISI329~Pos. 210
230.01	3613850300	Impeller~~~85~B~D=ø149 H=45.9~AISI316~Pos. 230.01
230.02	3613850301	Impeller~Reduced head~~~85~B~D=ø138.7 H=45.5~AISI316~Pos. 230.02
412.01	3618700010	O-ring~kit - for shroud~~~85~B~d=ø234.32 T=5.33~EPDM WRAS/NSF~~70 Shore (2 pcs)~Pos. 412.01
	3618700011	O-ring~kit - for shroud~~~85~B~d=ø234.32 T=5.33~FPM~Green~70 Shore (2 pcs)~Pos. 412.01
	3618700012	O-ring~kit - for shroud~~~85~B~d=ø234.32 T=5.33~HNBR~Yellow~70 Shore (2 pcs)~Pos. 412.01
	3618700013	O-ring~kit - for shroud~~~85~B~d=ø234.32 T=5.33~EPDM 559236 (SPECIAL)~~70 Shore (2 pcs)~Pos. 412.01
412.03	3618850210	O-ring~For stage casing~~~85~B~d=ø94.62 T=5.33~EPDM 55985 WRAS/KTW/DVGW-W270~~70 Shore~Pos. 412.03
	3618850211	O-ring~For stage casing~~~85~B~d=ø94.62 T=5.33~FPM 51414~Green~70 Shore~Pos. 412.03
	3618850212	O-ring~For stage casing~~~85~B~d=ø94.62 T=5.33~HNBR~Yellow~70 Shore~Pos. 412.03
45-4	3618850010	Spacer~~~~85~B~D=ø8 L=25~EPDM 55985 WRAS/KTW/DVGW-W270~~70 Shore~Pos. 45-4
	3618850011	Spacer~~~~85~B~D=ø8 L=25~FPM~~70 Shore~Pos. 45-4
	3618850012	Spacer~~~~85~B~D=ø8 L=25~HNBR~~70 Shore~Pos. 45-4
503	3613850311	Impeller wear ring~~~85~B~D=ø92.3 H=10.5~AISI316~Pos. 503
525.02	13660378	Spacer sleeve~Middle~65~A~VS85~B~D=ø28 d=ø22.15 L=37~AISI316~Pos. 525.02
525.03	13330375	Spacer sleeve~Long~24/32/45~A~~~D=ø28 d=ø22.15 L=44.5~AISI316~Pos. 525.03
525.05	13330190	Spacer sleeve~Seal~24/32/45-20->200~A~VS85~B~D=ø28 d=ø22.08 L=38.5~AISI316~~~Pos. 525.05
81-88	18706003	Shaft end~Kit~24/32/45/65~A~V(C/S)25~85~B~D=ø22~AISI316~~Revision kit~Pos. 81-88
905	14160357	Tie bolt~~~85/1~B~L=357 C=M16~AISI431~Pos. 905
	14160466	Tie bolt~~~85/2~B~L=466 C=M16~AISI431~Pos. 905
	14160575	Tie bolt~~~85/3~B~L=575 C=M16~AISI431~Pos. 905
	14160684	Tie bolt~~~85/4~B~L=684 C=M16~AISI431~Pos. 905
	14160794	Tie bolt~65-80~A~85/5~B~L=794 C=M16~AISI431~Pos. 905
	14160907	Tie bolt~65-70~A~25/11 - 85/6~B~L=907 C=M16~AISI431~Pos. 905

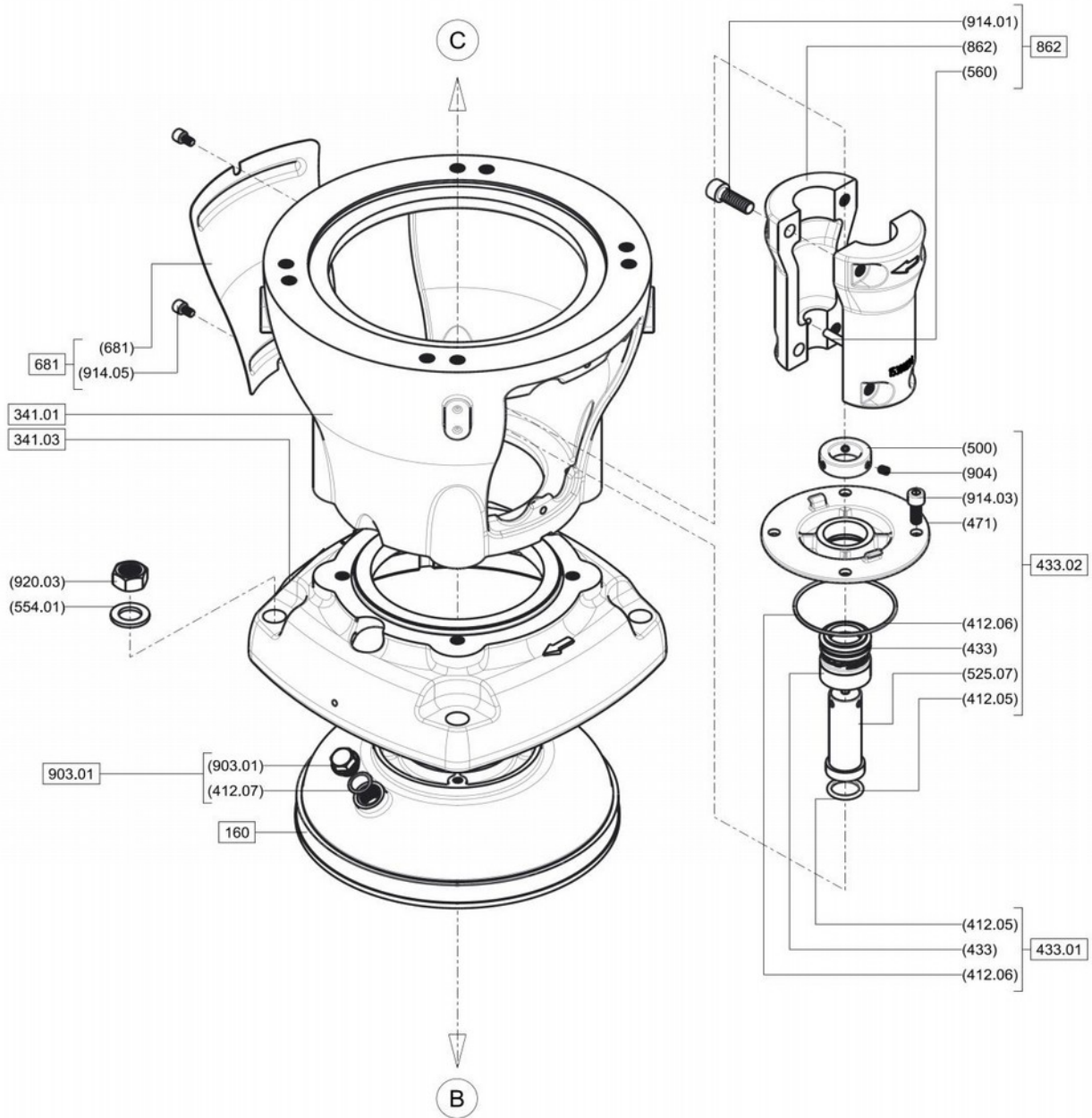
MULTI VS N 85 Hydraulic Assembly

Pos.nr.	Art.nr.	Kit description
200	3618739101	Hydraulic assembly kit~85/1-1-B-D=ø198 L=284~AIS1316/EPDM WRAS~50/60Hz~Pos. 200
	3618739102	Hydraulic assembly kit~85/1-B-D=ø198 L=284~AIS1316/EPDM WRAS~50/60Hz~Pos. 200
	3618739103	Hydraulic assembly kit~85/2-2-B-D=ø198 L=393~AIS1316/EPDM WRAS~50/60Hz~Pos. 200
	3618739104	Hydraulic assembly kit~85/2-1-B-D=ø198 L=393~AIS1316/EPDM WRAS~50/60Hz~Pos. 200
	3618739105	Hydraulic assembly kit~85/2-B-D=ø198 L=393~AIS1316/EPDM WRAS~50/60Hz~Pos. 200
	3618739106	Hydraulic assembly kit~85/3-2-B-D=ø198 L=502~AIS1316/EPDM WRAS~50/60Hz~Pos. 200
	3618739107	Hydraulic assembly kit~85/3-1-B-D=ø198 L=502~AIS1316/EPDM WRAS~50/60Hz~Pos. 200
	3618739108	Hydraulic assembly kit~85/3-B-D=ø198 L=502~AIS1316/EPDM WRAS~50/60Hz~Pos. 200
	3618739109	Hydraulic assembly kit~85/4-2-B-D=ø198 L=611~AIS1316/EPDM WRAS~50/60Hz~Pos. 200
	3618739110	Hydraulic assembly kit~85/4-1-B-D=ø198 L=611~AIS1316/EPDM WRAS~50/60Hz~Pos. 200
	3618739111	Hydraulic assembly kit~85/4-B-D=ø198 L=611~AIS1316/EPDM WRAS~50/60Hz~Pos. 200
	3618739112	Hydraulic assembly kit~85/5-2-B-D=ø198 L=720~AIS1316/EPDM WRAS~50/60Hz~Pos. 200
	3618739113	Hydraulic assembly kit~85/5-1-B-D=ø198 L=720~AIS1316/EPDM WRAS~50/60Hz~Pos. 200
	3618739114	Hydraulic assembly kit~85/5-B-D=ø198 L=720~AIS1316/EPDM WRAS~50/60Hz~Pos. 200
	3618739115	Hydraulic assembly kit~85/6-2-B-D=ø198 L=829~AIS1316/EPDM WRAS~50/60Hz~Pos. 200
	3618739116	Hydraulic assembly kit~85/6-1-B-D=ø198 L=829~AIS1316/EPDM WRAS~50/60Hz~Pos. 200
	3618739117	Hydraulic assembly kit~85/6-B-D=ø198 L=829~AIS1316/EPDM WRAS~50/60Hz~Pos. 200
	3618739201	Hydraulic assembly kit~85/1-1-B-D=ø198 L=284~AIS1316/FPM~50/60Hz~Pos. 200
	3618739202	Hydraulic assembly kit~85/1-B-D=ø198 L=284~AIS1316/FPM~50/60Hz~Pos. 200
	3618739203	Hydraulic assembly kit~85/2-2-B-D=ø198 L=393~AIS1316/FPM~50/60Hz~Pos. 200
	3618739204	Hydraulic assembly kit~85/2-1-B-D=ø198 L=393~AIS1316/FPM~50/60Hz~Pos. 200
	3618739205	Hydraulic assembly kit~85/2-B-D=ø198 L=393~AIS1316/FPM~50/60Hz~Pos. 200
	3618739206	Hydraulic assembly kit~85/3-2-B-D=ø198 L=502~AIS1316/FPM~50/60Hz~Pos. 200
	3618739207	Hydraulic assembly kit~85/3-1-B-D=ø198 L=502~AIS1316/FPM~50/60Hz~Pos. 200
	3618739208	Hydraulic assembly kit~85/3-B-D=ø198 L=502~AIS1316/FPM~50/60Hz~Pos. 200
	3618739209	Hydraulic assembly kit~85/4-2-B-D=ø198 L=611~AIS1316/FPM~50/60Hz~Pos. 200
	3618739210	Hydraulic assembly kit~85/4-1-B-D=ø198 L=611~AIS1316/FPM~50/60Hz~Pos. 200
	3618739211	Hydraulic assembly kit~85/4-B-D=ø198 L=611~AIS1316/FPM~50/60Hz~Pos. 200
	3618739212	Hydraulic assembly kit~85/5-2-B-D=ø198 L=720~AIS1316/FPM~50/60Hz~Pos. 200
	3618739213	Hydraulic assembly kit~85/5-1-B-D=ø198 L=720~AIS1316/FPM~50/60Hz~Pos. 200
	3618739214	Hydraulic assembly kit~85/5-B-D=ø198 L=720~AIS1316/FPM~50/60Hz~Pos. 200
	3618739215	Hydraulic assembly kit~85/6-2-B-D=ø198 L=829~AIS1316/FPM~50/60Hz~Pos. 200
	3618739216	Hydraulic assembly kit~85/6-1-B-D=ø198 L=829~AIS1316/FPM~50/60Hz~Pos. 200
	3618739217	Hydraulic assembly kit~85/6-B-D=ø198 L=829~AIS1316/FPM~50/60Hz~Pos. 200



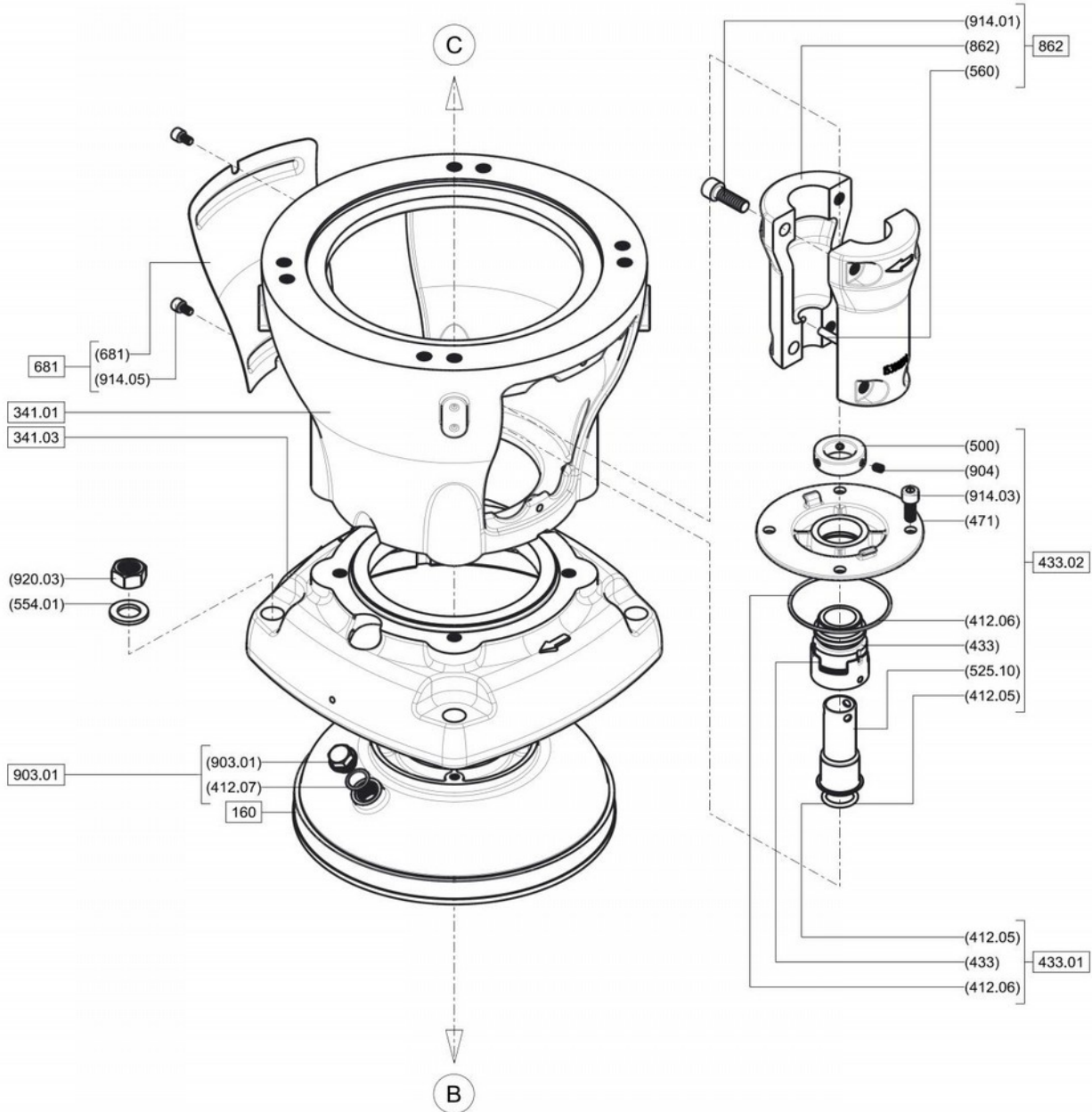
Drawing-no. SP2085224

Pos.nr.	Art.nr.	Component description
160	3613850290	Cover~~~85~B~D=ø250.4 H=85.2~AIS1316~~Pos. 160
341.01	3618850020	Motor Stool~Upper (with holes)~~~85~B~Stc.265 (max. 45kW)~JL1040~RAL5002~~Pos. 341.01
	3618850029	Motor stool~Upper~~~85~B~Stc.265 (max. 45kW)~JL1040~RAL5002~Pos. 341.01
341.03	3618850019	Motor stool~Lower~~~85~B~B=270 D=270 H=86~JL1040~Pos. 341.03
433.01	3618722153	Mechanical seal~Revision kit~85~B~~d=ø22~Easy access~13~RMG12-G606~SiC~Ca~EPDM WRAS~PN25~~EPDM WRAS/ACS/NSF~-20/+100°C~Pos. 433.01
	3618722183	Mechanical seal~Revision kit~85~B~~d=ø22~Easy access~14~RMG12-G606~ SiC~Ca~FPM~PN25~~FPM~-20/+120°C~Pos. 433.01
	3618722176	Mechanical seal~Revision kit~85~B~~d=ø22~Easy access~15~RMG12-G606~TuC~TuC~HNBR~PN25(PN16)~~HNBR~-20/+120(140)°C~Pos. 433.01
	3618722177	Mechanical seal~Revision kit~85~B~~d=ø22~Easy access~16~RMG12-G606~TuC~TuC~FPM~PN25(PN16)~~FPM~-20/+120(140)°C~Pos. 433.01
	3618722188	Mechanical seal~Revision kit~85~B~~d=ø22~Easy access~18~RMG12-G606~TuC~Ca~EPDM~PN25(PN16)~~EPDM 559236 (SPECIAL)~-20/+120(140)°C~Pos. 433.01
	3618722181	Mechanical seal~Revision kit~~~85~B~~d=ø22~Easy access~24~MG12-G60~SiC~SiC~FPM~PN10~~FPM~-20/+120°C~Pos. 433.01
	3618722186	Mechanical seal~Revision kit~~~85~B~~d=ø22~Easy access~28~MG12-G60~SiC~SiC~HNBR~PN10~~HNBR~-20/+120°C~Pos. 433.01
	3618722182	Mechanical seal~Revision kit~~~85~B~~d=ø22~Easy access~29~MG12-G60~SiC~SiC~EPDM~PN10~~EPDM~-20/+100°C~Pos. 433.01
433.02	3618722253	Mechanical seal~Kit complete~~~85~B~~d=ø22~Easy access~13~RMG12-G606~ SiC~Ca~EPDM WRAS~PN25~AIS1316~EPDM WRAS/ACS/NSF~-20/+100°C~Pos. 433.02
	3618722283	Mechanical seal~Kit complete~~~85~B~~d=ø22~Easy access~14~RMG12-G606~SiC~Ca~FPM~PN25~AIS1316~FPM~-20/+120°C~Pos. 433.02
	3618722276	Mechanical seal~Kit complete~~~85~B~~d=ø22~Easy access~15~RMG12-G606~TuC~TuC~HNBR~PN25(PN16)~AIS1316~HNBR~-20/+120(140)°C~Pos. 433.02
	3618722277	Mechanical seal~Kit complete~~~85~B~~d=ø22~Easy access~16~RMG12-G606~TuC~TuC~FPM~PN25(PN16)~AIS1316~FPM~-20/+120(140)°C~Pos. 433.02
	3618722288	Mechanical seal~Kit complete~~~85~B~~d=ø22~Easy access~18~RMG12-G606~TuC~Ca~EPDM~PN25(PN16)~AIS1316~EPDM 559236 (SPECIAL)~-20/+120(140)°C~Pos. 433.02
	3618722281	Mechanical seal~Kit complete~~~85~B~~d=ø22~Easy access~24~MG12-G60~SiC~SiC~FPM~PN10~AIS1316~FPM~-20/+120°C~Pos. 433.02
	3618722286	Mechanical seal~Kit complete~~~85~B~~d=ø22~Easy access~28~MG12-G60~SiC~SiC~HNBR~PN10~AIS1316~HNBR~-20/+120°C~Pos. 433.02
	3618722282	Mechanical seal~Kit complete~~~85~B~~d=ø22~Easy access~29~MG12-G60~SiC~SiC~EPDM~PN10~AIS1316~EPDM~-20/+100°C~Pos. 433.02
681	3618700215	Coupling guard~Kit~~~40-85~B~Stc.149.2 (7.5-30hp)~AIS1304~~~Pos. 681
	3618700815	Coupling guard~Kit~~~40-85~B~Stc.265/279.4~AIS1304~~~Pos. 681
862	3618702001	Coupling~Kit~~~25-85~B~d=ø22 D=ø38~JS1030~~~Pos. 862
	3618702002	Coupling~Kit~~~25-85~B~d=ø22 D=ø42~JS1030~~~Pos. 862
	3618702003	Coupling~Kit~~~25-85~B~d=ø22 D=ø48~JS1030~~~Pos. 862
	3618702004	Coupling~Kit~~~25-85~B~d=ø22 D=ø55~JS1030~~~Pos. 862
	3618702005	Coupling~Kit~~~25-85~B~d=ø22 D=ø34.9~JS1030~~~Pos. 862
	3618702006	Coupling~Kit~~~25-85~B~d=ø22 D=ø41.3~JS1030~~~Pos. 862
	3618702007	Coupling~Kit~~~25-85~B~d=ø22 D=ø47.6~JS1030~~~Pos. 862
903.01	3618700004	Screwed plug~Kit~~~2-85~B~C=G 3/8~AIS1316/FPM/EPDM/HNBR~(WRAS)~DIN910~Pos. 903.01



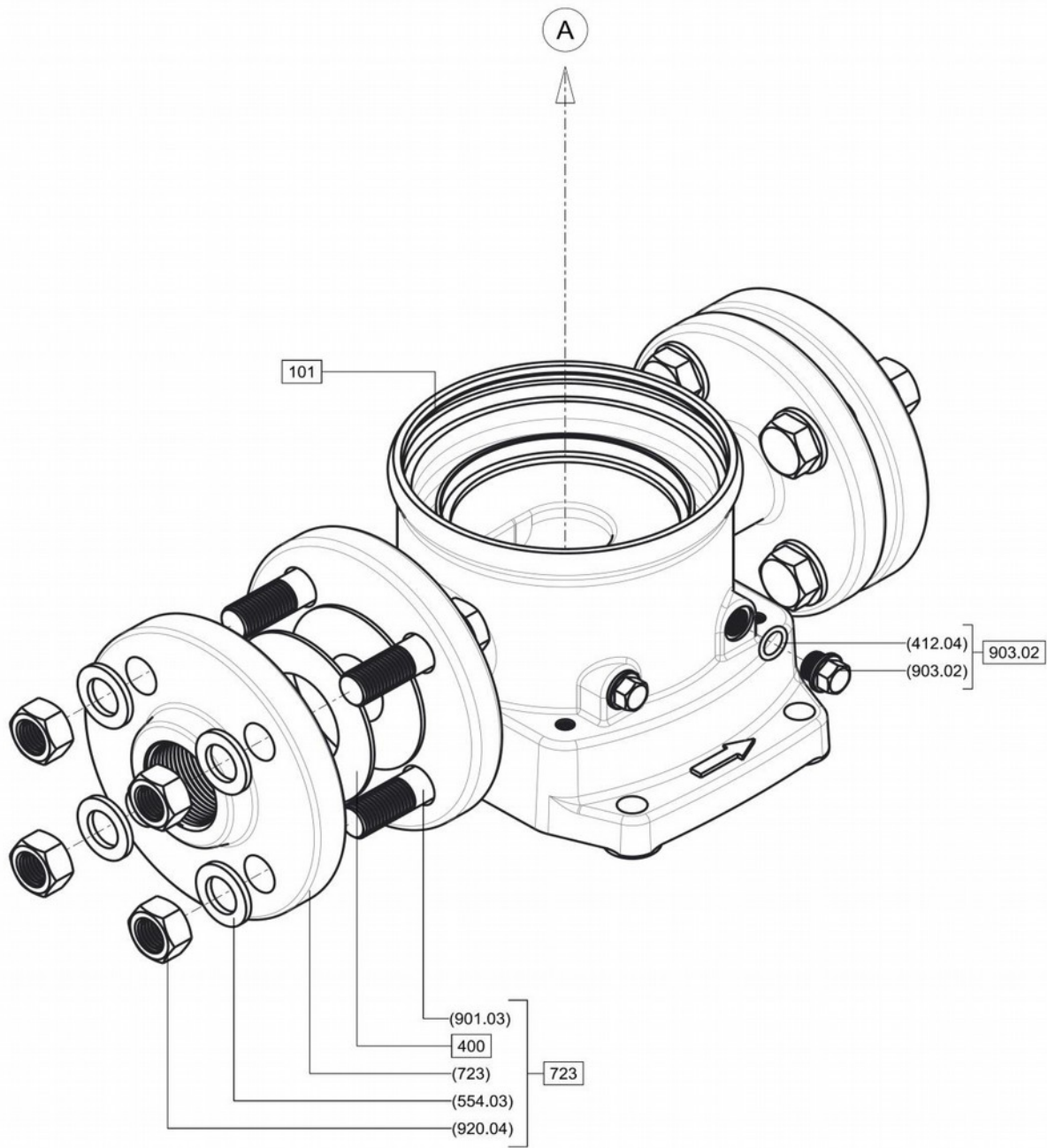
Drawing-no. SP2085234

Pos.nr.	Art.nr.	Component description
160	3613850290	Cover~~~85~B~D=ø250.4 H=85.2~AISI316~~Pos. 160
341.01	3618850020	Motor Stool~Upper (with holes)~~~85~B~Stc.265 (max. 45kW)~JL1040~RAL5002~~Pos. 341.01
	3618850029	Motor stool~Upper~~~85~B~Stc.265 (max. 45kW)~JL1040~RAL5002~Pos. 341.01
341.03	3618850019	Motor stool~Lower~~~85~B~B=270 D=270 H=86~JL1040~Pos. 341.03
433.01	3618726153	Mechanical seal~Cartridge revision kit~~~85~B~D=ø22~d=ø25~Cartridge~13~RMG12-G606~SiC~Ca~EPDM WRAS~PN25~~EPDM WRAS/ACS/NSF~-20/+100°C~Pos. 433.01
	3618726183	Mechanical seal~Cartridge revision kit~~~85~B~D=ø22~d=ø25~Cartridge~14~RMG12-G606~SiC~Ca~FPM~PN25~~FPM~-20/+120°C~Pos. 433.01
	3618726176	Mechanical seal~Cartridge revision kit~~~85~B~D=ø22~d=ø25~Cartridge~15~RMG12-G606~TuC~TuC~HNBR~PN25(PN16)~~HNBR~-20/+120(140)°C~Pos. 433.01
	3618726177	Mechanical seal~Cartridge revision kit~~~85~B~D=ø22~d=ø25~Cartridge~16~RMG12-G606~TuC~TuC~FPM~PN25(PN16)~~FPM~-20/+120(140)°C~Pos. 433.01
	3618726188	Mechanical seal~Cartridge revision kit~~~V(C/S)85~B~D=ø22~d=ø25~Cartridge~18~RMG12-G606~TuC~Ca~EPDM~PN25(PN16)~~EPDM 559236 (SPECIAL)~-20/+120(140)°C~Pos. 433.01
	3618726181	Mechanical seal~Cartridge revision kit~~~V(C/S)85~B~D=ø22~d=ø25~Cartridge~24~MG12-G60~SiC~SiC~FPM~PN10~~FPM~-20/+120°C~Pos. 433.01
	3618726186	Mechanical seal~Cartridge revision kit~~~V(C/S)85~B~D=ø22~d=ø25~Cartridge~28~MG12-G60~SiC~SiC~HNBR~PN10~~HNBR~-20/+120°C~Pos. 433.01
	3618726182	Mechanical seal~Cartridge revision kit~~~V(C/S)85~B~D=ø22~d=ø25~Cartridge~29~MG12-G60~SiC~SiC~EPDM~PN10~~EPDM~-20/+100°C~Pos. 433.01
433.02	3618726253	Mechanical seal~Cartridge kit assembled~~~85~B~D=ø22~d=ø25~Cartridge~13~RMG12-G606~SiC~Ca~EPDM WRAS~PN25~AISI316~EPDM WRAS/ACS/NSF~-20/+100°C~Pos. 433.02
	3618726283	Mechanical seal~Cartridge kit assembled~~~85~B~D=ø22~d=ø25~Cartridge~14~RMG12-G606~SiC~Ca~FPM~PN25~AISI316~FPM~-20/+120°C~Pos. 433.02
	3618726276	Mechanical seal~Cartridge kit assembled~~~85~B~D=ø22~d=ø25~Cartridge~15~RMG12-G606~TuC~TuC~HNBR~PN25(PN16)~AISI316~HNBR~-20/+120(140)°C~Pos. 433.02
	3618726277	Mechanical seal~Cartridge kit assembled~~~85~B~D=ø22~d=ø25~Cartridge~16~RMG12-G606~TuC~TuC~FPM~PN25(PN16)~AISI316~FPM~-20/+120(140)°C~Pos. 433.02
	3618726281	Mechanical seal~Cartridge kit assembled~~~85~B~D=ø22~d=ø25~Cartridge~24~MG12-G60~SiC~SiC~FPM~PN10~AISI316~FPM~-20/+120°C~Pos. 433.02
	3618726286	Mechanical seal~Cartridge kit assembled~~~85~B~D=ø22~d=ø25~Cartridge~28~MG12-G60~SiC~SiC~HNBR~PN10~AISI316~HNBR~-20/+120°C~Pos. 433.02
	3618726282	Mechanical seal~Cartridge kit assembled~~~85~B~D=ø22~d=ø25~Cartridge~29~MG12-G60~SiC~SiC~EPDM~PN10~AISI316~EPDM~-20/+100°C~Pos. 433.02
681	3618700215	Coupling guard~Kit~~~40~85~B~Stc.149.2 (7.5-30hp)~AISI304~~~Pos. 681
	3618700815	Coupling guard~Kit~~~40~85~B~Stc.265/279.4~AISI304~~~Pos. 681
862	3618702001	Coupling~Kit~~~25~85~B~d=ø22 D=ø38~JS1030~~~Pos. 862
	3618702002	Coupling~Kit~~~25~85~B~d=ø22 D=ø42~JS1030~~~Pos. 862
	3618702003	Coupling~Kit~~~25~85~B~d=ø22 D=ø48~JS1030~~~Pos. 862
	3618702004	Coupling~Kit~~~25~85~B~d=ø22 D=ø55~JS1030~~~Pos. 862
	3618702005	Coupling~Kit~~~25~85~B~d=ø22 D=ø34.9~JS1030~~~Pos. 862
	3618702006	Coupling~Kit~~~25~85~B~d=ø22 D=ø41.3~JS1030~~~Pos. 862
	3618702007	Coupling~Kit~~~25~85~B~d=ø22 D=ø47.6~JS1030~~~Pos. 862
903.01	3618700004	Screwed plug~Kit~~~2~85~B~C=G 3/8~AISI316/FPM/EPDM/HNBR~(WRAS)~DIN910~Pos. 903.01



Drawing-no. SP2085244

Pos.nr.	Art.nr.	Component description
160	3613850290	Cover~~~85~B~D=ø250.4 H=85.2~AISI316~~Pos. 160
341.01	3618850020	Motor Stool~Upper (with holes)~~~85~B~Stc.265 (max. 45kW)~JL1040~RAL5002~~Pos. 341.01
	3618850029	Motor stool~Upper~~~85~B~Stc.265 (max. 45kW)~JL1040~RAL5002~Pos. 341.01
341.03	3618850019	Motor stool~Lower~~~85~B~B=270 D=270 H=86~JL1040~Pos. 341.03
433.01	3618726175	Mechanical seal~Cartridge revision kit~~~85~B~D=ø22~d=ø25~Cartridge~20~H7N~SiC~Ca~EPDM~PN40(PN25)~~EPDM 559236 (SPECIAL)~-20/+120(140)°C~Pos. 433.01
	3618726172	Mechanical seal~Cartridge revision kit~~~85~B~D=ø22~d=ø25~Cartridge~21~H7N~SiC~Ca~FPM~PN40(PN25)~~FPM~-20/+120(140)°C~Pos. 433.01
	3618726174	Mechanical seal~Cartridge revision kit~~~85~B~D=ø22~d=ø25~Cartridge~22~H7N~SiC~Ca~HNBR~PN40(PN25)~~HNBR~-20/+120(140)°C~Pos. 433.01
433.02	3618726275	Mechanical seal~Cartridge kit assembled~~~85~B~D=ø22~d=ø25~Cartridge~20~H7N~SiC~Ca~EPDM~PN40(PN25)~AISI316~EPDM 559236 (SPECIAL)~-20/+120(140)°C~Pos. 433.02
	3618726272	Mechanical seal~Cartridge kit assembled~~~85~B~D=ø22~d=ø25~Cartridge~21~H7N~SiC~Ca~FPM~PN40(PN25)~AISI316~FPM~-20/+120(140)°C~Pos. 433.02
	3618726274	Mechanical seal~Cartridge kit assembled~~~85~B~D=ø22~d=ø25~Cartridge~22~H7N~SiC~Ca~HNBR~PN40(PN25)~AISI316~HNBR~-20/+120(140)°C~Pos. 433.02
681	3618700215	Coupling guard~Kit~~~40~85~B~Stc.149.2 (7.5-30hp)~AISI304~~~Pos. 681
	3618700815	Coupling guard~Kit~~~40~85~B~Stc.265/279.4~AISI304~~~Pos. 681
862	3618702001	Coupling~Kit~~~25~85~B~d=ø22 D=ø38~JS1030~~~Pos. 862
	3618702002	Coupling~Kit~~~25~85~B~d=ø22 D=ø42~JS1030~~~Pos. 862
	3618702003	Coupling~Kit~~~25~85~B~d=ø22 D=ø48~JS1030~~~Pos. 862
	3618702004	Coupling~Kit~~~25~85~B~d=ø22 D=ø55~JS1030~~~Pos. 862
	3618702005	Coupling~Kit~~~25~85~B~d=ø22 D=ø34.9~JS1030~~~Pos. 862
	3618702006	Coupling~Kit~~~25~85~B~d=ø22 D=ø41.3~JS1030~~~Pos. 862
	3618702007	Coupling~Kit~~~25~85~B~d=ø22 D=ø47.6~JS1030~~~Pos. 862
903.01	3618700004	Screwed plug~Kit~~~2~85~B~C=G 3/8~AISI316/FPM/EPDM/HNBR~(WRAS)~DIN910~Pos. 903.01

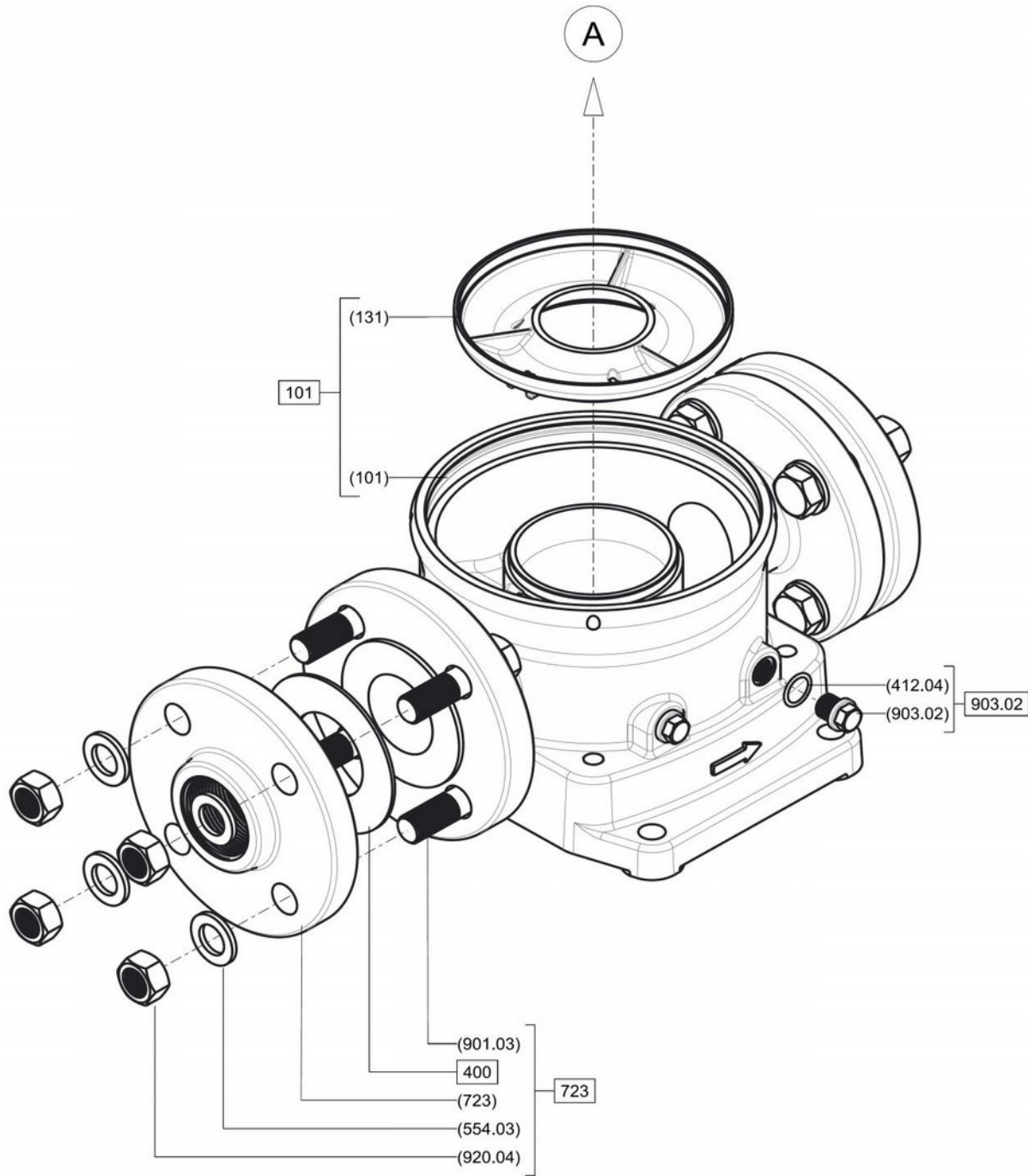


Drawing-no. SP2002303

MULTI VS_C 2-4-6 Pump casing



Pos.nr.	Art.nr.	Component description
101	3618040034	Pump casing~2/4~B~p=16K/Class250 C=JIS25/NPS 1~JL1040~RAL9011~JIS/ASME~Pos. 101
	3618040039	Pump casing~2/4~B~p=PN25/40 C=NW25~JL1040~RAL9011~DIN~Pos. 101
	3618060039	Pump casing~2/4/6~B~p=PN16/25/40 C=NW32~JL1040~RAL9011~DIN/JIS/ASME~Pos. 101
400	3618703705	Gasket kit~Round~2/4~B~C=NW25~C-4324~C=NW25~Pos. 400
	3618703706	Gasket kit~Round~2/4/6~B~C=NW32~C-4324~Klingersil~Pos. 400
723	3618703701	Flange kit~counter round~2/4~B~C=NW25 x G 1~AISI316~DIN PN16/25/40~Pos. 723
	3618703702	Flange kit~counter round~2/4/6~B~C=NW32 x G 5/4~AISI316~DIN PN16/25/40~Pos. 723
	3618703741	Flange kit~counter round~2~A~2/4~B~DN 25(4holes) x G 1~ST.37~ELVZ.~EN1092-1 TYPE13 PN16/25/40~Pos. 723
	3618703742	Flange kit~counter round~4~A~2/4/6~B~NW32(4holes) x G 5/4~ST.37~ELVZ.~EN1092-1 TYPE13 PN16/25/40~Pos. 723
903.02	3618700001	Screwed plug~Kit~2-85~B~C=G 1/4~AISI316/FPM/EPDM/HNBR~(WRAS)~DIN910~Pos. 903.02

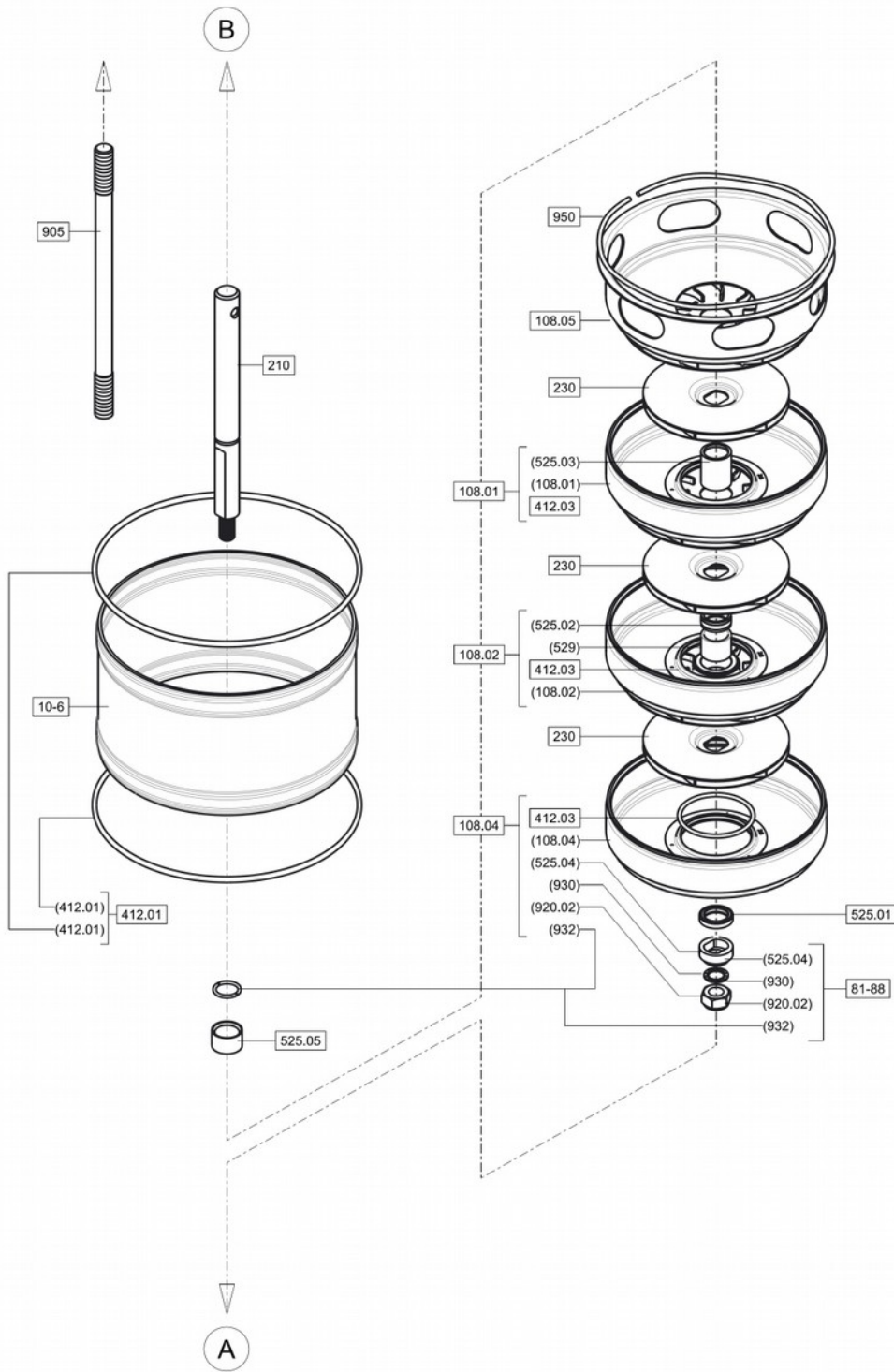


Drawing-no. SP2010303

MULTI VS_C 10-15 Pump casing



Pos.nr.	Art.nr.	Component description
101	3618703311	Pump casing~Kit~10~B~p=PN25/40 C=NPS 6/4~JL1040~RAL9011~ASME~Pos. 101
	3618703312	Pump casing~Kit~10/15~B~p=PN16/25/40 C=NW40~JL1040~RAL9011~DIN~Pos. 101
	3618703313	Pump casing~Kit~10/15~B~p=PN25/40 C=NPS 2~JL1040~RAL9011~ASME~Pos. 101
	3618703314	Pump casing~Kit~15~B~p=PN16/25/40 C=NW50~JL1040~RAL9011~DIN~Pos. 101
108.2	3618709054	Stage casing~with bearing - kit~15~B~AIS1316/FPM/EPDM/HNBR~(WRAS/NSF)~Revision kit~Pos. 108.02
400	3618703715	Gasket kit~Round~F10~B~C=NW40~C-4324~Klingersil~Pos. 400
	3618703716	Gasket kit~Round~F10/15~B~C=NW50~C-4324~Klingersil~Pos. 400
723	3618703711	Flange kit~Counter round~10~B~C=NW40 x G 6/4~AIS1316~DIN PN16/25/40~Pos. 723
	3618703712	Flange kit~Counter round~10/15~B~C=NW50 x G 2~AIS1316~DIN PN16~Pos. 723
	3618703743	Flange kit~counter round~VF10~A~10~B~NW40(4holes) x G 6/4~ST.37~ELVZ.~EN1092-1 TYPE13 PN16/25/40~Pos. 723
	3618703744	Flange kit~counter round~VF18~A~10/15~B~NW50(4holes) x G 2~ST.37~ELVZ.~EN1092-1 TYPE13 PN16~Pos. 723
	3618703745	Flange kit~counter round~10/15~B~NW50(4 holes) x G 2~AIS1304~EN1092-1 TYPE13 PN25/40~Pos. 723
903.02	3618700001	Screwed plug~Kit~2-85~B~C=G 1/4~AIS1316/FPM/EPDM/HNBR~(WRAS)~DIN910~Pos. 903.02



Drawing-no. SP2015100

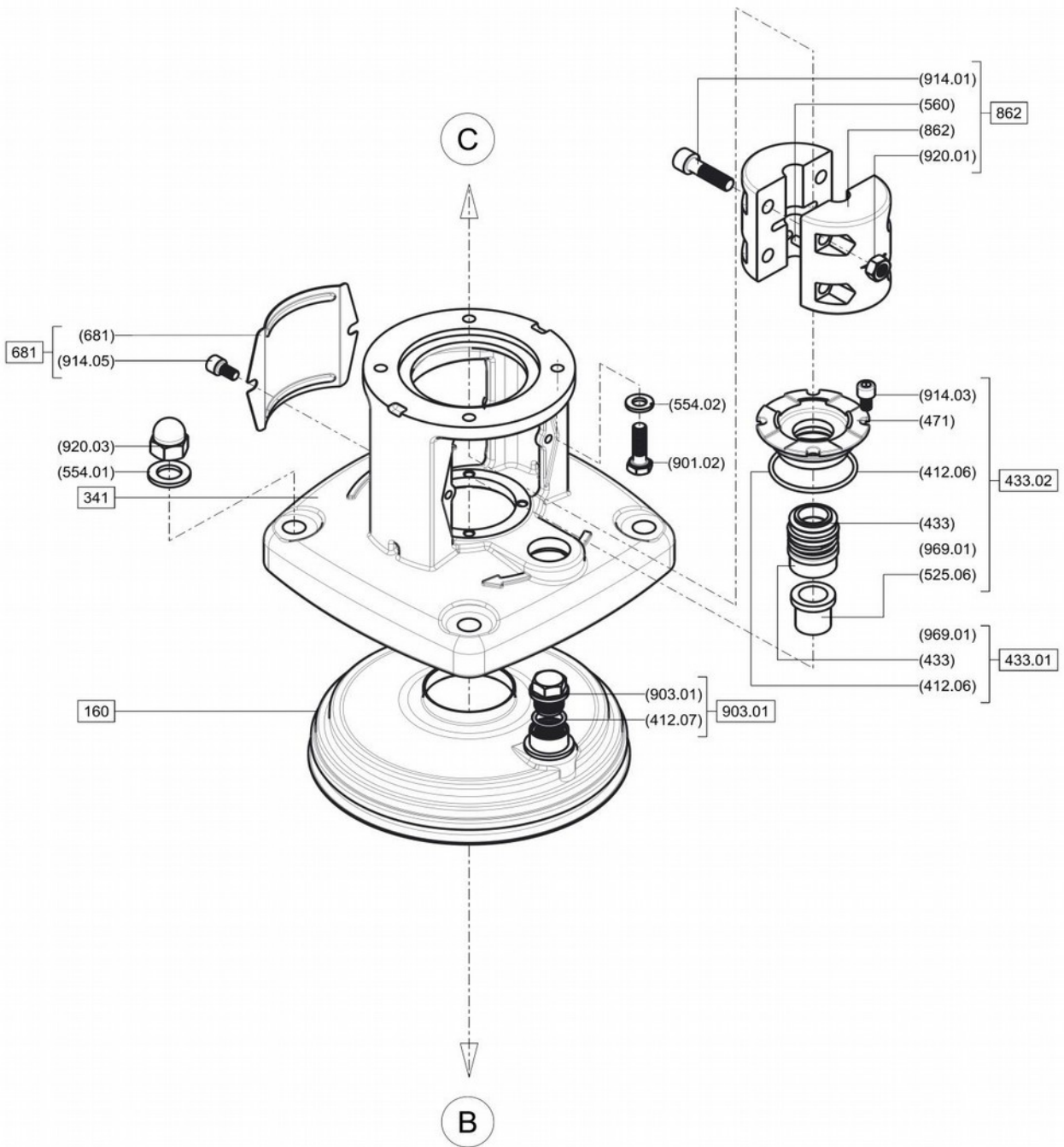
Pos.nr.	Art.nr.	Component description
10-6	3613100342	Pump shroud~10/15-1/2~B~D=ø169.3 L=96.08 s=2~AISI316~Pos. 10-6
	3613100343	Pump shroud~10/15-3~B~D=ø169.3 L=122.52 s=2~AISI316~Pos. 10-6
	3613100344	Pump shroud~10/15-4~B~D=ø169.3 L=148.96 s=2~AISI316~Pos. 10-6
	3613100345	Pump shroud~10/15-5~B~D=ø169.3 L=175.40 s=2~AISI316~Pos. 10-6
	3613100346	Pump shroud~10/15-6~B~D=ø169.3 L=201.84 s=2~AISI316~Pos. 10-6
	3613100347	Pump shroud~10/15-7~B~D=ø169.3 L=228.28 s=2~AISI316~Pos. 10-6
	3613100348	Pump shroud~10/15-8~B~D=ø169.3 L=254.72 s=2~AISI316~Pos. 10-6
	3613100349	Pump shroud~10/15-9~B~D=ø169.3 L=280.86 s=2.5~AISI316~Pos. 10-6
	3613100350	Pump shroud~10/15-10~B~D=ø169.3 L=307.30 s=2.5~AISI316~Pos. 10-6
	3613100351	Pump shroud~10/15-11~B~D=ø169.3 L=333.74 s=2.5~AISI316~Pos. 10-6
	3613100353	Pump shroud~10/15-13~B~D=ø169.3 L=386.62 s=2.5~AISI316~Pos. 10-6
	3613100355	Pump shroud~10/15-15~B~D=ø169.3 L=439.50 s=2.5~AISI316~Pos. 10-6
	3613100357	Pump shroud~10/15-17~B~D=ø169.3 L=492.38 s=2.5~AISI316~Pos. 10-6
	3613100359	Pump shroud~10/15-19~B~D=ø169.3 L=545.26 s=2.5~AISI316~Pos. 10-6
	3613100361	Pump shroud~10/15-21~B~D=ø169.3 L=598.14 s=2.5~AISI316~Pos. 10-6
108.01	3618709056	Stage casing~Kit~15~B~AISI316/FPM/EPDM/HNBR~(WRAS/NSF)~Revision kit~Pos. 108.01
108.04	3618709058	Stage casing~bottom - kit~15~B~AISI316/FPM/EPDM/HNBR~(WRAS/NSF)~Revision kit~Pos. 108.04
108.05	3613150291	Stage casing~Upper~15~B~D=ø152 H=51.3~AISI316~Pos. 108.05
210	3613100562	Shaft~10/15-1/2~B~D=ø16 L=179.5~AISI316~Pos. 210
	3613100563	Shaft~10/15-3~B~D=ø16 L=206~AISI316~Pos. 210
	3613100564	Shaft~10/15-4~B~D=ø16 L=232.5~AISI316~Pos. 210
	3613100565	Shaft~10/15-5~B~D=ø16 L=259~AISI316~Pos. 210
	3613100566	Shaft~10/15-6~B~D=ø16 L=285.5~AISI316~Pos. 210
	3613100567	Shaft~10/15-7~B~D=ø16 L=312~AISI316~Pos. 210
	3613100568	Shaft~10/15-8~B~D=ø16 L=338.5~AISI316~Pos. 210
	3613100569	Shaft~10/15-9~B~D=ø16 L=365~AISI316~Pos. 210
	3613100570	Shaft~10/15-10~B~D=ø16 L=391.5~AISI316~Pos. 210
	3613100571	Shaft~10/15-11~B~D=ø16 L=418~AISI329~Pos. 210
	3613100573	Shaft~10/15-13~B~D=ø16 L=471~AISI329~Pos. 210
	3613100575	Shaft~10/15-15~B~D=ø16 L=524~AISI329~Pos. 210
	3613100577	Shaft~10/15-17~B~D=ø16 L=577~AISI329~Pos. 210
	3613100579	Shaft~10/15-19~B~D=ø16 L=630~AISI329~Pos. 210
	3613100581	Shaft~10/15-21~B~D=ø16 L=683~AISI329~Pos. 210
230	3613150300	Impeller~15~B~D=ø110 H=15.3~AISI316~Pos. 230
412.01	3618700030	O-ring-kit - for shroud~10/15~B~d=ø172 T=4~EPDM WRAS/NSF~70 Shore (2 pcs)~Pos. 412.01
	3618700031	O-ring-kit - for shroud~10/15~B~d=ø172 T=4~FPM~Green~70 Shore (2 pcs)~Pos. 412.01
	3618700032	O-ring-kit - for shroud~10/15~B~d=ø172 T=4~HNBR~Yellow~70 Shore (2 pcs)~Pos. 412.01
	3618700033	O-ring-kit - for shroud~10/15~B~d=ø172 T=4~EPDM 559236 (SPECIAL)~70 Shore (2 pcs)~Pos. 412.01
525.01	3613100378	Spacer sleeve~Short~10/15~B~D=ø22 d=ø16.15 L=4.65~AISI316~Pos. 525.01
525.05	3613150190	Spacer sleeve~Seal~15~B~D=ø20 d=ø16.15 L=10.9~AISI316~Pos. 525.05
525.08	3618709063	De-staging~Kit~15~B~AISI316~Pos. 525.08
81-88	18706002	Shaft end~Kit~10-18 / LHS6~A~V(C/S)10/15~B~D=ø16~AISI316~Revision kit~Pos. 81-88
905	14120217	Tie bolt~10/15-1/2~B~L=217 C=M12~AISI431~Pos. 905
	14120244	Tie bolt~10/15-3~B~L=244 C=M12~AISI431~Pos. 905
	14120270	Tie bolt~10-15-4~B~L=270 C=M12~AISI431~Pos. 905
	14120296	Tie bolt~10/15-5~B~L=296 C=M12~AISI431~Pos. 905
	14120323	Tie bolt~10/15-6~B~L=323 C=M12~AISI431~Pos. 905
	14120349	Tie bolt~10/15-7~B~L=349 C=M12~AISI431~Pos. 905
	14120376	Tie bolt~10/15-8~B~L=376 C=M12~AISI431~Pos. 905
	14120402	Tie bolt~10/15-9~B~L=402 C=M12~AISI431~Pos. 905
	14120429	Tie bolt~10/15-10~B~L=429 C=M12~AISI431~Pos. 905
	14120455	Tie bolt~10/15-11~B~L=455 C=M12~AISI431~Pos. 905
	14120508	Tie bolt~10/15-13~B~L=508 C=M12~AISI431~Pos. 905
	14120561	Tie bolt~10/15-15~B~L=561 C=M12~AISI431~Pos. 905
	14120614	Tie bolt~10/15-17~B~L=614 C=M12~AISI431~Pos. 905
	14120667	Tie bolt~10/15-19~B~L=667 C=M12~AISI431~Pos. 905
	14120719	Tie bolt~10/15-21~B~L=719 C=M12~AISI431~Pos. 905
950	3613100013	Wave spring~10/15~B~D=ø156 T=2.92~AISI316~Pos. 950

MULTI VS_ 10 Hydraulic Assembly

Pos.nr.	Art.nr.	Kit description
200	3618734101	Hydraulic assembly kit~~~~10/1~B~D=ø156 L=179.5~AISI316/EPDM WRAS~~50/60Hz~Pos. 200
	3618734102	Hydraulic assembly kit~~~~10/2~B~D=ø156 L=179.5~AISI316/EPDM WRAS~~50/60Hz~Pos. 200
	3618734103	Hydraulic assembly kit~~~~10/3~B~D=ø156 L=206~AISI316/EPDM WRAS~~50/60Hz~Pos. 200
	3618734104	Hydraulic assembly kit~~~~10/4~B~D=ø156 L=232.5~AISI316/EPDM WRAS~~50/60Hz~Pos. 200
	3618734105	Hydraulic assembly kit~~~~10/5~B~D=ø156 L=259~AISI316/EPDM WRAS~~50/60Hz~Pos. 200
	3618734106	Hydraulic assembly kit~~~~10/6~B~D=ø156 L=285.5~AISI316/EPDM WRAS~~50/60Hz~Pos. 200
	3618734107	Hydraulic assembly kit~~~~10/7~B~D=ø156 L=312~AISI316/EPDM WRAS~~50/60Hz~Pos. 200
	3618734108	Hydraulic assembly kit~~~~10/8~B~D=ø156 L=338.5~AISI316/EPDM WRAS~~50/60Hz~Pos. 200
	3618734109	Hydraulic assembly kit~~~~10/9~B~D=ø156 L=365~AISI316/EPDM WRAS~~50/60Hz~Pos. 200
	3618734110	Hydraulic assembly kit~~~~10/10~B~D=ø156 L=391.5~AISI316/EPDM WRAS~~50/60Hz~Pos. 200
	3618734111	Hydraulic assembly kit~~~~10/11~B~D=ø156 L=418~AISI316/EPDM WRAS~~50/60Hz~Pos. 200
	3618734113	Hydraulic assembly kit~~~~10/13~B~D=ø156 L=471~AISI316/EPDM WRAS~~50/60Hz~Pos. 200
	3618734115	Hydraulic assembly kit~~~~10/15~B~D=ø156 L=524~AISI316/EPDM WRAS~~50/60Hz~Pos. 200
	3618734117	Hydraulic assembly kit~~~~10/17~B~D=ø156 L=577~AISI316/EPDM WRAS~~50/60Hz~Pos. 200
	3618734119	Hydraulic assembly kit~~~~10/19~B~D=ø156 L=630~AISI316/EPDM WRAS~~50/60Hz~Pos. 200
	3618734121	Hydraulic assembly kit~~~~10/21~B~D=ø156 L=683~AISI316/EPDM WRAS~~50/60Hz~Pos. 200
	3618734201	Hydraulic assembly kit~~~~10/1~B~D=ø156 L=179.5~AISI316/FPM~~50/60Hz~Pos. 200
	3618734202	Hydraulic assembly kit~~~~10/2~B~D=ø156 L=179.5~AISI316/FPM~~50/60Hz~Pos. 200
	3618734203	Hydraulic assembly kit~~~~10/3~B~D=ø156 L=206~AISI316/FPM~~50/60Hz~Pos. 200
	3618734204	Hydraulic assembly kit~~~~10/4~B~D=ø156 L=232.5~AISI316/FPM~~50/60Hz~Pos. 200
	3618734205	Hydraulic assembly kit~~~~10/5~B~D=ø156 L=259~AISI316/FPM~~50/60Hz~Pos. 200
	3618734206	Hydraulic assembly kit~~~~10/6~B~D=ø156 L=285.5~AISI316/FPM~~50/60Hz~Pos. 200
	3618734207	Hydraulic assembly kit~~~~10/7~B~D=ø156 L=312~AISI316/FPM~~50/60Hz~Pos. 200
	3618734208	Hydraulic assembly kit~~~~10/8~B~D=ø156 L=338.5~AISI316/FPM~~50/60Hz~Pos. 200
	3618734209	Hydraulic assembly kit~~~~10/9~B~D=ø156 L=365~AISI316/FPM~~50/60Hz~Pos. 200
	3618734210	Hydraulic assembly kit~~~~10/10~B~D=ø156 L=391.5~AISI316/FPM~~50/60Hz~Pos. 200
	3618734211	Hydraulic assembly kit~~~~10/11~B~D=ø156 L=418~AISI316/FPM~~50/60Hz~Pos. 200
	3618734213	Hydraulic assembly kit~~~~10/13~B~D=ø156 L=471~AISI316/FPM~~50/60Hz~Pos. 200
	3618734215	Hydraulic assembly kit~~~~10/15~B~D=ø156 L=524~AISI316/FPM~~50/60Hz~Pos. 200
	3618734217	Hydraulic assembly kit~~~~10/17~B~D=ø156 L=577~AISI316/FPM~~50/60Hz~Pos. 200
	3618734219	Hydraulic assembly kit~~~~10/19~B~D=ø156 L=630~AISI316/FPM~~50/60Hz~Pos. 200
	3618734221	Hydraulic assembly kit~~~~10/21~B~D=ø156 L=683~AISI316/FPM~~50/60Hz~Pos. 200

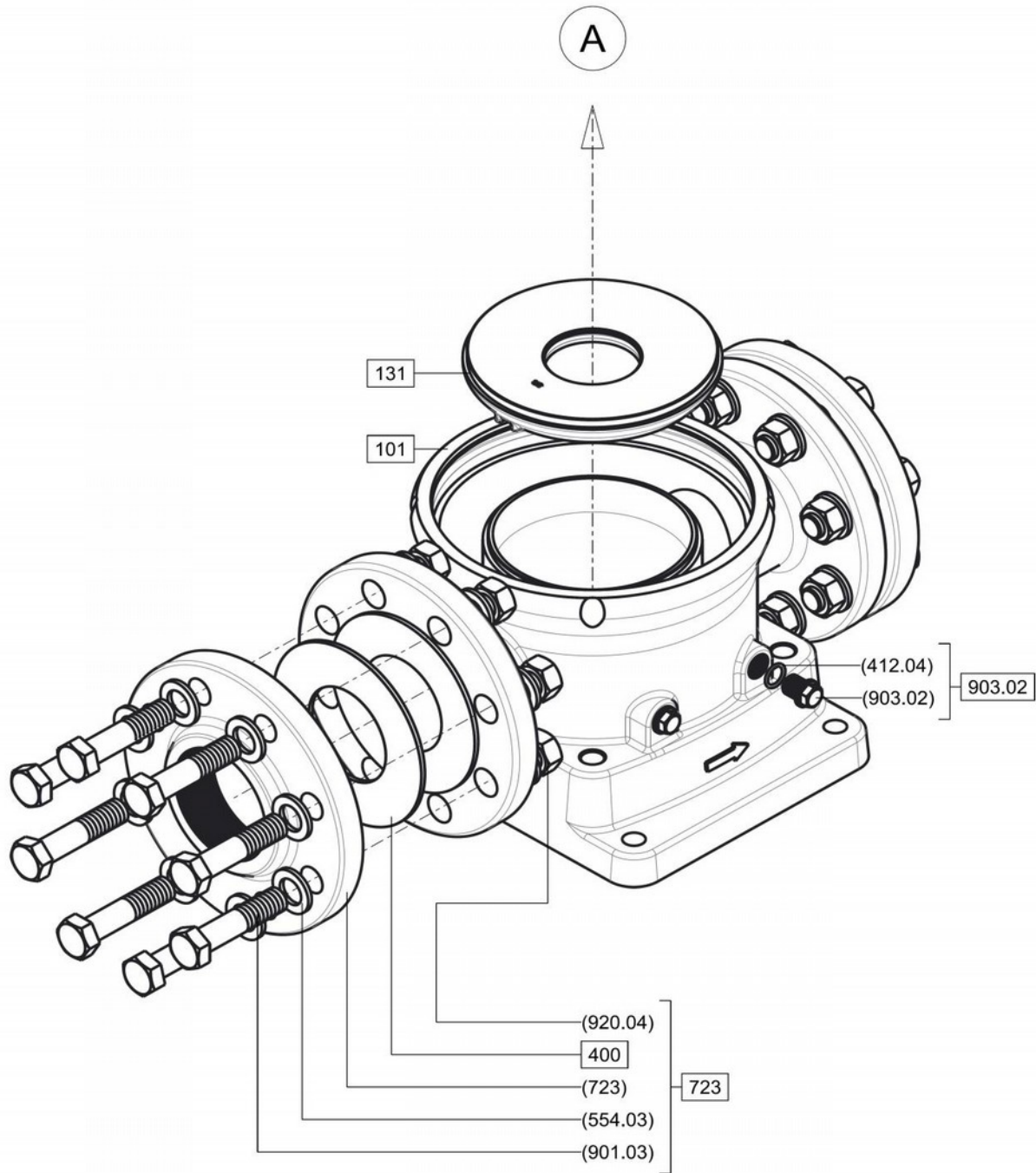
MULTI VS_15 Hydraulic Assembly

Pos.nr.	Art.nr.	Kit description
200	3618735101	Hydraulic assembly kit~~~~15/1~B~D=ø156 L=179.5~AISI316/EPDM WRAS~~50/60Hz~Pos. 200
	3618735102	Hydraulic assembly kit~~~~15/2~B~D=ø156 L=179.5~AISI316/EPDM WRAS~~50/60Hz~Pos. 200
	3618735103	Hydraulic assembly kit~~~~15/3~B~D=ø156 L=206~AISI316/EPDM WRAS~~50/60Hz~Pos. 200
	3618735104	Hydraulic assembly kit~~~~15/4~B~D=ø156 L=232.5~AISI316/EPDM WRAS~~50/60Hz~Pos. 200
	3618735105	Hydraulic assembly kit~~~~15/5~B~D=ø156 L=259~AISI316/EPDM WRAS~~50/60Hz~Pos. 200
	3618735106	Hydraulic assembly kit~~~~15/6~B~D=ø156 L=285.5~AISI316/EPDM WRAS~~50/60Hz~Pos. 200
	3618735107	Hydraulic assembly kit~~~~15/7~B~D=ø156 L=312~AISI316/EPDM WRAS~~50/60Hz~Pos. 200
	3618735108	Hydraulic assembly kit~~~~15/8~B~D=ø156 L=338.5~AISI316/EPDM WRAS~~50/60Hz~Pos. 200
	3618735109	Hydraulic assembly kit~~~~15/9~B~D=ø156 L=365~AISI316/EPDM WRAS~~50/60Hz~Pos. 200
	3618735110	Hydraulic assembly kit~~~~15/10~B~D=ø156 L=391.5~AISI316/EPDM WRAS~~50/60Hz~Pos. 200
	3618735111	Hydraulic assembly kit~~~~15/11~B~D=ø156 L=418~AISI316/EPDM WRAS~~50/60Hz~Pos. 200
	3618735113	Hydraulic assembly kit~~~~15/13~B~D=ø156 L=471~AISI316/EPDM WRAS~~50/60Hz~Pos. 200
	3618735115	Hydraulic assembly kit~~~~15/15~B~D=ø156 L=524~AISI316/EPDM WRAS~~50/60Hz~Pos. 200
	3618735117	Hydraulic assembly kit~~~~15/17~B~D=ø156 L=577~AISI316/EPDM WRAS~~50/60Hz~Pos. 200
	3618735201	Hydraulic assembly kit~~~~15/1~B~D=ø156 L=179.5~AISI316/FPM~~50/60Hz~Pos. 200
	3618735202	Hydraulic assembly kit~~~~15/2~B~D=ø156 L=179.5~AISI316/FPM~~50/60Hz~Pos. 200
	3618735203	Hydraulic assembly kit~~~~15/3~B~D=ø156 L=206~AISI316/FPM~~50/60Hz~Pos. 200
	3618735204	Hydraulic assembly kit~~~~15/4~B~D=ø156 L=232.5~AISI316/FPM~~50/60Hz~Pos. 200
	3618735205	Hydraulic assembly kit~~~~15/5~B~D=ø156 L=259~AISI316/FPM~~50/60Hz~Pos. 200
	3618735206	Hydraulic assembly kit~~~~15/6~B~D=ø156 L=285.5~AISI316/FPM~~50/60Hz~Pos. 200
	3618735207	Hydraulic assembly kit~~~~15/7~B~D=ø156 L=312~AISI316/FPM~~50/60Hz~Pos. 200
	3618735208	Hydraulic assembly kit~~~~15/8~B~D=ø156 L=338.5~AISI316/FPM~~50/60Hz~Pos. 200
	3618735209	Hydraulic assembly kit~~~~15/9~B~D=ø156 L=365~AISI316/FPM~~50/60Hz~Pos. 200
	3618735210	Hydraulic assembly kit~~~~15/10~B~D=ø156 L=391.5~AISI316/FPM~~50/60Hz~Pos. 200
	3618735211	Hydraulic assembly kit~~~~15/11~B~D=ø156 L=418~AISI316/FPM~~50/60Hz~Pos. 200
	3618735213	Hydraulic assembly kit~~~~15/13~B~D=ø156 L=471~AISI316/FPM~~50/60Hz~Pos. 200
	3618735215	Hydraulic assembly kit~~~~15/15~B~D=ø156 L=524~AISI316/FPM~~50/60Hz~Pos. 200
	3618735217	Hydraulic assembly kit~~~~15/17~B~D=ø156 L=577~AISI316/FPM~~50/60Hz~Pos. 200



Drawing-no. SP2010220

Pos.nr.	Art.nr.	Component description
160	3613101290	Cover~Cartridge/EA seal~~~10/15~B~G 3/8~AIS1316~~~Pos. 160
341	3618100022	Motor stool~~~~10/15~B~Stc.100~JL1040~RAL5002~Frame 80~Pos. 341
	3618100023	Motor stool~~~~10/15~B~Stc.115~JL1040~RAL5002~Frame 90~Pos. 341
	3618100024	Motor stool~~~~10/15~B~Stc.130~JL1040~RAL5002~Frame 100/112~Pos. 341
	3618100029	Motor stool~~~~10/15~B~Stc.265 (max. 22kW)~JS1030~RAL5002~Frame 132~Pos. 341
	3618100028	Motor stool~NEMA~~~10/15~B~Stc.149.2 (up to 5hp)~JL1040~RAL5002~~~Pos. 341
	3618100020	Motor stool~NEMA~~~10/15~B~Stc.149.2 (7.5-30hp)~JL1040~RAL5002~~~Pos. 341
	3618100095	Motor stool~NEMA~~~10/15~B~Stc.184.2 (3-5hp)~JS1030~RAL5002~~~Pos. 341
3618100096	Motor stool~NEMA~~~10/15~B~Stc.184.2 (7.5-20hp)~JS1030~RAL5002~~~Pos. 341	
433.01	3618721153	Mechanical seal~Revision kit~~~10/15~B~~d=ø16~Easy access~13~RMG12-G606~ SiC~Ca~EPDM WRAS~PN25~~EPDM WRAS/ACS/NSF~-20/+100°C~Pos. 433.01
	3618721183	Mechanical seal~Revision kit~~~10/15~B~~d=ø16~Easy access~14~RMG12-G606~ SiC~Ca~FPM~PN25~~FPM~-20/+120°C~Pos. 433.01
	3618721176	Mechanical seal~Revision kit~~~10/15~B~~d=ø16~Easy access~15~RMG12-G606~ TuC~TuC~HNBR~PN25(PN16)~~HNBR~-20/+120(140)°C~Pos. 433.01
	3618721177	Mechanical seal~Revision kit~~~10/15~B~~d=ø16~Easy access~16~RMG12-G606~ TuC~TuC~FPM~PN25(PN16)~~FPM~-20/+120(140)°C~Pos. 433.01
	3618721188	Mechanical seal~Revision kit~~~10/15~B~~d=ø16~Easy access~18~RMG12-G606~ TuC~Ca~EPDM~PN25(PN16)~~EPDM 559236 (SPECIAL)~-20/+120(140)°C~Pos. 433.01
	3618721181	Mechanical seal~Revision kit~~~10/15~B~~d=ø16~Easy access~24~MG12-G60~ SiC~SiC~FPM~PN10~~FPM~-20/+120°C~Pos. 433.01
	3618721186	Mechanical seal~Revision kit~~~10/15~B~~d=ø16~Easy access~28~MG12-G60~ SiC~SiC~HNBR~PN10~~HNBR~-20/+120°C~Pos. 433.01
	3618721182	Mechanical seal~Revision kit~~~10/15~B~~d=ø16~Easy access~29~MG12-G60~ SiC~SiC~EPDM~PN10~~EPDM~-20/+100°C~Pos. 433.01
433.02	3618721253	Mechanical seal~Kit complete~~~10/15~B~~d=ø16~Easy access~13~RMG12-G606~ SiC~Ca~EPDM WRAS~PN25~AIS1316~EPDM WRAS/ACS/NSF~-20/+100°C~Pos. 433.02
	3618721283	Mechanical seal~Kit complete~~~10/15~B~~d=ø16~Easy access~14~RMG12-G606~ SiC~Ca~FPM~PN25~AIS1316~FPM~-20/+120°C~Pos. 433.02
	3618721276	Mechanical seal~Kit complete~~~10/15~B~~d=ø16~Easy access~15~RMG12-G606~ TuC~TuC~HNBR~PN25(PN16)~AIS1316~HNBR~-20/+120(140)°C~Pos. 433.02
	3618721277	Mechanical seal~Kit complete~~~10/15~B~~d=ø16~Easy access~16~RMG12-G606~ TuC~TuC~FPM~PN25(PN16)~AIS1316~FPM~-20/+120(140)°C~Pos. 433.02
	3618721288	Mechanical seal~Kit complete~~~10/15~B~~d=ø16~Easy access~18~RMG12-G606~ TuC~Ca~EPDM~PN25(PN16)~AIS1316~EPDM 559236 (SPECIAL)~-20/+120(140)°C~Pos. 433.02
	3618721281	Mechanical seal~Kit complete~~~10/15~B~~d=ø16~Easy access~24~MG12-G60~ SiC~SiC~FPM~PN10~AIS1316~FPM~-20/+120°C~Pos. 433.02
	3618721286	Mechanical seal~Kit complete~~~10/15~B~~d=ø16~Easy access~28~MG12-G60~ SiC~SiC~HNBR~PN10~AIS1316~HNBR~-20/+120°C~Pos. 433.02
	3618721282	Mechanical seal~Kit complete~~~10/15~B~~d=ø16~Easy access~29~MG12-G60~ SiC~SiC~EPDM~PN10~AIS1316~EPDM~-20/+100°C~Pos. 433.02
681	3618700411	Coupling guard~Kit~~~2-15~B~Stc.85/100~AIS1304~~~Pos. 681
	3618700412	Coupling guard~Kit~~~2-15~B~Stc.115/130~AIS1304~~~Pos. 681
	3618700415	Coupling guard~Kit~~~2-15~B~Stc.265/149.2(7.5-30hp)~AIS1304~~~Pos. 681
	3618700418	Coupling guard~Kit~~~10/15~B~Stc.149.2(up to 5hp)~AIS1304~~~Pos. 681
862	3618702021	Coupling~Kit~~~10/15~B~d=ø16 D=ø19~Aluminium~~~Pos. 862
	3618702022	Coupling~Kit~~~10/15~B~d=ø16 D=ø24~Aluminium~~~Pos. 862
	3618702023	Coupling~Kit~~~10/15~B~d=ø16 D=ø28~Aluminium~~~Pos. 862
	3618702024	Coupling~Kit~~~10/15~B~d=ø16 D=ø38~JS1030~~~Pos. 862
	3618702025	Coupling~Kit~~~10/15~B~d=ø16 D=ø42~JS1030~~~Pos. 862
	3618702026	Coupling~Kit~~~10/15~B~d=ø16 D=ø48~JS1030~~~Pos. 862
	3618702027	Coupling~Kit~~~10/15~B~d=ø16 D=ø15.9~Aluminium~~~Pos. 862
	3618702028	Coupling~Kit~~~10/15~B~d=ø16 D=ø22.2~Aluminium~~~Pos. 862
	3618702029	Coupling~Kit~~~10/15~B~d=ø16 D=ø28.6~Aluminium~~~Pos. 862
	3618702030	Coupling~Kit~~~10/15~B~d=ø16 D=ø34.9~JS1030~~~Pos. 862
	3618702031	Coupling~Kit~~~10/15~B~d=ø16 D=ø41.3~JS1030~~~Pos. 862
903.01	3618700004	Screwed plug~Kit~~~2-85~B~C=G 3/8~AIS1316/FPM/EPDM/HNBR~(WRAS)~DIN910~Pos. 903.01

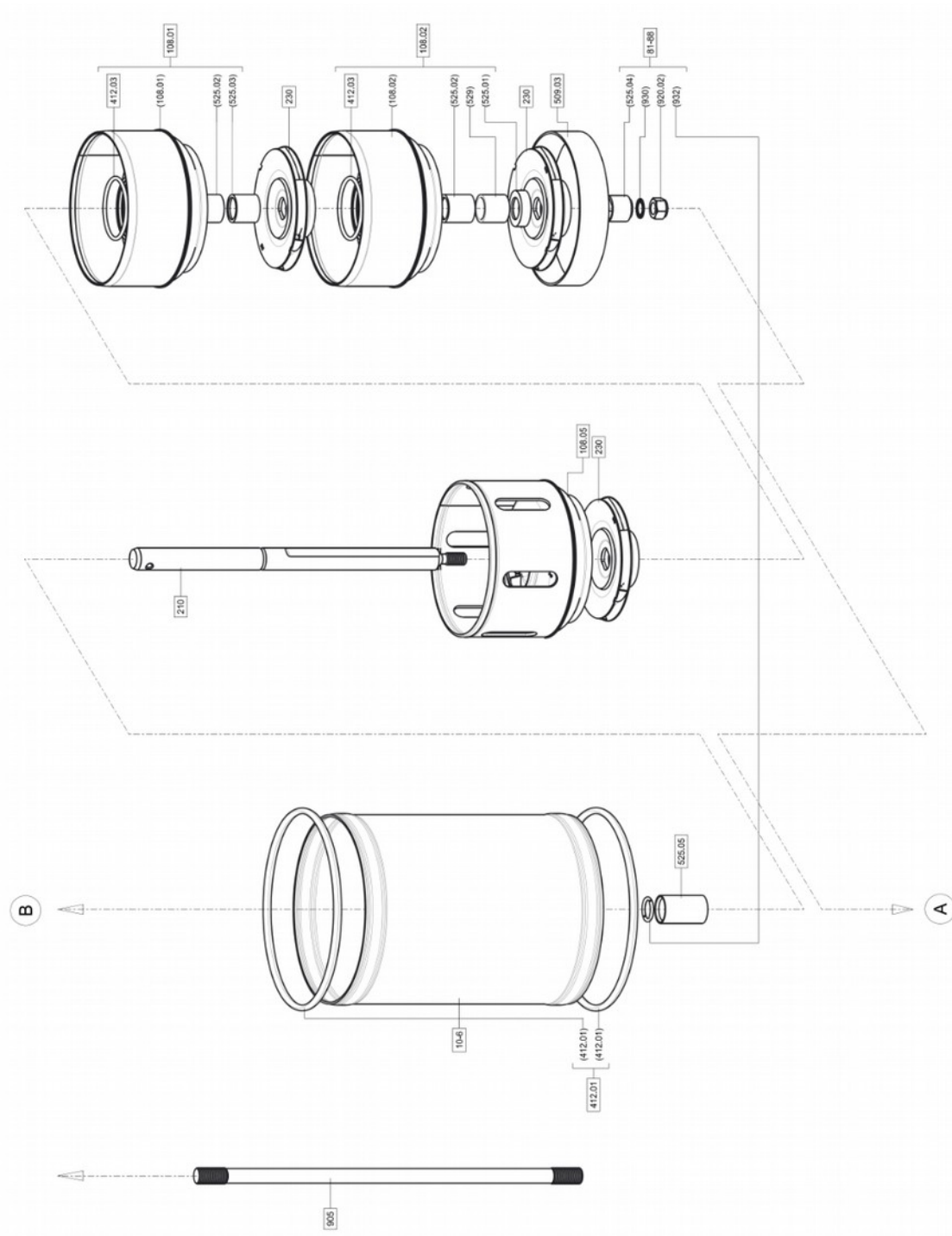


Drawing-no. SP2025303

MULTI VS_C 25 Pump casing



Pos.nr.	Art.nr.	Component description
101	3618250041	Pump casing~25~B~p=PN25/40 C=NW65~JS1030~RAL9011~DIN~Pos. 101
131	3613250090	Inletring~25~B~D=ø155 H=22~AISI316~Pos. 131
400	3618703717	Gasket kit~Round~25/40~B~C=NW65~C-4324~Klingersil~Pos. 400
723	3618703720	Flange kit~Counter round~25~B~NW65 x G 5/2~AISI316~DIN PN16~Pos. 723
	3618703721	Flange kit~counter round~25~B~NW65xG 5/2 BI~AISI316~DIN PN25/40~Pos. 723
	3618703747	Flange kit~counter round~25~B~NW65(8holes)xG 5/2~ST.37~ELVZ.~EN1092-1 TYPE13 PN16~Pos. 723
	3618703748	Flange kit~counter round~25~B~NW65(8 holes) x G 5/2~AISI304~EN1092-1 TYPE13 PN25/40~Pos. 723
903.02	3618700001	Screwed plug~Kit~2-85~B~C=G 1/4~AISI316/FPM/EPDM/HNBR~(WRAS)~DIN910~Pos. 903.02

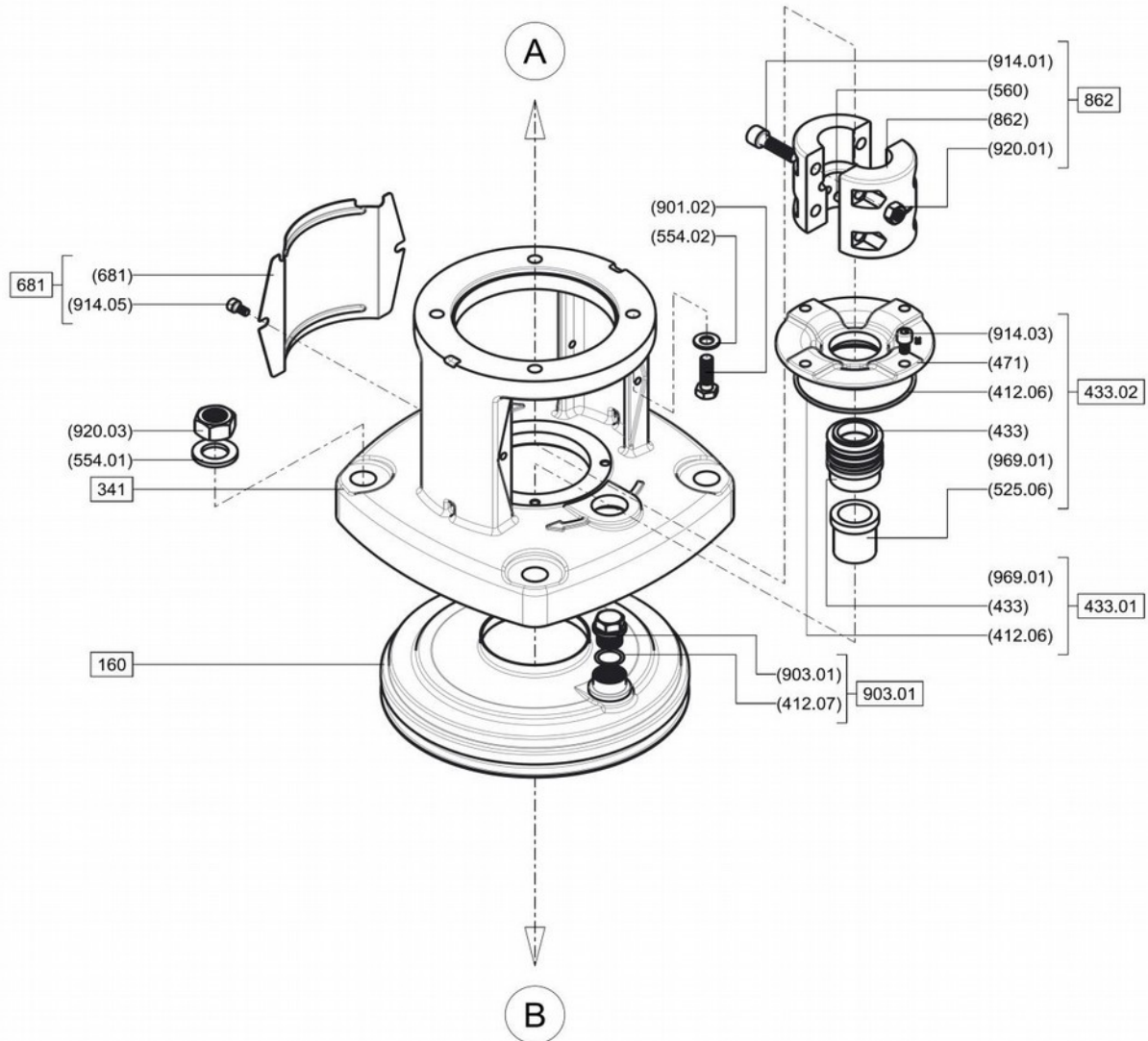


Drawing-no. SP2025100

Pos.nr.	Art.nr.	Component description
10-6	3613250341	Pump shroud~VS25-1~B~D=ø189.3 L=118 s=2~AIS1316~Pos. 10-6
	3613250342	Pump shroud~VS25-2~B~D=ø189.3 L=183 s=2~AIS1316~Pos. 10-6
	3613250343	Pump shroud~VS25-3~B~D=ø189.3 L=248 s=2~AIS1316~Pos. 10-6
	3613250344	Pump shroud~VS25-4~B~D=ø189.3 L=313 s=2~AIS1316~Pos. 10-6
	3613250345	Pump shroud~VS25-5~B~D=ø189.3 L=378 s=2~AIS1316~Pos. 10-6
	3613250346	Pump shroud~VS25-6~B~D=ø189.3 L=443 s=2~AIS1316~Pos. 10-6
	3613250347	Pump shroud~VS25-7~B~D=ø189.3 L=508 s=2~AIS1316~Pos. 10-6
	3613250348	Pump shroud~VS25-8~B~D=ø189.3 L=573 s=2~AIS1316~Pos. 10-6
	3613250349	Pump shroud~VS25-9~B~D=ø189.3 L=638 s=2~AIS1316~Pos. 10-6
	3613250350	Pump shroud~VS25-10~B~D=ø189.3 L=703 s=2~AIS1316~Pos. 10-6
	3613250351	Pump shroud~VS25-11~B~D=ø189.3 L=768 s=2~AIS1316~Pos. 10-6
3613250352	Pump shroud~VS25-12~B~D=ø189.3 L=833 s=2~AIS1316~Pos. 10-6	
108.01	3618709066	Stage casing~Kit~V25~B~AIS1316/FPM/EPDM/HNBR~(WRAS/NSF)~Revision kit~Pos. 108.01
108.02	3618709065	Stage casing~with bearing - kit~V25~B~AIS1316/FPM/EPDM/HNBR~(WRAS/NSF)~Revision kit~Pos. 108.02
108.05	3613250291	Stage casing~Upper~VS25~B~D=ø156 H=111.8~AIS1316~Pos. 108.05
210	3613250561	Shaft~VS25-1~B~D=ø22 L=216~AIS1329~Pos. 210
	3613250562	Shaft~VS25-2~B~D=ø22 L=281~AIS1329~Pos. 210
	3613250563	Shaft~VS25-3~B~D=ø22 L=346~AIS1329~Pos. 210
	3613250564	Shaft~VS25-4~B~D=ø22 L=411~AIS1329~Pos. 210
	3613250565	Shaft~VS25-5~B~D=ø22 L=476~AIS1329~Pos. 210
	3613250566	Shaft~VS25-6~B~D=ø22 L=541~AIS1329~Pos. 210
	3613250567	Shaft~VS25-7~B~D=ø22 L=606~AIS1329~Pos. 210
	3613250568	Shaft~VS25-8~B~D=ø22 L=671~AIS1329~Pos. 210
	3613250569	Shaft~VS25-9~B~D=ø22 L=736~AIS1329~Pos. 210
	3613250570	Shaft~VS25-10~B~D=ø22 L=801~AIS1329~Pos. 210
	3613250571	Shaft~VS25-11~B~D=ø22 L=866~AIS1329~Pos. 210
3613250572	Shaft~VS25-12~B~D=ø22 L=931~AIS1329~Pos. 210	
230	3613250300	Impeller~VS25~B~D=ø123.7 H=31.2~AIS1316~Pos. 230
412.01	3618700040	O-ring-kit - for shroud~V25~B~d=ø192 T=7~EPDM WRAS/NSF~70 Shore (2 pcs)~Pos. 412.01
	3618700041	O-ring-kit - for shroud~V25~B~d=ø192 T=7~FPM~Green~70 Shore (2 pcs)~Pos. 412.01
	3618700042	O-ring-kit - for shroud~V25~B~d=ø192 T=7~HNBR~Yellow~70 Shore (2 pcs)~Pos. 412.01
	3618700043	O-ring-kit - for shroud~V25~B~d=ø192 T=7~EPDM 559236 (SPECIAL)~70 Shore (2 pcs)~Pos. 412.01
412.03	3618700044	O-ring-kit - for stage casing~V25~B~d=ø57.15 T=3.53~EPDM WRAS/NSF~70 Shore (6 pcs)~Pos. 412.03
	3618700045	O-ring-kit - for stage casing~V25~B~d=ø57.15 T=3.53~FPM~70 Shore (6 pcs)~Pos. 412.03
	3618700046	O-ring-kit - for stage casing~V25~B~d=ø57.15 T=3.53~HNBR~70 Shore (6 pcs)~Pos. 412.03
509.03	3613250281	Intermediate ring~Lower~VS25~B~D=ø155 H=29.9~AIS1316~Pos. 509.03
525.05	3613250190	Spacer sleeve~Seal~VS25/60~B~D=ø28 d=ø22.15 L=44~AIS1316~Pos. 525.05
	3613250191	Spacer sleeve~Seal - Single stage~V25~B~D=ø28 d=ø22.08 L=9.3~AIS1316~Pos. 525.05
81-88	18706003	Shaft end~Kit~V(S)F24/32/45/65~A~V25-85~B~D=ø22~AIS1316~Revision kit~Pos. 81-88
905	14160260	Tie bolt~V25/1~B~L=260 C=M16~AIS1431~Pos. 905
	14160325	Tie bolt~V25/2~B~L=325 C=M16~AIS1431~Pos. 905
	14160388	Tie bolt~V24/32/45-20~A~V25/3~B~L=388 C=M16~AIS1431~Pos. 905
	14160455	Tie bolt~V25/4~B~L=455 C=M16~AIS1431~Pos. 905
	14160522	Tie bolt~VCF65-50~A~V25/5~B~L=522 C=M16~AIS1431~Pos. 905
	14160584	Tie bolt~V(S)F24/32/45-60~A~V25/6~B~L=584 C=M16~AIS1431~Pos. 905
	14160650	Tie bolt~V25/7~B~L=650 C=M16~AIS1431~Pos. 905
	14160715	Tie bolt~V25/8~B~L=715 C=M16~AIS1431~Pos. 905
	14160778	Tie bolt~V24/32/45-100~A~V(C/S)25/9~B~L=778 C=M16~AIS1431~Pos. 905
	14160845	Tie bolt~V25/10~B~L=845 C=M16~AIS1431~Pos. 905
	14160907	Tie bolt~VF65-70~A~V(C/S)25/11 - 85/6~B~L=907 C=M16~AIS1431~Pos. 905
	14160975	Tie bolt~V25/12~B~L=975 C=M16~AIS1431~Pos. 905

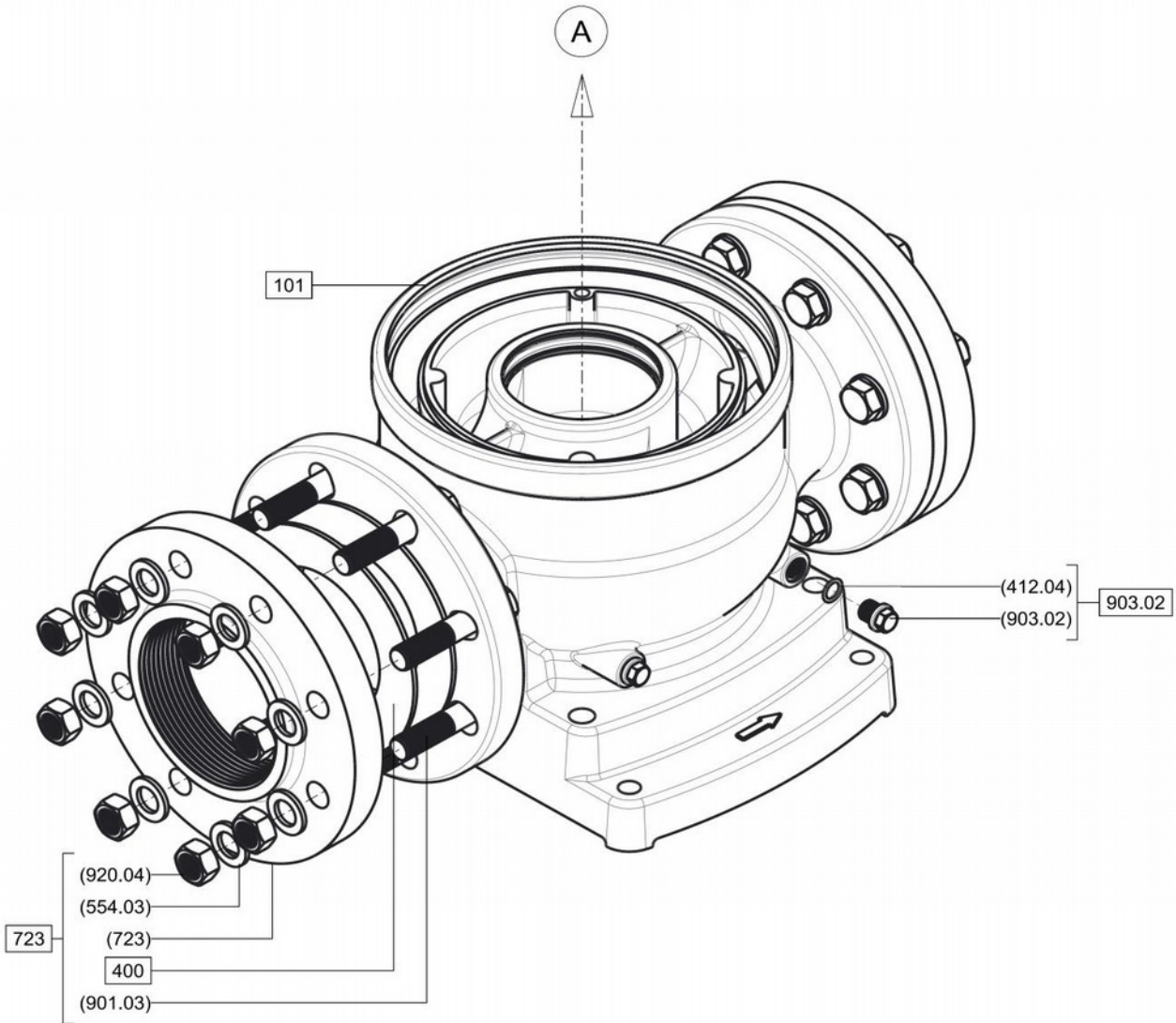
DPV(C,S)25 Hydraulic Assembly

Pos.nr.	Art.nr.	Kit description
200	3618736101	Hydraulic assembly kit~25/1~B~D=ø155 L=270~AISI316/EPDM WRAS~50/60Hz~Pos. 200
	3618736102	Hydraulic assembly kit~25/2~B~D=ø155 L=335~AISI316/EPDM WRAS~50/60Hz~Pos. 200
	3618736103	Hydraulic assembly kit~25/3~B~D=ø155 L=400~AISI316/EPDM WRAS~50/60Hz~Pos. 200
	3618736104	Hydraulic assembly kit~25/4~B~D=ø155 L=465~AISI316/EPDM WRAS~50/60Hz~Pos. 200
	3618736105	Hydraulic assembly kit~25/5~B~D=ø155 L=530~AISI316/EPDM WRAS~50/60Hz~Pos. 200
	3618736106	Hydraulic assembly kit~25/6~B~D=ø155 L=595~AISI316/EPDM WRAS~50/60Hz~Pos. 200
	3618736107	Hydraulic assembly kit~25/7~B~D=ø155 L=660~AISI316/EPDM WRAS~50/60Hz~Pos. 200
	3618736108	Hydraulic assembly kit~25/8~B~D=ø155 L=725~AISI316/EPDM WRAS~50/60Hz~Pos. 200
	3618736109	Hydraulic assembly kit~25/9~B~D=ø155 L=790~AISI316/EPDM WRAS~50/60Hz~Pos. 200
	3618736110	Hydraulic assembly kit~25/10~B~D=ø155 L=855~AISI316/EPDM WRAS~50/60Hz~Pos. 200
	3618736111	Hydraulic assembly kit~25/11~B~D=ø155 L=920~AISI316/EPDM WRAS~50/60Hz~Pos. 200
	3618736112	Hydraulic assembly kit~25/12~B~D=ø155 L=985~AISI316/EPDM WRAS~50/60Hz~Pos. 200
	3618736201	Hydraulic assembly kit~25/1~B~D=ø155 L=270~AISI316/FPM~50/60Hz~Pos. 200
	3618736202	Hydraulic assembly kit~25/2~B~D=ø155 L=335~AISI316/FPM~50/60Hz~Pos. 200
	3618736203	Hydraulic assembly kit~25/3~B~D=ø155 L=400~AISI316/FPM~50/60Hz~Pos. 200
	3618736204	Hydraulic assembly kit~25/4~B~D=ø155 L=465~AISI316/FPM~50/60Hz~Pos. 200
	3618736205	Hydraulic assembly kit~25/5~B~D=ø155 L=530~AISI316/FPM~50/60Hz~Pos. 200
	3618736206	Hydraulic assembly kit~25/6~B~D=ø155 L=595~AISI316/FPM~50/60Hz~Pos. 200
	3618736207	Hydraulic assembly kit~25/7~B~D=ø155 L=660~AISI316/FPM~50/60Hz~Pos. 200
	3618736208	Hydraulic assembly kit~25/8~B~D=ø155 L=725~AISI316/FPM~50/60Hz~Pos. 200
	3618736209	Hydraulic assembly kit~25/9~B~D=ø155 L=790~AISI316/FPM~50/60Hz~Pos. 200
	3618736210	Hydraulic assembly kit~25/10~B~D=ø155 L=855~AISI316/FPM~50/60Hz~Pos. 200
	3618736211	Hydraulic assembly kit~25/11~B~D=ø155 L=920~AISI316/FPM~50/60Hz~Pos. 200
	3618736212	Hydraulic assembly kit~25/12~B~D=ø155 L=985~AISI316/FPM~50/60Hz~Pos. 200



Drawing-no. SP2025220

Pos.nr.	Art.nr.	Component description
160	3613251290	Cover~Cartridge/EA seal~~~25~B~D=ø204.3 H=44.8 C=G 3/8~AISI316~~~Pos. 160
341	3618250023	Motor stool~~~~25~B~Stc.115~JL1040~RAL5002~Frame 90~Pos. 341
	3618250024	Motor stool~~~~25~B~Stc.130~JL1040~RAL5002~Frame 100/112~Pos. 341
	3618250029	Motor stool~~~~25~B~Stc.265 (max. 22kW)~JS1030~RAL5002~Frame 132~Pos. 341
	3618250095	Motor stool~NEMA~~~25~B~Stc.184.2 (up to 5.0hp)~JS1030~RAL5002~~~Pos. 341
	3618250096	Motor stool~NEMA~~~25~B~Stc.184.2 (7.5-20hp)~JS1030~RAL5002~~~Pos. 341
	3618250097	Motor stool~NEMA~~~25~B~Stc.228.6 (25/30hp)~JS1030~RAL5002~~~Pos. 341
433.01	3618723153	Mechanical seal~Revision kit~~~25-60~B~~d=ø22~Easy access~13~RMG12-G606~ SiC~Ca~EPDM WRAS~PN25~~EPDM WRAS/ACS/NSF~-20/+100°C~Pos. 433.01
	3618723183	Mechanical seal~Revision kit~~~25-60~B~~d=ø22~Easy access~14~RMG12-G606~ SiC~Ca~FPM~PN25~~FPM~-20/+120°C~Pos. 433.01
	3618723176	Mechanical seal~Revision kit~~~25-60~B~~d=ø22~Easy access~15~RMG12-G606~ TuC~TuC~HNBR~PN25(PN16)~~HNBR~-20/+120(140)°C~Pos. 433.01
	3618723177	Mechanical seal~Revision kit~~~25-60~B~~d=ø22~Easy access~16~RMG12-G606~ TuC~TuC~FPM~PN25(PN16)~~FPM~-20/+120(140)°C~Pos. 433.01
	3618723188	Mechanical seal~Revision kit~~~25-60~B~~d=ø22~Easy access~18~RMG12-G606~ TuC~Ca~EPDM~PN25(PN16)~~EPDM 559236 (SPECIAL)~-20/+120(140)°C~Pos. 433.01
	3618723181	Mechanical seal~Revision kit~~~25-60~B~~d=ø22~Easy access~24~MG12-G60~ SiC~SiC~FPM~PN10~~FPM~-20/+120°C~Pos. 433.01
	3618723182	Mechanical seal~Revision kit~~~25-60~B~~d=ø22~Easy access~29~MG12-G60~ SiC~SiC~EPDM~PN10~~EPDM~-20/+100°C~Pos. 433.01
433.02	3618723253	Mechanical seal~Kit complete~~~25-60~B~~d=ø22~Easy access~13~RMG12-G606~ SiC~Ca~EPDM WRAS~PN25~AISI316~EPDM WRAS/ACS/NSF~-20/+100°C~Pos. 433.02
	3618723283	Mechanical seal~Kit complete~~~25-60~B~~d=ø22~Easy access~14~RMG12-G606~ SiC~Ca~FPM~PN25~AISI316~FPM~-20/+120°C~Pos. 433.02
	3618723276	Mechanical seal~Kit complete~~~25-60~B~~d=ø22~Easy access~15~RMG12-G606~ TuC~TuC~HNBR~PN25(PN16)~AISI316~HNBR~-20/+120(140)°C~Pos. 433.02
	3618723277	Mechanical seal~Kit complete~~~25-60~B~~d=ø22~Easy access~16~RMG12-G606~ TuC~TuC~FPM~PN25(PN16)~AISI316~FPM~-20/+120(140)°C~Pos. 433.02
	3618723288	Mechanical seal~Kit complete~~~25-60~B~~d=ø22~Easy access~18~RMG12-G606~ TuC~Ca~EPDM~PN25(PN16)~AISI316~EPDM 559236 (SPECIAL)~-20/+120(140)°C~Pos. 433.02
	3618723281	Mechanical seal~Kit complete~~~25-60~B~~d=ø22~Easy access~24~MG12-G60~ SiC~SiC~FPM~PN10~AISI316~FPM~-20/+120°C~Pos. 433.02
681	3618700612	Coupling guard~Kit~~~25~B~Stc.115~AISI304~~~Pos. 681
	3618700613	Coupling guard~Kit~~~25-60~B~Stc.130/149.2(up to 5hp)~AISI304~~~Pos. 681
	3618700615	Coupling guard~Kit~~~DPV(C/S)25~B~Stc.265/149.2(7.5-30hp)~AISI304~~~Pos. 681
862	3618702001	Coupling~Kit~~~25-85~B~d=ø22 D=ø38~JS1030~~~Pos. 862
	3618702002	Coupling~Kit~~~25-85~B~d=ø22 D=ø42~JS1030~~~Pos. 862
	3618702003	Coupling~Kit~~~25-85~B~d=ø22 D=ø48~JS1030~~~Pos. 862
	3618702004	Coupling~Kit~~~25-85~B~d=ø22 D=ø55~JS1030~~~Pos. 862
	3618702005	Coupling~Kit~~~25-85~B~d=ø22 D=ø34.9~JS1030~~~Pos. 862
	3618702006	Coupling~Kit~~~25-85~B~d=ø22 D=ø41.3~JS1030~~~Pos. 862
	3618702007	Coupling~Kit~~~25-85~B~d=ø22 D=ø47.6~JS1030~~~Pos. 862
	3618702008	Coupling~Kit~~~25~B~d=ø22 D=ø24~Aluminium~~~Pos. 862
	3618702009	Coupling~Kit~~~25-60~B~d=ø22 D=ø28~Aluminium~~~Pos. 862
903.01	3618700004	Screwed plug~Kit~~~2-85~B~C=G 3/8~AISI316/FPM/EPDM/HNBR~(WRAS)~DIN910~Pos. 903.01

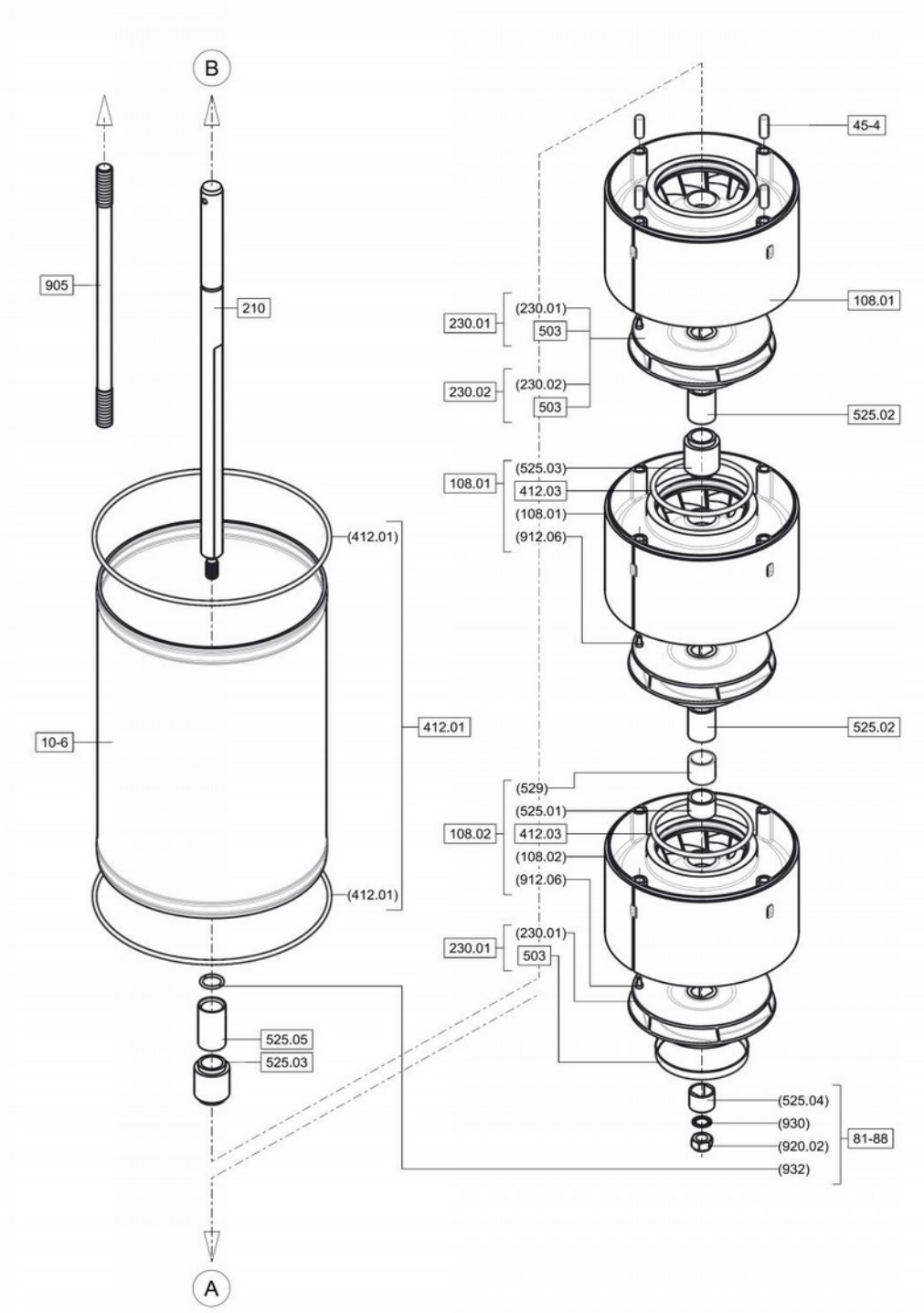


Drawing-no. SP2085303

MULTI VS_C_85 Pump casing



Pos.nr.	Art.nr.	Component description
101	3618850038	Pump casing~DIN/ASME~~~85~B~p=PN16 C=NW100~JL1040~Pos. 101
	3618850039	Pump casing~DIN/JIS/ASME~~~85~B~p=PN25/40 C=NW100~JL1040~Pos. 101
723	3618703728	Flange kit~counter round~~~40-85~B~NW100 x G 4 BI~AISI316~~EN1092-1 TYPE13 PN25/40~Pos. 723
	3618703729	Flange kit~counter round~~~40-85~B~NW100 x G 4 BI~AISI316~~EN1092-1 TYPE13 PN16~Pos. 723
	3618703752	Flange kit~counter round~65~A~V(C)F60/85~B~NW100(8holes) x G 4~ST.37~ELVZ.~EN1092-1 TYPE13 PN16~Pos. 723
	3618703753	Flange kit~counter round~~~60-85~B~NW100(8 holes) x G 4~AISI304~~EN1092-1 TYPE13 PN25/40~Pos. 723
903.02	3618700001	Screwed plug~Kit~~~2-85~B~C=G 1/4~AISI316/FPM/EPDM/HNBR~(WRAS)~DIN910~Pos. 903.02

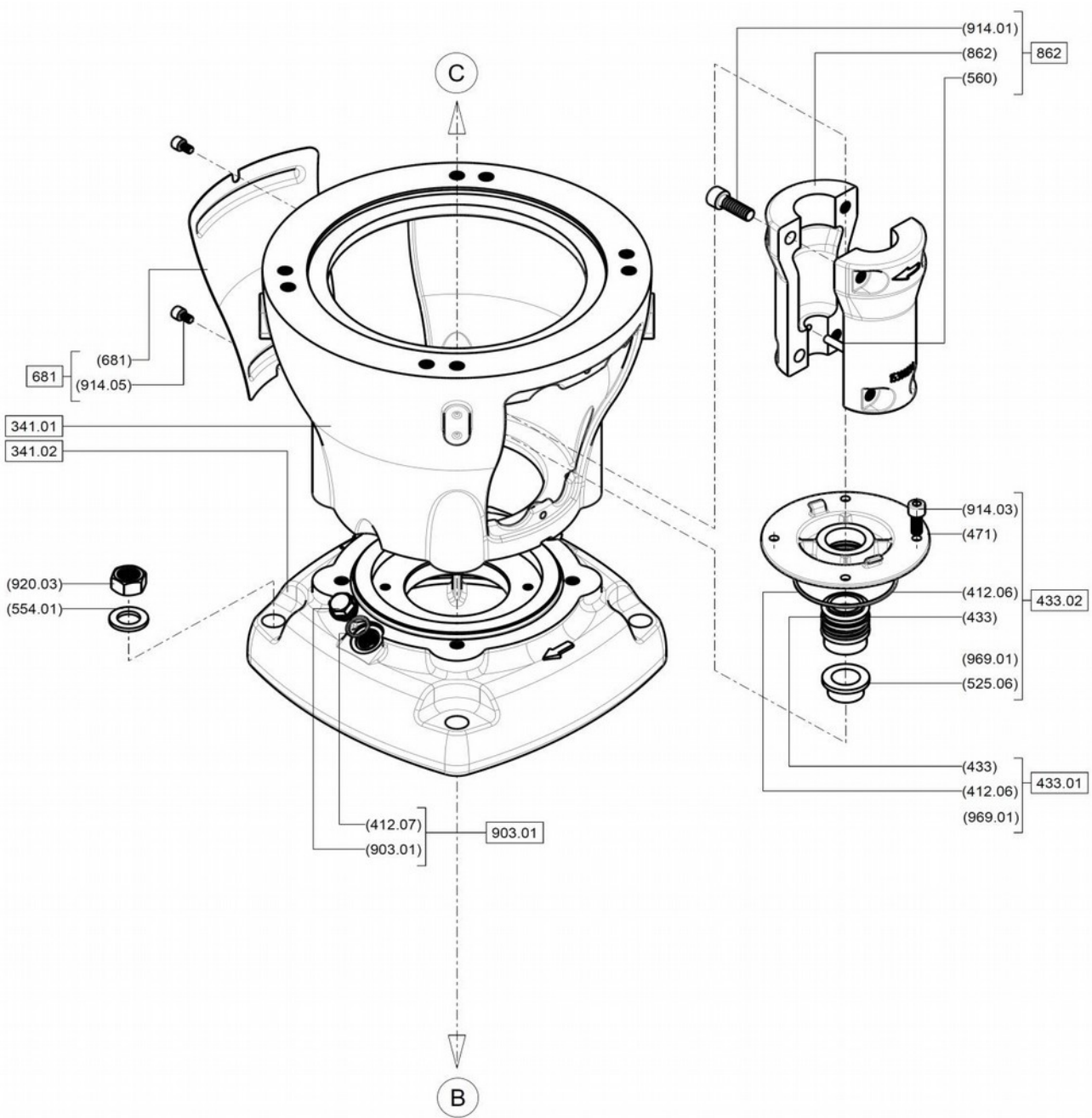


Drawing-no. SP2085100

Pos.nr.	Art.nr.	Component description
10-6	3613850341	Pump shroud~~~85/1~B~D=ø236 L=129~AISI316~Pos. 10-6
	3613850342	Pump shroud~~~85/2~B~D=ø236 L=238~AISI316~Pos. 10-6
	3613850343	Pump shroud~~~85/3~B~D=ø236 L=347~AISI316~Pos. 10-6
	3613850344	Pump shroud~~~85/4~B~D=ø236 L=456~AISI316~Pos. 10-6
	3613850345	Pump shroud~~~85/5~B~D=ø236 L=565~AISI316~Pos. 10-6
	3613850346	Pump shroud~~~85/6~B~D=ø236 L=674~AISI316~Pos. 10-6
108.01	3618709043	Stage casing~Kit~~~85~B~~AISI316/FPM/EPDM/HNBR~(WRAS/NSF)~Revision kit~Pos. 108.01
108.02	3618709042	Stage casing~With bearing - kit~~~85~B~~AISI316/FPM/EPDM/HNBR~(WRAS/NSF)~Revision kit~Pos. 108.02
210	3613850561	Shaft~~~85/1~B~D=ø22 L=284~AISI329~Pos. 210
	3613850562	Shaft~~~85/2~B~D=ø22 L=393~AISI329~Pos. 210
	3613850563	Shaft~~~85/3~B~D=ø22 L=502~AISI329~Pos. 210
	3613850564	Shaft~~~85/4~B~D=ø22 L=611~AISI329~Pos. 210
	3613850565	Shaft~~~85/5~B~D=ø22 L=720~AISI329~Pos. 210
	3613850566	Shaft~~~85/6~B~D=ø22 L=829~AISI329~Pos. 210
230.01	3613850300	Impeller~~~85~B~D=ø149 H=45.9~AISI316~Pos. 230.01
230.02	3613850301	Impeller~Reduced head~~~85~B~D=ø138.7 H=45.5~AISI316~Pos. 230.02
412.01	3618700010	O-ring~kit - for shroud~~~85~B~d=ø234.32 T=5.33~EPDM WRAS/NSF~~70 Shore (2 pcs)~Pos. 412.01
	3618700011	O-ring~kit - for shroud~~~85~B~d=ø234.32 T=5.33~FPM~Green~70 Shore (2 pcs)~Pos. 412.01
	3618700012	O-ring~kit - for shroud~~~85~B~d=ø234.32 T=5.33~HNBR~Yellow~70 Shore (2 pcs)~Pos. 412.01
	3618700013	O-ring~kit - for shroud~~~85~B~d=ø234.32 T=5.33~EPDM 559236 (SPECIAL)~~70 Shore (2 pcs)~Pos. 412.01
412.03	3618850210	O-ring~For stage casing~~~85~B~d=ø94.62 T=5.33~EPDM 55985 WRAS/KTW/DVGW-W270~~70 Shore~Pos. 412.03
	3618850211	O-ring~For stage casing~~~85~B~d=ø94.62 T=5.33~FPM 51414~Green~70 Shore~Pos. 412.03
	3618850212	O-ring~For stage casing~~~85~B~d=ø94.62 T=5.33~HNBR~Yellow~70 Shore~Pos. 412.03
45-4	3618850010	Spacer~~~~85~B~D=ø8 L=25~EPDM 55985 WRAS/KTW/DVGW-W270~~70 Shore~Pos. 45-4
	3618850011	Spacer~~~~85~B~D=ø8 L=25~FPM~~70 Shore~Pos. 45-4
	3618850012	Spacer~~~~85~B~D=ø8 L=25~HNBR~~70 Shore~Pos. 45-4
503	3613850311	Impeller wear ring~~~85~B~D=ø92.3 H=10.5~AISI316~Pos. 503
525.02	13660378	Spacer sleeve~Middle~65~A~VS85~B~D=ø28 d=ø22.15 L=37~AISI316~Pos. 525.02
525.03	13330375	Spacer sleeve~Long~24/32/45~A~~~D=ø28 d=ø22.15 L=44.5~AISI316~Pos. 525.03
525.05	13330190	Spacer sleeve~Seal~24/32/45-20->200~A~VS85~B~D=ø28 d=ø22.08 L=38.5~AISI316~~~Pos. 525.05
81-88	18706003	Shaft end~Kit~24/32/45/65~A~V(C/S)25~85~B~D=ø22~AISI316~~Revision kit~Pos. 81-88
905	14160357	Tie bolt~~~85/1~B~L=357 C=M16~AISI431~Pos. 905
	14160466	Tie bolt~~~85/2~B~L=466 C=M16~AISI431~Pos. 905
	14160575	Tie bolt~~~85/3~B~L=575 C=M16~AISI431~Pos. 905
	14160684	Tie bolt~~~85/4~B~L=684 C=M16~AISI431~Pos. 905
	14160794	Tie bolt~65-80~A~85/5~B~L=794 C=M16~AISI431~Pos. 905
	14160907	Tie bolt~65-70~A~25/11 - 85/6~B~L=907 C=M16~AISI431~Pos. 905

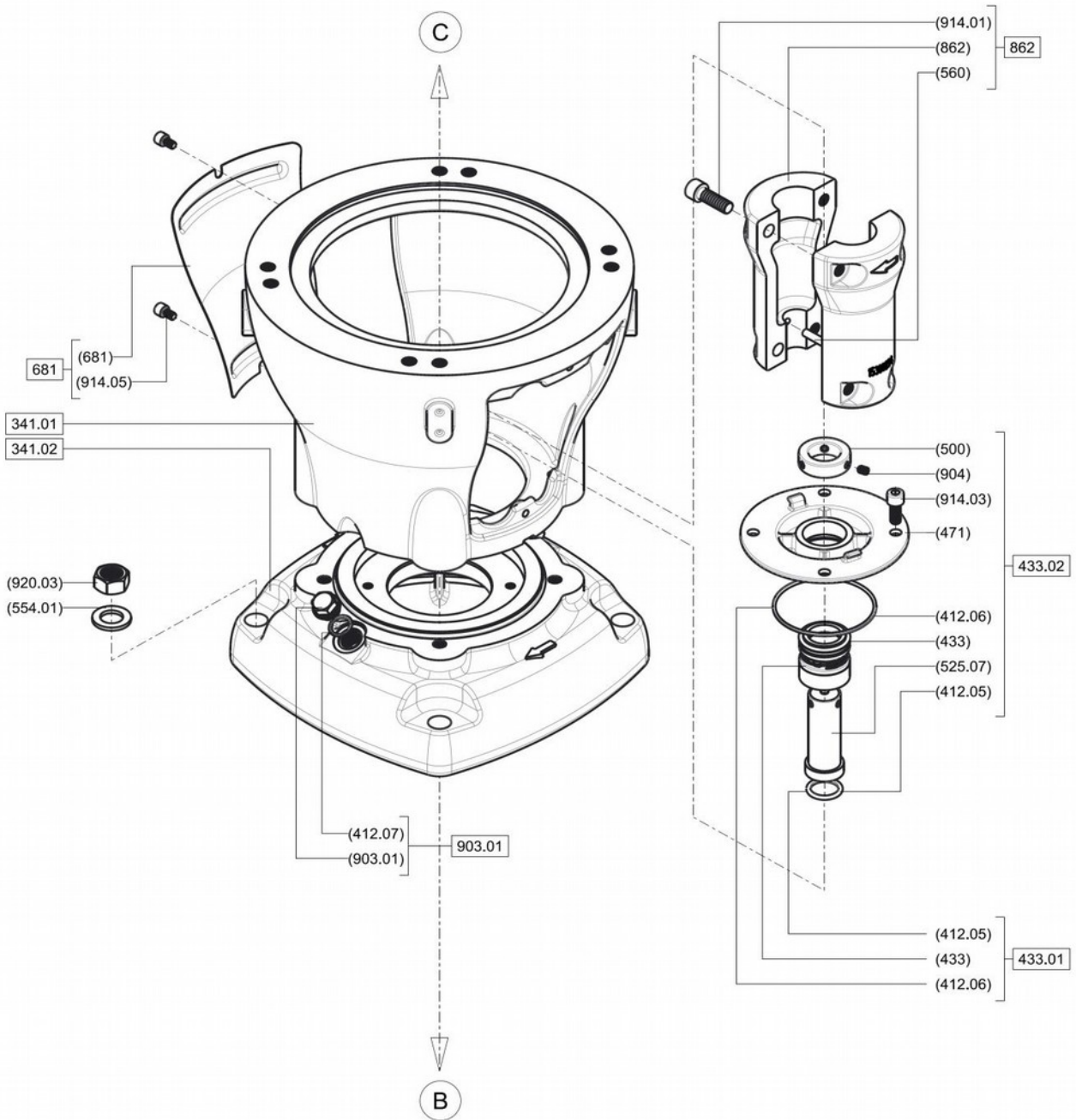
MULTI VS C 85 Hydraulic Assembly

Pos.nr.	Art.nr.	Kit description
200	3618739101	Hydraulic assembly kit~85/1-1-B-D=ø198 L=284~AIS1316/EPDM WRAS~50/60Hz~Pos. 200
	3618739102	Hydraulic assembly kit~85/1-B-D=ø198 L=284~AIS1316/EPDM WRAS~50/60Hz~Pos. 200
	3618739103	Hydraulic assembly kit~85/2-2-B-D=ø198 L=393~AIS1316/EPDM WRAS~50/60Hz~Pos. 200
	3618739104	Hydraulic assembly kit~85/2-1-B-D=ø198 L=393~AIS1316/EPDM WRAS~50/60Hz~Pos. 200
	3618739105	Hydraulic assembly kit~85/2-B-D=ø198 L=393~AIS1316/EPDM WRAS~50/60Hz~Pos. 200
	3618739106	Hydraulic assembly kit~85/3-2-B-D=ø198 L=502~AIS1316/EPDM WRAS~50/60Hz~Pos. 200
	3618739107	Hydraulic assembly kit~85/3-1-B-D=ø198 L=502~AIS1316/EPDM WRAS~50/60Hz~Pos. 200
	3618739108	Hydraulic assembly kit~85/3-B-D=ø198 L=502~AIS1316/EPDM WRAS~50/60Hz~Pos. 200
	3618739109	Hydraulic assembly kit~85/4-2-B-D=ø198 L=611~AIS1316/EPDM WRAS~50/60Hz~Pos. 200
	3618739110	Hydraulic assembly kit~85/4-1-B-D=ø198 L=611~AIS1316/EPDM WRAS~50/60Hz~Pos. 200
	3618739111	Hydraulic assembly kit~85/4-B-D=ø198 L=611~AIS1316/EPDM WRAS~50/60Hz~Pos. 200
	3618739112	Hydraulic assembly kit~85/5-2-B-D=ø198 L=720~AIS1316/EPDM WRAS~50/60Hz~Pos. 200
	3618739113	Hydraulic assembly kit~85/5-1-B-D=ø198 L=720~AIS1316/EPDM WRAS~50/60Hz~Pos. 200
	3618739114	Hydraulic assembly kit~85/5-B-D=ø198 L=720~AIS1316/EPDM WRAS~50/60Hz~Pos. 200
	3618739115	Hydraulic assembly kit~85/6-2-B-D=ø198 L=829~AIS1316/EPDM WRAS~50/60Hz~Pos. 200
	3618739116	Hydraulic assembly kit~85/6-1-B-D=ø198 L=829~AIS1316/EPDM WRAS~50/60Hz~Pos. 200
	3618739117	Hydraulic assembly kit~85/6-B-D=ø198 L=829~AIS1316/EPDM WRAS~50/60Hz~Pos. 200
	3618739201	Hydraulic assembly kit~85/1-1-B-D=ø198 L=284~AIS1316/FPM~50/60Hz~Pos. 200
	3618739202	Hydraulic assembly kit~85/1-B-D=ø198 L=284~AIS1316/FPM~50/60Hz~Pos. 200
	3618739203	Hydraulic assembly kit~85/2-2-B-D=ø198 L=393~AIS1316/FPM~50/60Hz~Pos. 200
	3618739204	Hydraulic assembly kit~85/2-1-B-D=ø198 L=393~AIS1316/FPM~50/60Hz~Pos. 200
	3618739205	Hydraulic assembly kit~85/2-B-D=ø198 L=393~AIS1316/FPM~50/60Hz~Pos. 200
	3618739206	Hydraulic assembly kit~85/3-2-B-D=ø198 L=502~AIS1316/FPM~50/60Hz~Pos. 200
	3618739207	Hydraulic assembly kit~85/3-1-B-D=ø198 L=502~AIS1316/FPM~50/60Hz~Pos. 200
	3618739208	Hydraulic assembly kit~85/3-B-D=ø198 L=502~AIS1316/FPM~50/60Hz~Pos. 200
	3618739209	Hydraulic assembly kit~85/4-2-B-D=ø198 L=611~AIS1316/FPM~50/60Hz~Pos. 200
	3618739210	Hydraulic assembly kit~85/4-1-B-D=ø198 L=611~AIS1316/FPM~50/60Hz~Pos. 200
	3618739211	Hydraulic assembly kit~85/4-B-D=ø198 L=611~AIS1316/FPM~50/60Hz~Pos. 200
	3618739212	Hydraulic assembly kit~85/5-2-B-D=ø198 L=720~AIS1316/FPM~50/60Hz~Pos. 200
	3618739213	Hydraulic assembly kit~85/5-1-B-D=ø198 L=720~AIS1316/FPM~50/60Hz~Pos. 200
	3618739214	Hydraulic assembly kit~85/5-B-D=ø198 L=720~AIS1316/FPM~50/60Hz~Pos. 200
	3618739215	Hydraulic assembly kit~85/6-2-B-D=ø198 L=829~AIS1316/FPM~50/60Hz~Pos. 200
	3618739216	Hydraulic assembly kit~85/6-1-B-D=ø198 L=829~AIS1316/FPM~50/60Hz~Pos. 200
	3618739217	Hydraulic assembly kit~85/6-B-D=ø198 L=829~AIS1316/FPM~50/60Hz~Pos. 200



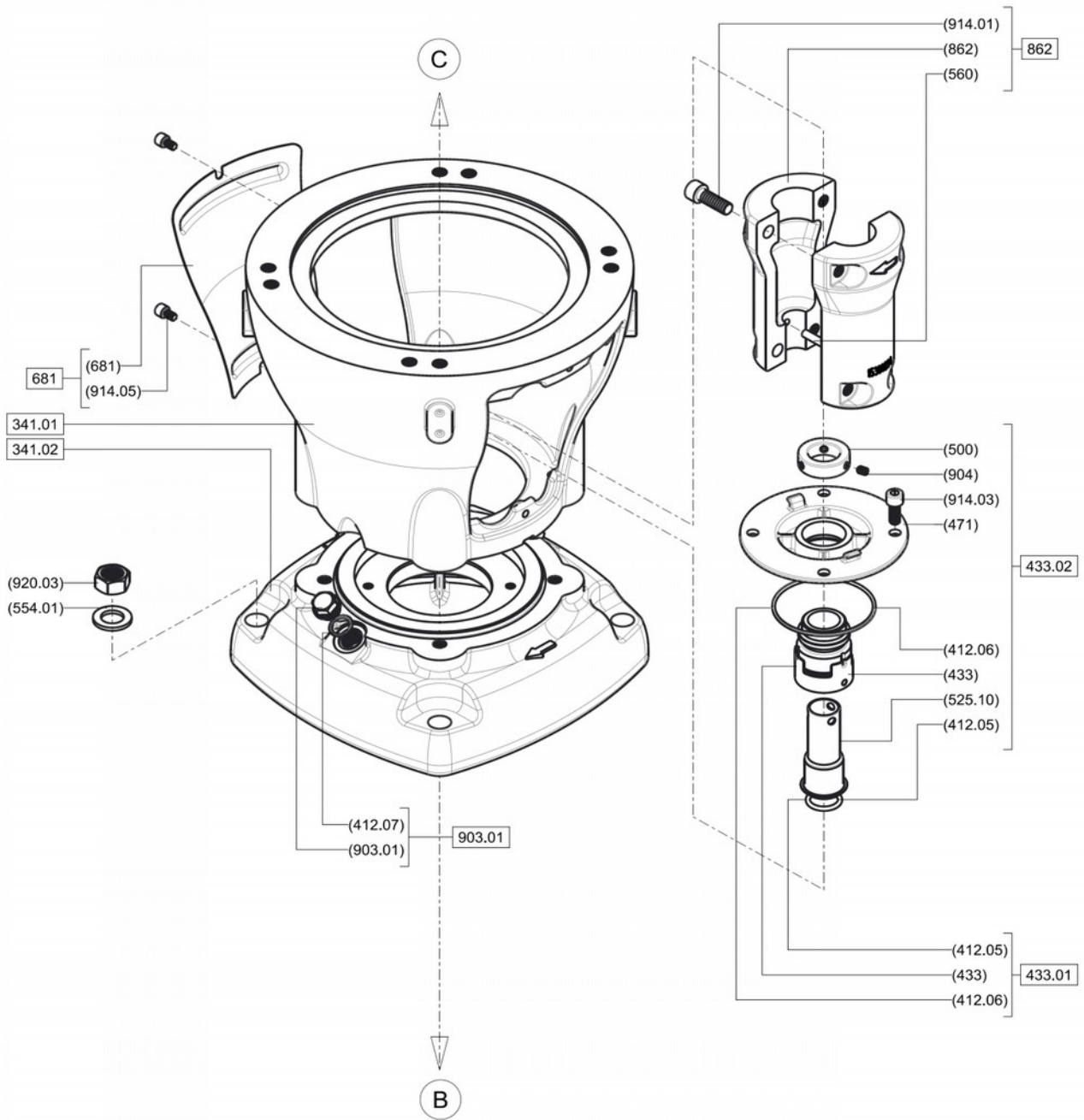
Drawing-no. SP2085223

Pos.nr.	Art.nr.	Component description
341.01	3618850020	Motor Stool~Upper (with holes)~~~85~B~Stc.265 (max. 45kW)~JL1040~RAL5002~~Pos. 341.01
	3618850029	Motor stool~Upper~~~85~B~Stc.265 (max. 45kW)~JL1040~RAL5002~~Pos. 341.01
341.02	3618850018	Motor stool~Lower~~~85~B~B=270 D=270 H=96.2~JL1040~Pos. 341.02
433.01	3618722153	Mechanical seal~Revision kit~85~B~d=ø22~Easy access~13~RMG12-G606~SiC~Ca~EPDM WRAS~PN25~~EPDM WRAS/ACS/NSF~-20/+100°C~Pos. 433.01
	3618722183	Mechanical seal~Revision kit~85~B~d=ø22~Easy access~14~RMG12-G606~SiC~Ca~FPM~PN25~~FPM~-20/+120°C~Pos. 433.01
	3618722176	Mechanical seal~Revision kit~85~B~d=ø22~Easy access~15~RMG12-G606~TuC~TuC~HNBR~PN25(PN16)~~HNBR~-20/+120(140)°C~Pos. 433.01
	3618722177	Mechanical seal~Revision kit~85~B~d=ø22~Easy access~16~RMG12-G606~TuC~TuC~FPM~PN25(PN16)~~FPM~-20/+120(140)°C~Pos. 433.01
	3618722188	Mechanical seal~Revision kit~85~B~d=ø22~Easy access~18~RMG12-G606~TuC~Ca~EPDM~PN25(PN16)~~EPDM 559236 (SPECIAL)~-20/+120(140)°C~Pos. 433.01
	3618722181	Mechanical seal~Revision kit~~~85~B~d=ø22~Easy access~24~MG12-G60~SiC~SiC~FPM~PN10~~FPM~-20/+120°C~Pos. 433.01
	3618722186	Mechanical seal~Revision kit~~~85~B~d=ø22~Easy access~28~MG12-G60~SiC~SiC~HNBR~PN10~~HNBR~-20/+120°C~Pos. 433.01
	3618722182	Mechanical seal~Revision kit~~~85~B~d=ø22~Easy access~29~MG12-G60~SiC~SiC~EPDM~PN10~~EPDM~-20/+100°C~Pos. 433.01
	433.02	3618722253
3618722283		Mechanical seal~Kit complete~~~85~B~d=ø22~Easy access~14~RMG12-G606~ SiC~Ca~FPM~PN25~AISI316~FPM~-20/+120°C~Pos. 433.02
3618722276		Mechanical seal~Kit complete~~~85~B~d=ø22~Easy access~15~RMG12-G606~ TuC~TuC~HNBR~PN25(PN16)~AISI316~HNBR~-20/+120(140)°C~Pos. 433.02
3618722277		Mechanical seal~Kit complete~~~85~B~d=ø22~Easy access~16~RMG12-G606~ TuC~TuC~FPM~PN25(PN16)~AISI316~FPM~-20/+120(140)°C~Pos. 433.02
3618722288		Mechanical seal~Kit complete~~~85~B~d=ø22~Easy access~18~RMG12-G606~ TuC~Ca~EPDM~PN25(PN16)~AISI316~EPDM 559236 (SPECIAL)~-20/+120(140)°C~Pos. 433.02
3618722281		Mechanical seal~Kit complete~~~85~B~d=ø22~Easy access~24~MG12-G60~ SiC~SiC~FPM~PN10~AISI316~FPM~-20/+120°C~Pos. 433.02
3618722286		Mechanical seal~Kit complete~~~85~B~d=ø22~Easy access~28~MG12-G60~ SiC~SiC~HNBR~PN10~AISI316~HNBR~-20/+120°C~Pos. 433.02
3618722282		Mechanical seal~Kit complete~~~85~B~d=ø22~Easy access~29~MG12-G60~ SiC~SiC~EPDM~PN10~AISI316~EPDM~-20/+100°C~Pos. 433.02
681		3618700215
	3618700815	Coupling guard~Kit~~~40~85~B~Stc.265/279.4~AISI304~~~Pos. 681
862	3618702001	Coupling~Kit~~~25~85~B~d=ø22 D=ø38~JS1030~~~Pos. 862
	3618702002	Coupling~Kit~~~25~85~B~d=ø22 D=ø42~JS1030~~~Pos. 862
	3618702003	Coupling~Kit~~~25~85~B~d=ø22 D=ø48~JS1030~~~Pos. 862
	3618702004	Coupling~Kit~~~25~85~B~d=ø22 D=ø55~JS1030~~~Pos. 862
	3618702005	Coupling~Kit~~~25~85~B~d=ø22 D=ø34.9~JS1030~~~Pos. 862
	3618702006	Coupling~Kit~~~25~85~B~d=ø22 D=ø41.3~JS1030~~~Pos. 862
	3618702007	Coupling~Kit~~~25~85~B~d=ø22 D=ø47.6~JS1030~~~Pos. 862
903.01	3618700004	Screwed plug~Kit~~~2~85~B~C=G 3/8~AISI316/FPM/EPDM/HNBR~(WRAS)~DIN910~Pos. 903.01



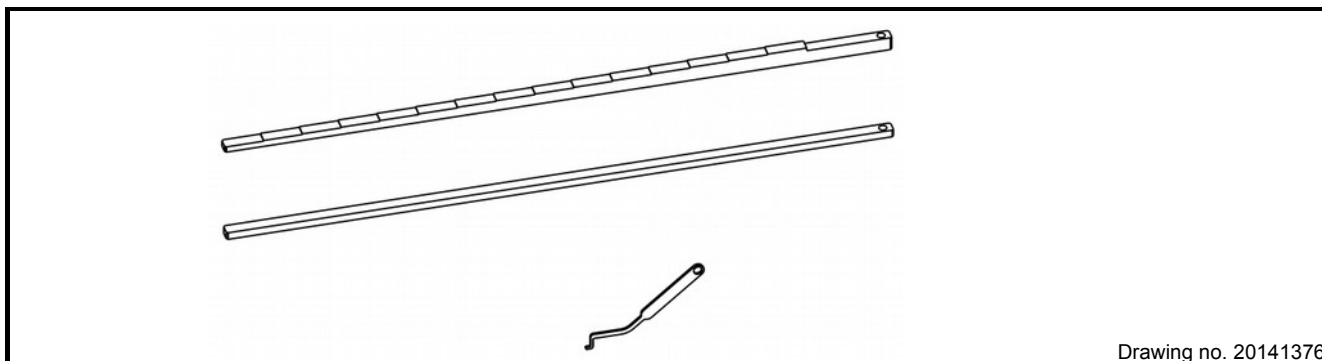
Drawing-no. SP2085233

Pos.nr.	Art.nr.	Component description
341.01	3618850020	Motor Stool~Upper (with holes)~~~85~B~Stc.265 (max. 45kW)~JL1040~RAL5002~~Pos. 341.01
	3618850029	Motor stool~Upper~~~85~B~Stc.265 (max. 45kW)~JL1040~RAL5002~Pos. 341.01
341.02	3618850018	Motor stool~Lower~~~85~B~B=270 D=270 H=96.2~JL1040~Pos. 341.02
433.01	3618726153	Mechanical seal~Cartridge revision kit~~~85~B~D=ø22~d=ø25~Cartridge~13~RMG12-G606~SiC~Ca~EPDM WRAS~PN25~~EPDM WRAS/ACS/NSF~-20/+100°C~Pos. 433.01
	3618726183	Mechanical seal~Cartridge revision kit~~~85~B~D=ø22~d=ø25~Cartridge~14~RMG12-G606~SiC~Ca~FPM~PN25~~FPM~-20/+120°C~Pos. 433.01
	3618726176	Mechanical seal~Cartridge revision kit~~~85~B~D=ø22~d=ø25~Cartridge~15~RMG12-G606~TuC~TuC~HNBR~PN25(PN16)~~HNBR~-20/+120(140)°C~Pos. 433.01
	3618726177	Mechanical seal~Cartridge revision kit~~~85~B~D=ø22~d=ø25~Cartridge~16~RMG12-G606~TuC~TuC~FPM~PN25(PN16)~~FPM~-20/+120(140)°C~Pos. 433.01
	3618726188	Mechanical seal~Cartridge revision kit~~~85~B~D=ø22~d=ø25~Cartridge~18~RMG12-G606~TuC~Ca~EPDM~PN25(PN16)~~EPDM 559236 (SPECIAL)~-20/+120(140)°C~Pos. 433.01
	3618726181	Mechanical seal~Cartridge revision kit~~~85~B~D=ø22~d=ø25~Cartridge~24~MG12-G60~SiC~SiC~FPM~PN10~~FPM~-20/+120°C~Pos. 433.01
	3618726186	Mechanical seal~Cartridge revision kit~~~85~B~D=ø22~d=ø25~Cartridge~28~MG12-G60~SiC~SiC~HNBR~PN10~~HNBR~-20/+120°C~Pos. 433.01
	3618726182	Mechanical seal~Cartridge revision kit~~~85~B~D=ø22~d=ø25~Cartridge~29~MG12-G60~SiC~SiC~EPDM~PN10~~EPDM~-20/+100°C~Pos. 433.01
433.02	3618726253	Mechanical seal~Cartridge kit assembled~~~85~B~D=ø22~d=ø25~Cartridge~13~RMG12-G606~SiC~Ca~EPDM WRAS~PN25~AIS1316~EPDM WRAS/ACS/NSF~-20/+100°C~Pos. 433.02
	3618726283	Mechanical seal~Cartridge kit assembled~~~85~B~D=ø22~d=ø25~Cartridge~14~RMG12-G606~SiC~Ca~FPM~PN25~AIS1316~FPM~-20/+120°C~Pos. 433.02
	3618726276	Mechanical seal~Cartridge kit assembled~~~85~B~D=ø22~d=ø25~Cartridge~15~RMG12-G606~TuC~TuC~HNBR~PN25(PN16)~AIS1316~HNBR~-20/+120(140)°C~Pos. 433.02
	3618726277	Mechanical seal~Cartridge kit assembled~~~85~B~D=ø22~d=ø25~Cartridge~16~RMG12-G606~TuC~TuC~FPM~PN25(PN16)~AIS1316~FPM~-20/+120(140)°C~Pos. 433.02
	3618726288	Mechanical seal~Cartridge kit assembled~~~85~B~D=ø22~d=ø25~Cartridge~18~RMG12-G606~TuC~Ca~EPDM~PN25(PN16)~AIS1316~EPDM 559236 (SPECIAL)~-20/+120(140)°C~Pos. 433.02
	3618726281	Mechanical seal~Cartridge kit assembled~~~85~B~D=ø22~d=ø25~Cartridge~24~MG12-G60~SiC~SiC~FPM~PN10~AIS1316~FPM~-20/+120°C~Pos. 433.02
	3618726286	Mechanical seal~Cartridge kit assembled~~~85~B~D=ø22~d=ø25~Cartridge~28~MG12-G60~SiC~SiC~HNBR~PN10~AIS1316~HNBR~-20/+120°C~Pos. 433.02
	3618726282	Mechanical seal~Cartridge kit assembled~~~85~B~D=ø22~d=ø25~Cartridge~29~MG12-G60~SiC~SiC~EPDM~PN10~AIS1316~EPDM~-20/+100°C~Pos. 433.02
681	3618700215	Coupling guard~Kit~~~40~85~B~Stc.149.2 (7.5-30hp)~AIS1304~~~Pos. 681
	3618700815	Coupling guard~Kit~~~40~85~B~Stc.265/279.4~AIS1304~~~Pos. 681
862	3618702001	Coupling~Kit~~~25~85~B~d=ø22 D=ø38~JS1030~~~Pos. 862
	3618702002	Coupling~Kit~~~25~85~B~d=ø22 D=ø42~JS1030~~~Pos. 862
	3618702003	Coupling~Kit~~~25~85~B~d=ø22 D=ø48~JS1030~~~Pos. 862
	3618702004	Coupling~Kit~~~25~85~B~d=ø22 D=ø55~JS1030~~~Pos. 862
	3618702005	Coupling~Kit~~~25~85~B~d=ø22 D=ø34.9~JS1030~~~Pos. 862
	3618702006	Coupling~Kit~~~25~85~B~d=ø22 D=ø41.3~JS1030~~~Pos. 862
	3618702007	Coupling~Kit~~~25~85~B~d=ø22 D=ø47.6~JS1030~~~Pos. 862
903.01	3618700004	Screwed plug~Kit~~~2~85~B~C=G 3/8~AIS1316/FPM/EPDM/HNBR~(WRAS)~DIN910~Pos. 903.01



Drawing-no. SP2085243

Pos.nr.	Art.nr.	Component description
341.01	3618850020	Motor Stool~Upper (with holes)~~~85~B~Stc.265 (max. 45kW)~JL1040~RAL5002~~Pos. 341.01
	3618850029	Motor stool~Upper~~~85~B~Stc.265 (max. 45kW)~JL1040~RAL5002~~Pos. 341.01
341.02	3618850018	Motor stool~Lower~~~85~B~B=270 D=270 H=96.2~JL1040~Pos. 341.02
433.01	3618726175	Mechanical seal~Cartridge revision kit~~~85~B~D=ø22~d=ø25~Cartridge~20~H7N~SiC~Ca~EPDM~PN40(PN25)~~EPDM 559236 (SPECIAL)~-20/+120(140)°C~Pos. 433.01
	3618726172	Mechanical seal~Cartridge revision kit~~~85~B~D=ø22~d=ø25~Cartridge~21~H7N~SiC~Ca~FPM~PN40(PN25)~~FPM~-20/+120(140)°C~Pos. 433.01
	3618726174	Mechanical seal~Cartridge revision kit~~~85~B~D=ø22~d=ø25~Cartridge~22~H7N~SiC~Ca~HNBR~PN40(PN25)~~HNBR~-20/+120(140)°C~Pos. 433.01
433.02	3618726275	Mechanical seal~Cartridge kit assembled~~~85~B~D=ø22~d=ø25~Cartridge~20~H7N~SiC~Ca~EPDM~PN40(PN25)~AISI316~EPDM 559236 (SPECIAL)~-20/+120(140)°C~Pos. 433.02
	3618726272	Mechanical seal~Cartridge kit assembled~~~85~B~D=ø22~d=ø25~Cartridge~21~H7N~SiC~Ca~FPM~PN40(PN25)~AISI316~FPM~-20/+120(140)°C~Pos. 433.02
	3618726274	Mechanical seal~Cartridge kit assembled~~~85~B~D=ø22~d=ø25~Cartridge~22~H7N~SiC~Ca~HNBR~PN40(PN25)~AISI316~HNBR~-20/+120(140)°C~Pos. 433.02
681	3618700215	Coupling guard~Kit~~~40~85~B~Stc.149.2 (7.5-30hp)~AISI304~~~Pos. 681
	3618700815	Coupling guard~Kit~~~40~85~B~Stc.265/279.4~AISI304~~~Pos. 681
862	3618702001	Coupling~Kit~~~25~85~B~d=ø22 D=ø38~JS1030~~~Pos. 862
	3618702002	Coupling~Kit~~~25~85~B~d=ø22 D=ø42~JS1030~~~Pos. 862
	3618702003	Coupling~Kit~~~25~85~B~d=ø22 D=ø48~JS1030~~~Pos. 862
	3618702004	Coupling~Kit~~~25~85~B~d=ø22 D=ø55~JS1030~~~Pos. 862
	3618702005	Coupling~Kit~~~25~85~B~d=ø22 D=ø34.9~JS1030~~~Pos. 862
	3618702006	Coupling~Kit~~~25~85~B~d=ø22 D=ø41.3~JS1030~~~Pos. 862
	3618702007	Coupling~Kit~~~25~85~B~d=ø22 D=ø47.6~JS1030~~~Pos. 862
903.01	3618700004	Screwed plug~Kit~~~2~85~B~C=G 3/8~AISI316/FPM/EPDM/HNBR~(WRAS)~DIN910~Pos. 903.01



Drawing no. 20141376

Pos.nr.	Art.nr.	Kit description
969.02	3618702000	Tool kit~For adjustment hydraulics~~~2-85~B~~K110/AISI301~~~Pos. 969.02

The kit consists of

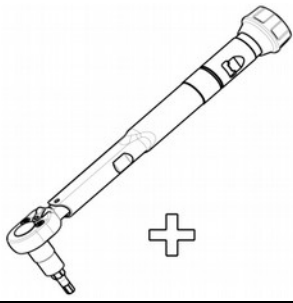
Quantity	Kit component description
1	Tool~For adjustment hydraulics~~~2-85~B~L=430 B=8 H=11~K110~~Fixed/Easy Access~Pos. 969.02
1	Support Tool~For adjustment hydraulics~~~2-85~B~L=430 B=8 H=5~K110~~Fixed/Easy Access~Pos. 969.03
1	Tool~For adjustment hydraulics~~~2-85~B~L=90 B=13 s=1.5 AISI301~C45~~Cartridge~Pos. 969.04

Art.nr.	Article description
K368000225	Tool box DP labeled

Pos.nr.	Art.nr.	Kit description
969.06	3618701997	Tool box kit~Basic - for pump assembly~N 2-65~A~N 2-85~B~L=505 B=295 H=265 ~~~DP~Pos. 969.06

The kit consists of

Quantity	Kit component description
1	Hexagon socket wrench, screw driver, 3mm, ball head
1	Hexagon socket wrench~PB~3mm~with ball head
1	Hexagon socket wrench, 5mm
1	Hexagon socket wrench, 6mm
1	Hexagon socket wrench, 8mm
1	Hexagon socket wrench kit, 1.5 up to 10mm, with ball head
1	Screwdriver, hexagonal wrench socket~7mm
1	Screwdriver, hexagonal wrench socket~8mm
1	Wrench~17mm~DIN3113
1	Wrench~10mm~DIN3113
1	Wrench~13mm~DIN3113
1	Wrench~19mm~DIN3113
1	Wrench~22mm~DIN3113
1	Wrench~24mm~DIN3113
1	Philips screwdriver 190-1
1	Philips screwdriver 190-2
1	Philips screwdriver 100-1
1	Philips screwdriver 100-4
1	Hammer, 40mm, NYLON
1	Tie lifter~~L=300~~
1	O-ring disassembling tool~~L=140~~

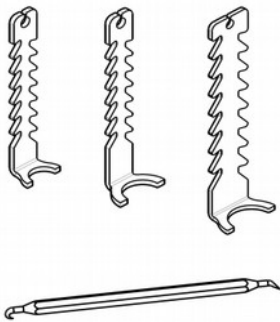


Drawing no. 20141376

Pos.nr.	Art.nr.	Kit description
969.08	3618701993	Tool kit~Torque wrench 1/2~N 2-65~A~N 2-85~B~~~~~Pos. 969.08
	3618701994	Tool kit~Torque wrench 1/4~~~~2-85~B~1/4~~~~~Pos. 969.08

The kit consists of

Quantity	Kit component description
1	Torque wrench~10-100Nm 1/2"~L=395-ISO 6789~
1	Wrench socket~13mm~connection 1/2"
1	Socket wrench~connection 1/2"~17mm
1	Socket wrench~connection 1/2"~24mm
1	Socket wrench~connection 1/2"~19mm
1	Hexagon socket wrench~connection 1/2"~number 6
1	Hexagon socket wrench~connection 1/2"~number 8
1	Extention~~1/2" L=130mm~~
1	Torque wrench~1-5Nm 1/4"~L=220-ISO 6789~
1	Hexagon wrench socket 3MM~1/4" - extended~~~
1	Hexagon wrench socket~5/16"~L=30 s=4~
1	Hexagon wrench socket~5/16"~L=30 s=5~
1	Hexagon wrench socket~5/16"~L=30 s=6~
1	Adapter~~1/4" for wrench sockets 5/16" L=25~~



Drawing no. 20141376

Pos.nr.	Art.nr.	Component description
969.09	3618701992	Tool kit~for seal exchanging~N 2-65~A~N 2-85~B~~~~~Pos. 969.09

The kit consists of

Quantity	Component description
1	Seal puller~For ø12 mech. Seal~~~2/4/6~B~B=16 H=103~~~Pos. 969.01
1	Seal puller~For ø16 mech. Seal~~~10/15~B~~~Pos. 969.01
1	Seal puller~For ø22 mech. Seal~~~25-85~B~B=21 H=153~~~Pos. 969.01
1	Hexagon socket wrench~PB~3mm~with ball head
1	Disassembling tool o-ring~~L=140~~