



**ESPA** POOL

**CLUB**

**PRODUCT SELECTION**

**Specialists in the design, production and distribution of pumps, systems and water management equipment for the domestic, residential and professional sectors.**

With over 60 years of experience, we have been dedicated to promoting more conscious and efficient water management, encouraging responsible consumption and ingenious use of this vital resource.

Our vision transcends borders, and we are committed to playing an active role in the technological revolution that ensures the protection of water and the global environment we all share.

### **Sustainability and durability**

Our pumps are robust and reliable, not only because of the durability of the materials and the control over their manufacture, but also because of the availability of spare parts and the technical service network.



### **All our pumps are recyclable**

95% of the components in our product range are recyclable.

### **The best materials for pumps**

Long service life thanks to research into improving the quality of materials and manufacturing processes.



### **From raw material to finished product**

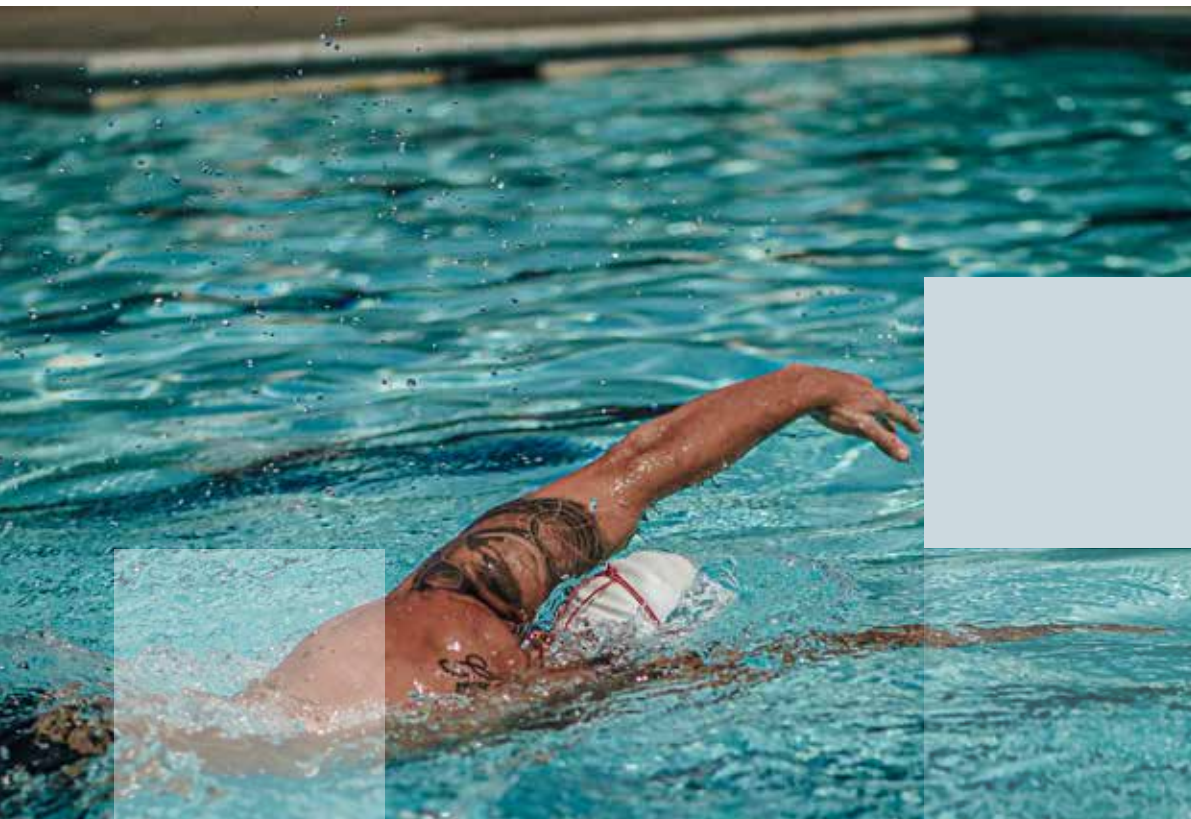
Our integrated production chain ensures effective control of the production process, from sourcing to final distribution.

# Recirculation and filtration



Continuous water movement,  
**without complications**

Water quality can only be achieved with a combination of professional, high-performance pumps and filters.



 **ESPA** POOL



# Recirculation and filtration

---

## Recirculation

Nox	6
Noxplus	9
Silen	12
Noxsalt	15
Silenplus	18
Repospool	21
Comerspool	24

## Filtration

FKB	25
FKP	27

## Cleaning

Multipool N	28
-------------	----

## Counter-current swimming

Nadorsel	29
----------	----

## Hydromassage and spa

Tiper	30
Wiper	31
Wiper 3	32

## Other applications

Piscis	33
--------	----

---

# Nox

## Single-stage centrifugal pump for water recirculation and filtration

Water recirculation and filtration for small swimming pools. Quiet.

### Nox 20

Up to 4 m<sup>3</sup>/h



With cable and plug



Hose connection



Above ground swimming pools

### Nox 25

Up to 6 m<sup>3</sup>/h



With cable and plug



Hose connection



Above ground swimming pools

# Nox



### Materials

Pump body, impeller, diffuser, suction and discharge in technopolymer. Pump shaft in AISI 431. Mechanical seal. Aluminium motor casing. NBR/EPDM seals.

### Motor

2-pole asynchronous. IPX5 protection. Class F insulation. Built-in thermal protection. Continuous operation.

### Equipment

2 m cable with F-type plug. Hose connection.  
**Nox 20:** 32 mm or 38 mm.  
**Nox 25:** 40 mm.

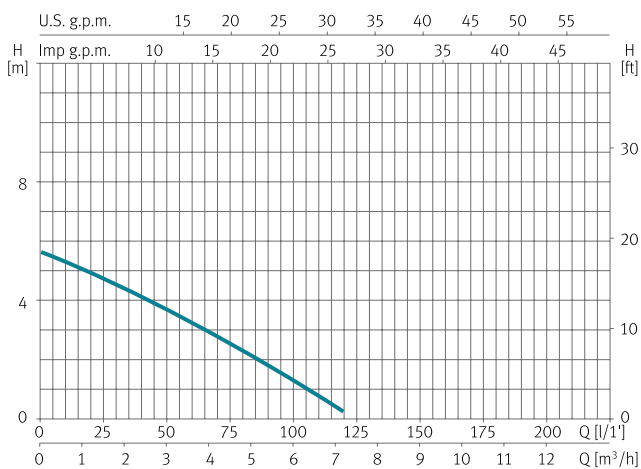
### Range of use

Maximum water temperature 40 °C. Compatible with salt water up to 7 g/l.

## Nox 20

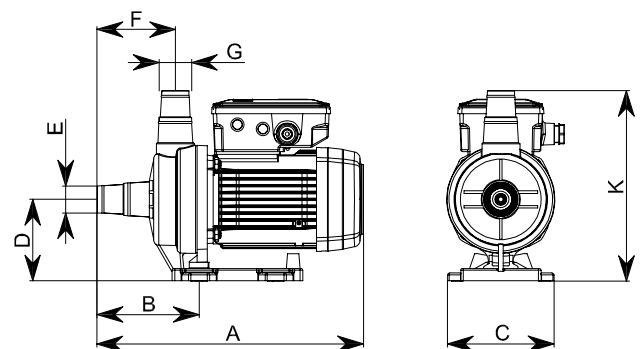
### Performance curves

(2900 rpm)



### Dimensions and weight

Model	A	B	C	D	E/G	F	H/I	J	Kg
Nox 20	305	118	204	94	38	90	32	219	4.5



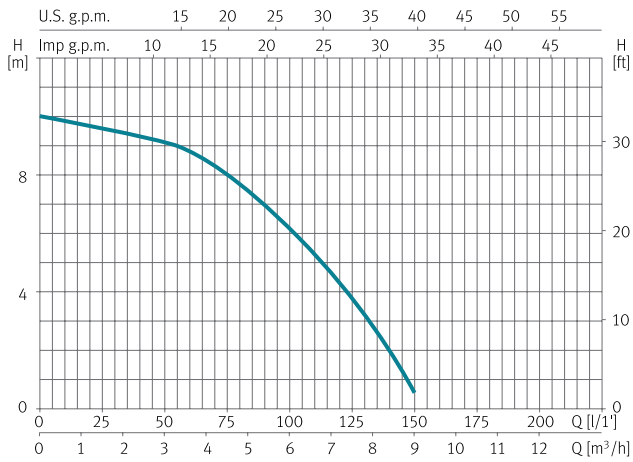
### Specifications table

Model	I [A]	P1 [kW]	P2		c [µF]	l/min	10	25	50	75	100	Code
	1~ 230V	1~	[kW]	[HP]								
Nox 20 4	1	0.2	0.15	0.2	6	mwc	5.3	4.7	3.7	2.7	1.3	203179

# Nox 25

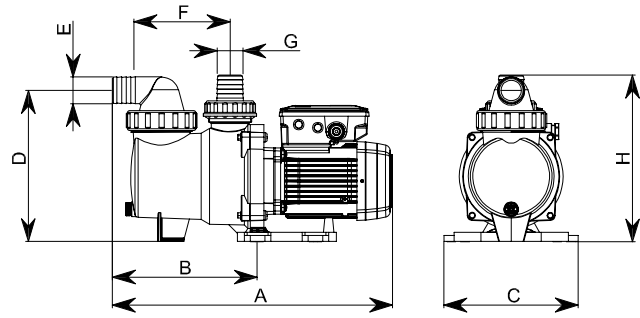
## Performance curves

(2900 rpm)



## Dimensions and weight

Model	A	B	C	D	E/G	F	H	Kg
Nox 25	405	221	158	231	40	158	250	5.1



## Specifications table

Model	I [A]	P1 [kW]	P2		c [μF]	l/min	10	25	50	75	100	125	150	Code
	1~ 230V	1~	[kW]	[HP]			m³/h	0.6	1.5	3	4.5	6	7.5	
Nox 25 6	1.5	0.3	0.18	0.25	6	mwc	9.8	9.6	9.1	8	6.1	3.8	0.6	203180

# Noxplus

Single-stage centrifugal pump with variable speed for water recirculation and filtration

Water recirculation and filtration for small and medium-sized swimming pools. Quiet. Self-priming up to 4 metres.

## Noxplus

Energy savings  
of up to 70%



Longer service  
life



Easy to use



Better filtration  
and water  
quality

## Noxplus 2

Energy savings  
of up to 70%



Longer service  
life



Easy to use



Better filtration  
and water  
quality

# Noxplus



### Materials

Pump body, impeller, diffuser, suction and discharge in technopolymer.  
 Pump shaft in AISI 431.  
 Mechanical seal.  
 Aluminium motor casing.  
 NBR/EPDM seals.

### Motor

2-pole synchronous.  
 PX5 protection.  
 Class F insulation.  
 Built-in thermal protection.  
 Continuous operation.

### Equipment

2 m cable with type F plug  
 Unions included.  
**Noxplus:** 50 mm & 1 1/2".  
**Noxplus 2:** 63 mm & 2".

### Range of use

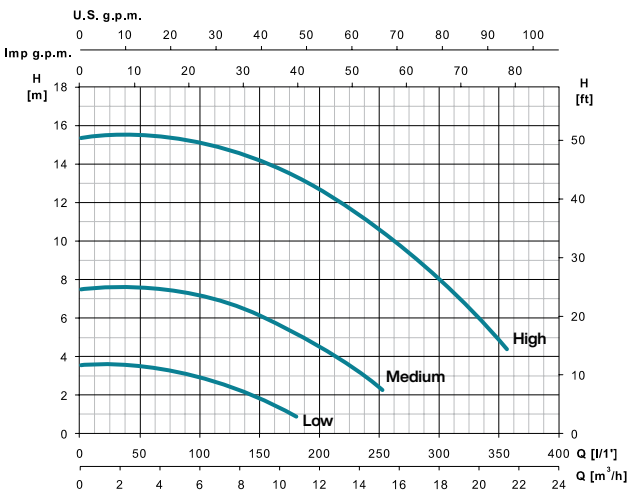
Maximum water temperature 40 °C.  
 Compatible with salt water up to 7 g/l.



# Noxplus

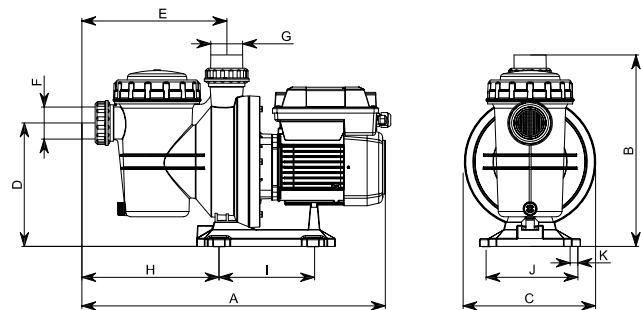
### Performance curves

(2900 rpm)



### Dimensions and weight

Model	A	B	C	D	E	F/G	H	I	J	K	Kg
Noxplus	549	346	238	223	262	50	170	Ø9	159	248	12.8



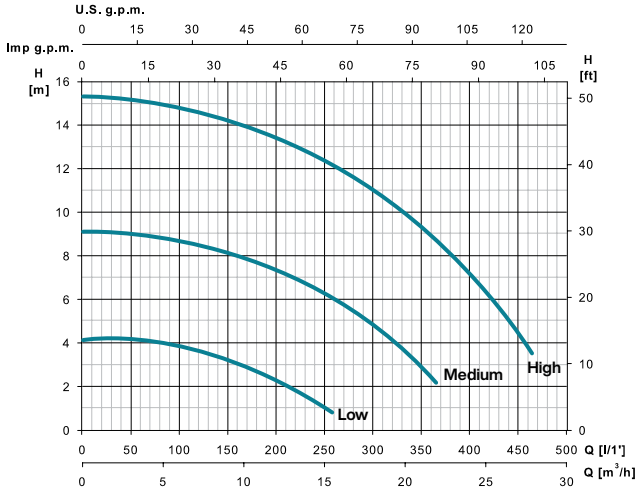
### Specifications table

Model	Speed	I [A]	P1 [kW]	P2		l/min	50	100	150	200	250	Code
		1~230V	1~	[kW]	[HP]							
Noxplus	High	7.6	1.1				15.5	15	14	13	11	214856
	Medium	3	0.4	0.75	1	mwc	7.5	7	6	4.5	-	
	Low	1.2	0.16				3.5	3	2	-	-	

# Noxplus 2

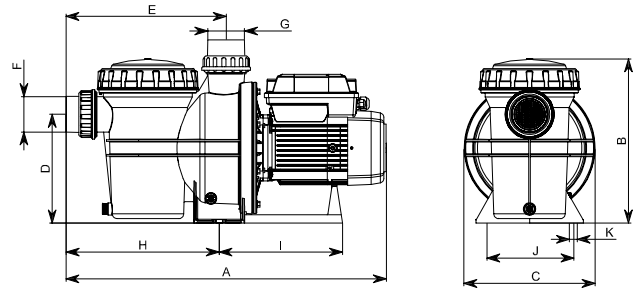
## Performance curves

(2900 rpm)



## Dimensions and weight

Model	A	B	C	D	E/G	F	H	I	J	K	Kg
Noxplus 2	624	272	327	222	63	285	326	Ø13	268	188	18.5



## Specifications table

Model	Speed	I	P1	P2		l/min	100	200	250	300	400	Code
		[A]	[kW]	[kW]	[HP]							
		1~ 230V	1~			m³/h	6	12	15	18	24	1-230V
Noxplus 2	High	10	1.5			mwc	15	13.5	12.5	11	7	216726
	Medium	5.3	0.75	1.5	2		9	7.5	6	5	-	
	Low	2	0.25				4	2.5	1	-	-	

# Silen

## Single-stage centrifugal pump for water recirculation and filtration

Water recirculation and filtration for small, medium and large swimming pools. Silent. Self-priming up to 4 m.

### Silen I

Up to 15 m<sup>3</sup>/h



Highly reliable



High performance



Easy maintenance

### Silen S

Up to 22 m<sup>3</sup>/h



Highly reliable



High performance



Easy maintenance

### Silen S2

Up to 36 m<sup>3</sup>/h



Highly reliable



Easy maintenance



# Silen



### Materials

Pump body, impeller, diffuser, suction and discharge in technopolymer.  
 Pump shaft in AISI 431.  
 Mechanical seal.  
 Aluminium motor casing.  
 NBR/EPDM seals.

### Motor

2-pole asynchronous.  
 IPX5 protection.  
 Class F insulation.  
 Built-in thermal protection.  
 Continuous operation.

### Equipment

No cable. Unions included:  
**Silen I:** 50 mm & 1 1/2"  
**Silen S:** Suction 63 mm & 2", with reducer to 50 mm & 1 1/2" included.  
 Discharge 50 mm  
**Silen S2:** 63 mm & 2"

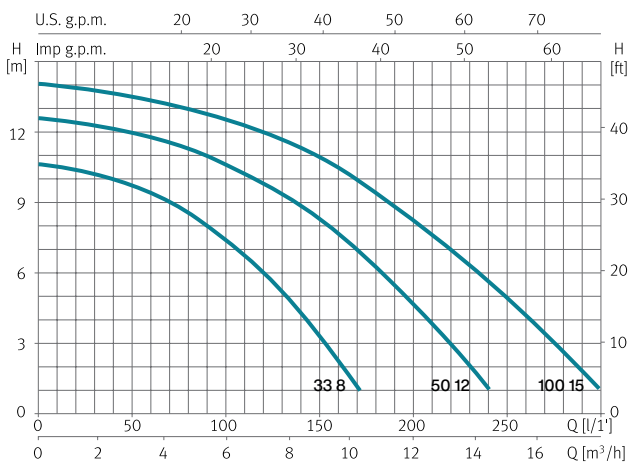
### Range of use

Maximum water temperature 40 °C.  
 Compatible with salt water up to 7 g/l.

## Silen I

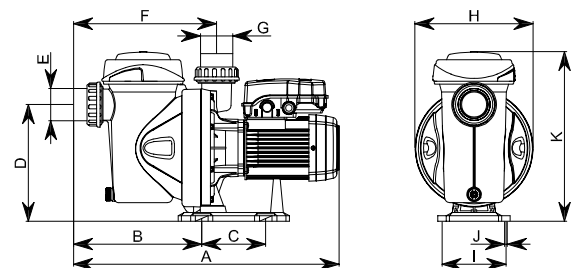
### Performance curves

(2900 rpm)



### Dimensions and weight

Model	A	B	C	D	E/G	F	H	I	J	K	Kg
Silen I 33	439	192	115	210	50	221	212	108	Ø9	304	8.9
Silen I 50	439	192	115	210	50	221	212	108	Ø9	304	10.2
Silen I 100	439	192	115	210	50	221	212	108	Ø9	304	10.9



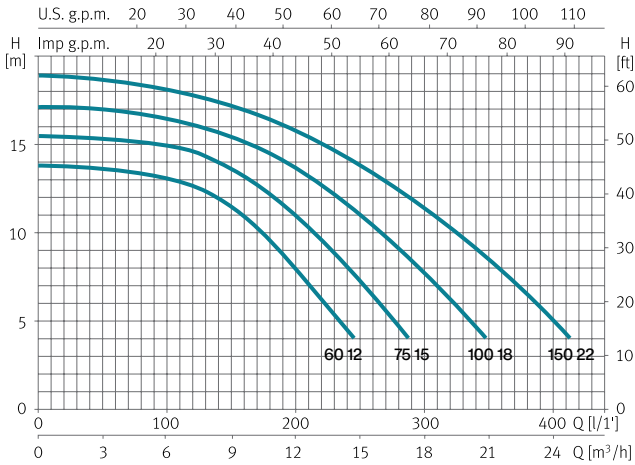
### Specifications table

Model	I [A]	P1 [kW]	P2		c [µF]	l/min	25	50	75	100	150	200	250	290	Code
	1~ 230V	1~	[kW]	[HP]			m³/h	1.5	3.0	4.5	6.0	9.0	12	15	
Silen I 33 8	2	0.45	0.25	0.33	12	mwc	10.2	9.7	8.6	7.2	3.2	-	-	-	203144
Silen I 50 12	2.8	0.65	0.37	0.5	12		12.3	11.9	11.3	10.5	8.1	4.6	-	-	203145
Silen I 100 15	3.8	0.85	0.75	1	12		13.8	13.3	13	12.5	10.8	8.1	4.8	1.8	203146

# Silen S

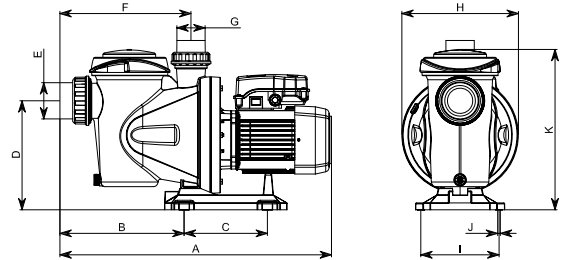
## Performance curves

(2900 rpm)



## Dimensions and weight

Model	A	B	C	D	E	F	G	H	I	J	K	Kg
Silen S 60	555	257	164	225	63	267	50	238	159	Ø9	347	8.9
Silen S 75	555	257	164	225	63	267	50	238	159	Ø9	347	10.2
Silen S 100	555	257	164	225	63	267	50	238	159	Ø9	347	10.9
Silen S 150	577	257	164	225	63	267	50	238	159	Ø9	347	13.5



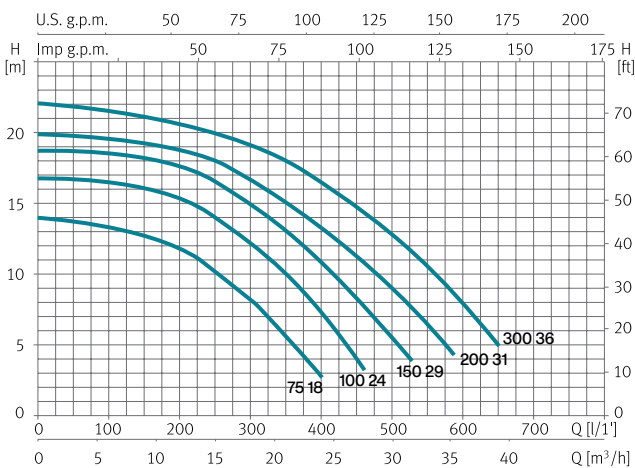
## Specifications table

Model	I [A]			P1 [kW]		P2		c [µF]	l/min									Code	
	1~ 230V	3~ 230V	3~ 400V	1~	3~	[kW]	[HP]			40	80	120	160	215	265	325	400	1-230V	3-230V/400V
Silen S 60 12	3.7	2.4	1.4	0.8	0.8	0.44	0.6	16	40	80	120	160	215	265	325	400	203147	203151	
Silen S 75 15	5.5	3.3	1.9	1.2	1	0.55	0.75	16	4.8	9.6	14.5	19.5	24	-	-	-	203148	203152	
Silen S 100 18	6	3.8	2.2	1.4	1.2	0.75	1	16	7.2	12.9	16.5	19.5	24	-	-	-	203149	203153	
Silen S 150 22	7.1	4.8	2.8	1.6	1.6	1.1	1.5	30	2.4	4.8	7.2	9.6	12.9	15.9	19.5	24	203150	203154	

# Silen S2

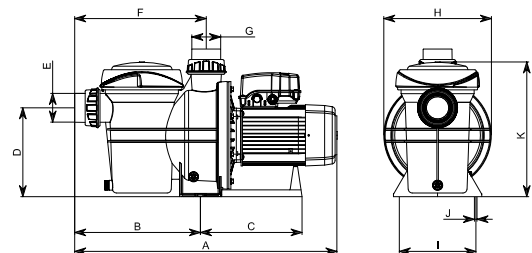
## Performance curves

(2900 rpm)



## Dimensions and weight

Model	A	B	C	D	E/G	F	H	I	J	K	Kg
Silen S2 75	624	272	219	222	63	285	268	188	Ø13	327	14
Silen S2 100	624	272	219	222	63	285	268	188	Ø13	327	15
Silen S2 150	624	272	219	222	63	285	268	188	Ø13	327	18
Silen S2 200	624	272	219	222	63	285	268	188	Ø13	327	21
Silen S2 300	624	272	219	222	63	285	268	188	Ø13	327	23



## Specifications table

Model	I [A]			P1 [kW]		P2		c [µF]	l/min									Code	
	1~ 230V	3~ 230V	3~ 400V	1~	3~	[kW]	[HP]			100	150	250	350	450	500	550	650	1-230V	3-230V/400V
Silen S2 75 18	4.5	3.8	2.2	1	1	0.55	0.75	25	6.0	9.0	15	21	27	30	33	39	203155	203160	
Silen S2 100 24	7	4.8	2.8	1.5	1.6	0.9	1.2	25	13.2	12.8	10	5.5	-	-	-	-	203156	203161	
Silen S2 150 29	8.5	5.3	3.1	1.9	1.9	1.1	1.5	25	16.5	16	14.2	10	4	-	-	-	203157	203162	
Silen S2 200 31	9.7	6.5	3.8	2.2	2.2	1.5	2	30	18.5	18.2	16.5	13	8.2	5.5	-	-	203158	203163	
Silen S2 300 36	12.5	8.6	5	2.8	2.6	2.2	3	60	19.5	19.1	18	15	11.1	9	6.3	-	203159	203164	

# Noxsalt

Single-stage centrifugal pump for seawater recirculation and filtration

Seawater recirculation and filtration for small and medium-sized swimming pools. Quiet. Self-priming up to 4 m.

## Noxsalt

Easy maintenance



With cable and plug



Flow rate up to 22 m<sup>3</sup>/h



Designed for seawater

## Noxsalt plus

Energy savings of up to 70%



Longer service life



Ultra-quiet



Easy to use



Better filtration and water quality



Designed for seawater

# Noxsalt



### Materials

Pump body, impeller, diffuser, suction and discharge in technopolymer.  
 Pump shaft in DUPLEX.  
 Special mechanical seal for seawater.  
 Aluminium motor shield coated with cataphoresis treatment.  
 Screws in AISI 316.  
 Seals in NBR.

### Motor

2-pole asynchronous.  
 IPX5 protection.  
 Class F insulation.  
 Built-in thermal protection.  
 Continuous operation.

### Equipment

2 m cable with type F plug.  
 50 mm & 1 1/2" unions included.

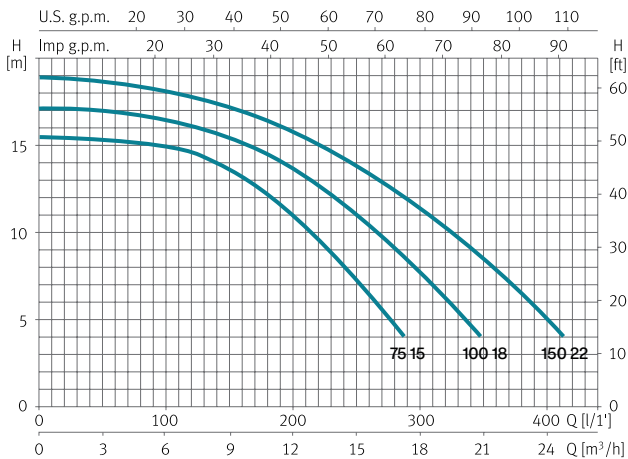
### Range of use

Maximum water temperature 40 °C.  
 Compatible with seawater.

## Noxsalt

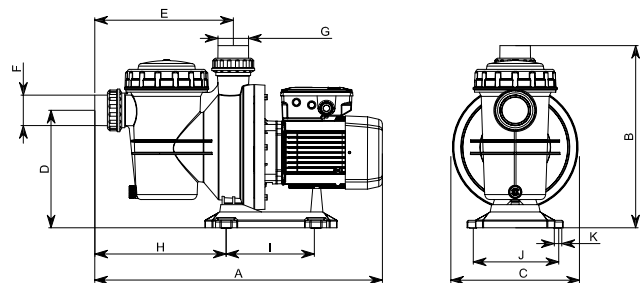
### Performance curves

(2900 rpm)



### Dimensions and weight

Model	A	B	C	D	E	F/G	H	I	J	K	Kg
Noxsalt 75	495	211	170	225	225	50	238	159	319	Ø9	10.2
Noxsalt 100	495	211	170	225	225	50	238	159	319	Ø9	10.9
Noxsalt 150	495	211	170	225	225	50	238	159	319	Ø9	13.5



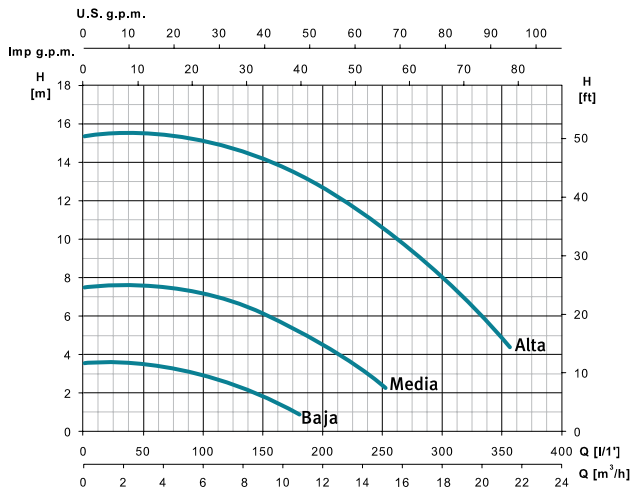
### Specifications table

Model	I [A]	P1 [kW]	P2		c [µF]	l/min m³/h	40	80	120	160	215	265	325	400	Code
	1~230V	1~	[kW]	[HP]			2.4	4.8	7.2	9.6	12.9	15.9	19.5	24	
Noxsalt 75 15	5.5	1.2	0.55	0.75	16	mwc	15.2	15	14.5	13.1	9.9	6	-	-	217166
Noxsalt 100 18	6	1.4	0.75	1	16		16.9	16.5	16	15	12.9	10	5.9	-	217167
Noxsalt 150 22	7.1	1.6	1.1	1.5	30		18.6	18.2	17.7	16.9	15.1	13	10	5.1	217172

# Noxsalt plus

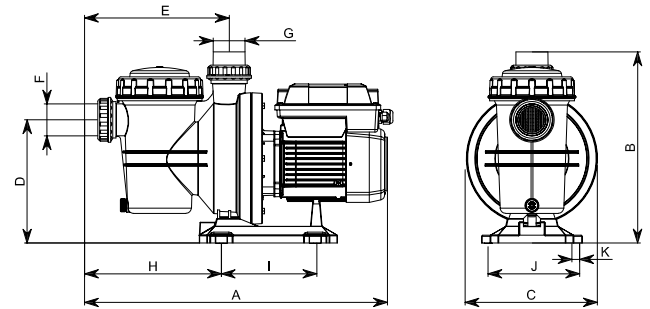
## Performance curves

(2900 rpm)



## Dimensions and weight

Model	A	B	C	D	E	F/G	H	I	J	K	Kg
Noxsalt plus	549	346	238	223	262	50	170	Ø9	159	248	12,8



## Specifications table

Model	Speed	I	P1	P2		l/min	50	100	150	200	250	Code
		[A]	[kW]	[kW]	[HP]							
Noxsalt plus	High	7.6	1.1	0.75	1	mwc	15.5	15	14	13	11	217173
	Medium	3	0.4				7.5	7	6	4.5	-	
	Low	1.2	0.16				3.5	3	2	-	-	

# Silenplus

Single-stage centrifugal pump with variable speed for water recirculation and filtration

Water recirculation and filtration for medium-sized swimming pools.  
Silent. Self-priming up to 4 m.

## Silenplus 1

- Energy savings of up to 70%
- Longer service life



- Better filtration and water quality
- Better backwashing

## Silenplus 2

- Energy savings of up to 70%
- Longer service life



- Better filtration and water quality
- Better backwashing

## Silenplus 3

- Energy savings of up to 70%
- Longer service life



- Better filtration and water quality
- Better backwashing

# Silenplus



### Materials

Pump body, impeller, diffuser, suction and discharge in technopolymer.  
 Pump shaft in AISI 431.  
 Mechanical seal.  
 Aluminium motor casing.  
 NBR/EPDM seals.

### Motor

2-pole asynchronous.  
 IPX5 protection.  
 Class F insulation.  
 Built-in thermal protection.  
 Continuous operation.

### Equipment

Control System included.  
 2 m cable with type F plug.  
 Unions included.  
**Silenplus 1:** Suction 63 mm & 2", with 50 mm & 1 1/2" reducer included.  
 Discharge 50 mm.  
**Silenplus 2 and 3:** 63 mm & 2".

### Operation

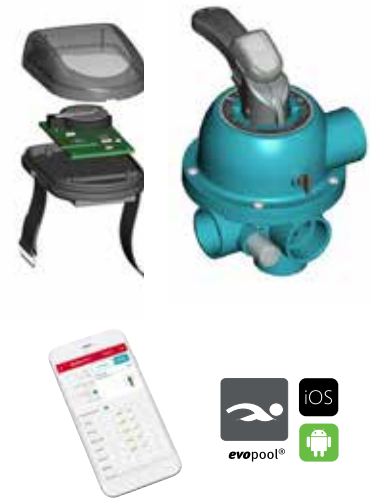
Variable speed to adapt to the pool's operating cycles.

### Range of use

Maximum water temperature 40 °C.  
 Compatible with salt water up to 7 g/l.

### Control System

Device that transmits the position of the valve to the pump to activate the working cycle according to the position of the valve.



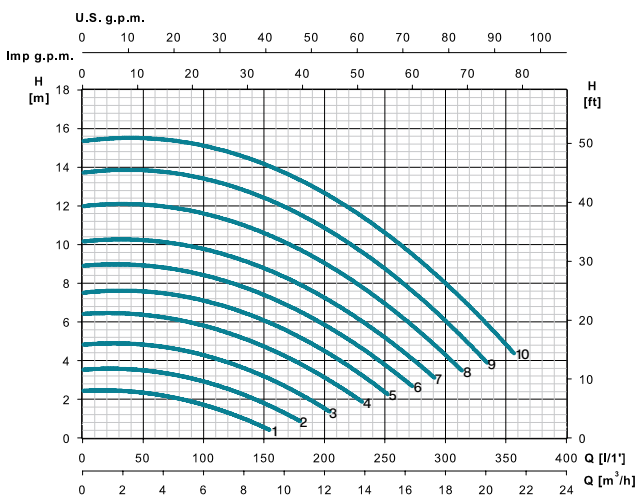
Download the **ESPA Evopool App** for a better experience and management.

## Silenplus 1

### Performance curves

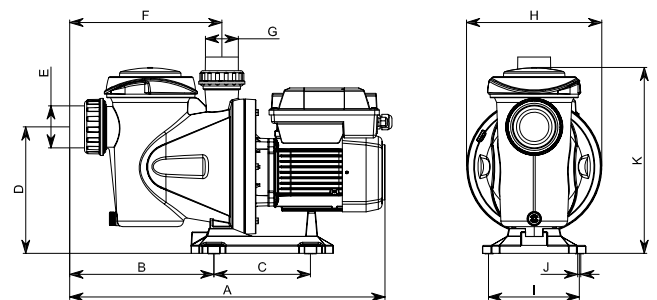
(2900 rpm)

Speed	1	2	3	4	5	6	7	8	9	10
Consumption [A]	1	1.3	1.7	2.5	3.1	3.7	4.5	5.5	6.5	8



### Dimensions and weight

Model	A	B	C	D	E	F	G	H	I	J	K	Kg
Silenplus 1	555	257	164	225	63	267	50	238	159	Ø9	319	11.8



Accessories	Code
PCBA home automation circuit	214755

### Specifications table

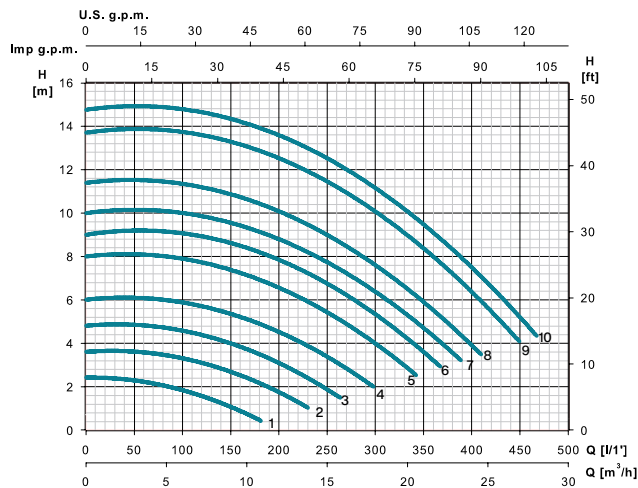
Model	Speed	I [A]	P1 [kW]	P2		l/min	50	100	150	200	250	Code
		1~230V	1~	[kW]	[HP]							
Silenplus 1	Maximum	8	1.1	0.75	1	mwc	17	16.5	14.5	13.8	11	199398
	Minimum	1	0.1									

# Silenplus 2

## Performance curves

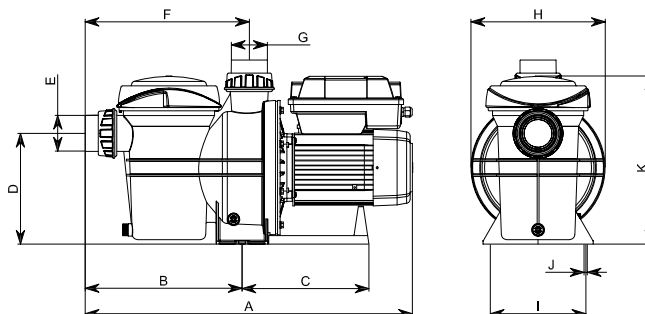
(2900 rpm)

Speed	1	2	3	4	5	6	7	8	9	10
Consumption [A]	1,2	1,8	2,4	3,2	4,3	5	6,1	6,8	9	10



## Dimensions and weight

Model	A	B	C	D	E/G	F	H	I	J	K	Kg
Silenplus 2	624	272	253	222	63	285	268	188	Ø13	327	21,9



Accessories	Code
PCBA home automation circuit	214755

## Specifications table

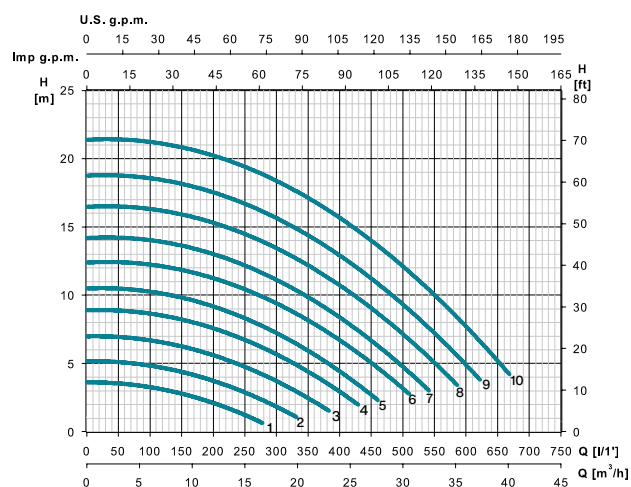
Model	Speed	I [A]	P1 [kW]	P2		l/min	100	200	250	300	400	Code
		1~230V	1~	[kW]	[HP]							
Silenplus 2	Maximum	10	2,2	1,5	2	m³/h	6	12	15	18	24	1-230V
	Minimum	1,2	0,17	-	-	mwc	15	13,5	12,5	11,5	7,5	199399

# Silenplus 3

## Performance curves

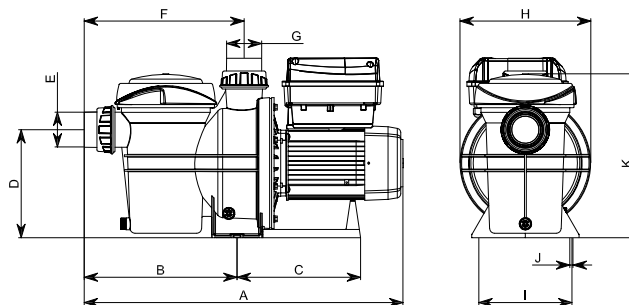
(2900 rpm)

Speed	1	2	3	4	5	6	7	8	9	10
Consumption [A]	1,6	2,3	3,4	4,6	5,7	7,3	8,6	10,5	12,3	14,8



## Dimensions and weight

Model	A	B	C	D	E/G	F	H	I	J	K	Kg
Silenplus 3	624	272	253	222	63	285	268	188	Ø13	368	23,9



Accessories	Code
PCBA home automation circuit	214755

## Specifications table

Model	Speed	I [A]	P1 [kW]	P2		l/min	100	200	300	400	600	Code
		1~230V	1~	[kW]	[HP]							
Silenplus 3	Maximum	14,8	2,6	2,2	3	m³/h	6	12	18	24	36	1-230V
	Minimum	1,6	0,2	-	-	mwc	21,5	20,5	19	16,5	8	200519

# Repospool



Single-stage centrifugal pump for water recirculation and filtration, designed for the replacement market.

Pump for small and medium-sized swimming pools, specially designed for the replacement market. Adjustable dimensions thanks to telescopic connections and an adjustable base, allowing it to be adapted to different existing installations with pumps from other brands.

## Repospool



-  Silent
-  Flow rate up to 22 m<sup>3</sup>/h
-  Adjustable height and position
-  Easy replacement
-  Patented

## Repospool plus



-  Flow rate up to 22 m<sup>3</sup>/h
-  Energy saving
-  Adjustable height and position
-  Easy replacement
-  Speed variable

# Repospool

### Materials

Pump body and cover, impeller and diffuser in polymer.  
 Pump shaft in AISI 431.  
 Mechanical seal metal components in AISI 316.  
 Aluminium motor casing.  
 NBR/EPDM seals.

### Equipment

Connectors to Ø63 pipe.  
 Adapters to Ø50 pipe.  
 Lifting feet, from 10 to 80 mm.

**Repospool:** Without cable.

**Repospool plus:** 2 m cable with type F plug.

### Motor

2-pole asynchronous.  
 IPX5 protection.  
 Class F insulation.

**Repospool:** Single-phase version with built-in thermal protection.

**Repospool plus:** Motor electronically protected against overloads. Continuous operation (S1).

### Range of use

Maximum water temperature 40 °C.  
 Compatible with salt water up to 7 g/l.

### Operation

**Repospool plus:** Variable speed to adapt to the pool's operating cycles.

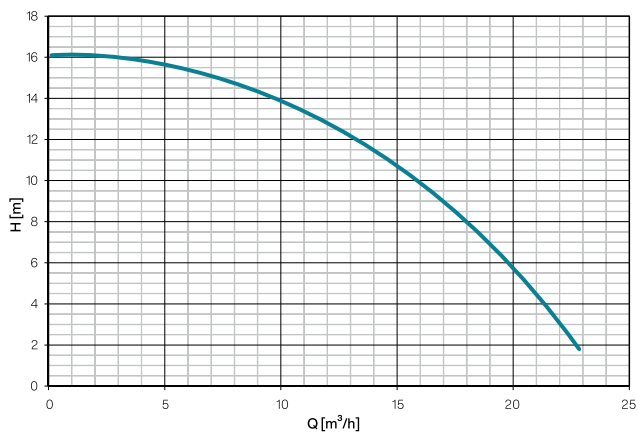


See the QR code for more information.

## Repospool

### Performance curves

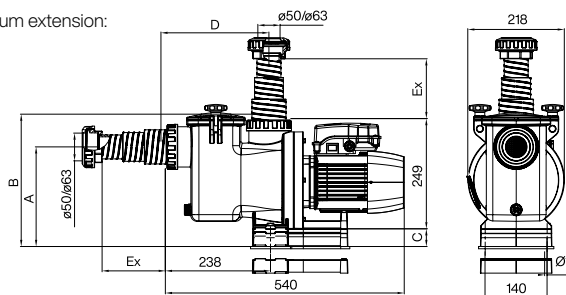
(2900 rpm)



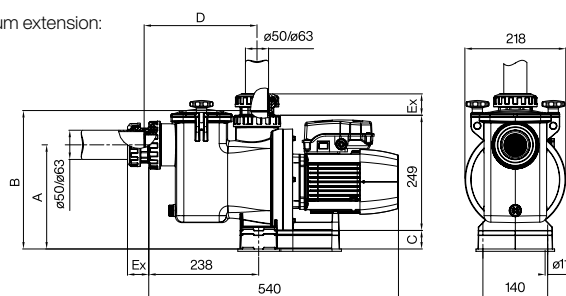
### Dimensions and weight

Model	A		B		C		D		Ex		Kg
	Min.	Max.	Min.	Max.	Min.	Max.	Min.	Max.	Min.	Max.	
Repospool	185	268	258	474	0	85	243	374	45	177	115

Maximum extension:



Minimum extension:



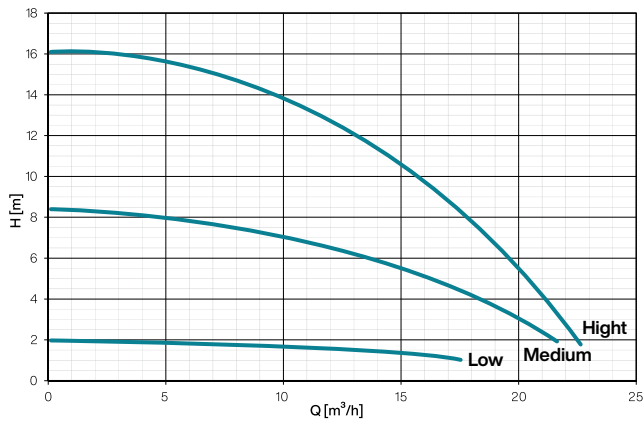
### Specifications table

Model	I [A]			P1 [kW]		P2		c [µF]	Code	
	1-230V	3-230V	3-400V	1~	3~	[kW]	[HP]		1-230V	3-230V/400V
Repospool	6	3.8	2.2	1.4	1.2	0.75	1	16	217814	218172

# Repospool plus

## Performance curves

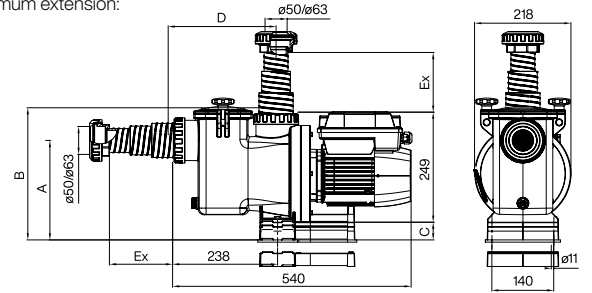
(2900 rpm)



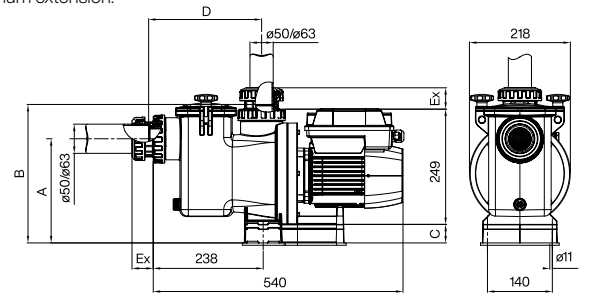
## Dimensions and weight

Model	A		B		C		D		Ex		Kg
	Min.	Max.	Min.	Max.	Min.	Max.	Min.	Max.	Min.	Max.	
Repospool plus	185	268	258	474	0	85	243	374	45	177	12,8

Maximum extension:



Minimum extension:



## Specifications table

Model	Speed	I [A]	P1 [kW]	P2		Code
		1- 230V	1-	[kW]	[HP]	1-230V
Repospool plus	High	7,6	1,1	0,75	1	218171
	Medium	3	0,4			
	Low	1,2	0,16			

# Comerspool



Single-stage centrifugal pump for recirculating thermal waters, water parks, aquariums and large swimming pools.

For recirculating thermal waters, aquariums and Olympic swimming pools. Corrosion-resistant plastic body, suitable for salt water (7 g/l). Quiet and efficient, ideal for continuous use.



### Materials

Pump body, pre-filter body, pump foot, impeller and diffuser in polymer.  
Pump shaft and mechanical seal in AISI 304.  
Aluminium motor flange.  
NBR seals.

### Equipment

No cable.

### Range of use

Maximum water temperature 75 °C.  
Compatible with salt water up to 7 g/l.

### Motor

2-pole asynchronous.  
IPX4 protection.  
Class F insulation.  
Continuous operation (S1).

Scan the QR code for more information



Flow rate up to 200 m<sup>3</sup>/h



Motors 5,5 -15 hp



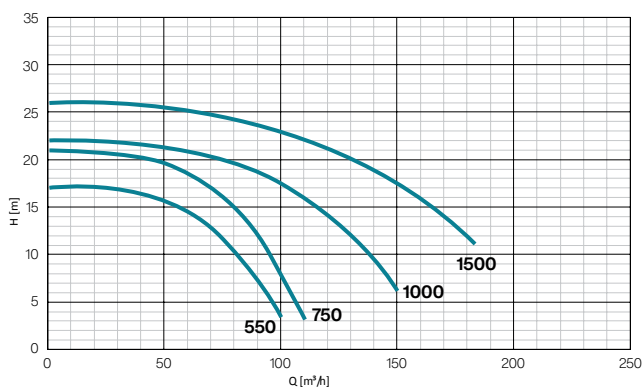
Prevents oxidation



Easy maintenance

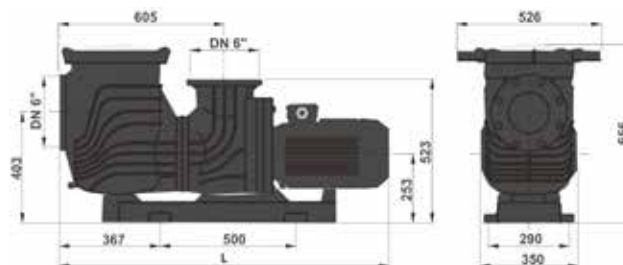
### Performance curves

(2900 rpm)



### Dimensions and weight

Model	L	Kg
Comerspool 550	1155	88.5
Comerspool 750	1155	91.5
Comerspool 1000	1155	95
Comerspool 1500	1210	129



### Specifications table

Model	I [A]	P1 [kW]	P2		Flow rate [m³/h]	Pres. [m]										Code	
	400V	3~	[kW]	[HP]		0	20	40	60	80	100	120	140	160	180		3~230V/400V
Comerspool 550	8.5	5.1	4	5.5	Pres. [m]	17	16.9	16.2	13.9	9.2							222825
Comerspool 750	10.7	5.9	5.5	7.5		21	20.7	20.2	18.5	14.7	7.7						222642
Comerspool 1000	14.8	8.9	7.5	10		22	21.8	21.6	20.9	19.7	17.5	14	9.2				222802
Comerspool 1500	20.5	11.9	11	15		26	25.9	25.6	25.1	24.2	22.8	20.9	18.3	15.1	11		222813

# FKB

## Sand filter for water filtration

Filter with valve made of polyethylene resistant to chemical and weather agents. Blow moulded in single piece with base built into the filter. With top mount 6-way valve.

### FKB 300

Residential swimming pool



- Highly reliable
- Easy maintenance

### FKB 350

Residential swimming pool



- Highly reliable
- Easy maintenance

### FKB 450

Residential swimming pool



- Highly reliable
- Easy maintenance

# FKB

## Features

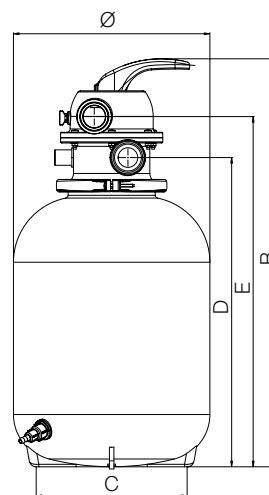
- Maximum working pressure 2,5 bar.
- Connection of 1½".
- Fitted with pressure gauge and air valve.
- Double drainage in the lower section of the filter, ½" to totally empty the filter and ¼" to empty water without loss of sand.
- Suitable for salt water up to 7 g/l.

## Dimensions and weight

Model	A	B	C	D	E	Ø	Kg
FKB 300 6TP	-	735	224	551	611	300	10
FKB 350 6TP	-	735	258	551	611	350	12
FKB 450 6TP	-	832	330	648	708	450	16



Accessories	Code
Kit valve 6LT 1½"	149974



## Specifications table

Model	Filter			Code
	Ø Filter [mm]	Flow [m³/h]	Sand load [Kg]	
FKB 300 6TP	300	4	25	212294
FKB 350 6TP	350	6	35	160863
FKB 450 6TP	450	8	75	134538

# FKP

## Sand filter for water filtration

Filter with valve made of polypropylene resistant to chemical and atmospheric agents. Injected with the two halves joined by thermal welding. With 6-way side valve.

### Features

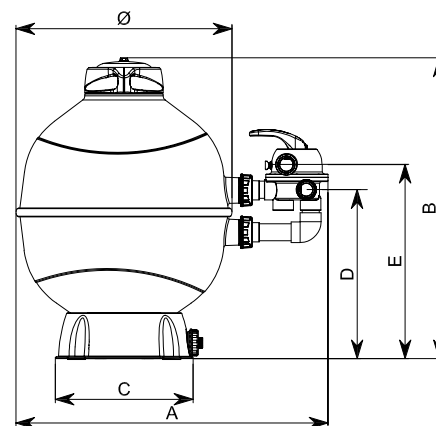
- Maximum working pressure 3.5 bar.
- 1½' connection for models 520 and 620 and 2' for model 760.
- Equipped with pressure gauge and air vent.
- Double drain at the bottom of the filter, 1½' for complete emptying of the filter and ½' for emptying the water without losing sand.
- Compatible with salt water up to 7 g/l.

- Highly reliable
- Robust
- Residential swimming pools



### Dimensions and weight

Model	A	B	C	D	E	Ø	Kg
FKP 520 6LT	844	886	422	460	519	520	217
FKP 620 6LT	943	957	422	501	560	620	237
FKP 760 6LT	1102	1114	422	630	715	767	34



Accessories	Code
Kit valve 6LT 1½"	149976
Kit valve 6LT 2"	149977

### Specifications table

Model	Filter			Code
	Ø Filter [mm]	Flow [m³/h]	Sand load [Kg]	
FKP 520 6LT	520	10	85	130906
FKP 620 6LT	620	14	145	130907
FKP 760 6LT	760	21	300	130908

# Multipool N

## Multi-stage centrifugal pump for pool cleaners

For operating pool cleaners that require inlet pressure. Designed for chlorinated, saltwater and ozonated water.



### Materials

Pump body, diffusers, suction and discharge in technopolymer.  
Impellers in AISI 316.  
Pump shaft in AISI 431.  
Mechanical seal.  
Aluminium motor housing.  
NBR/EPDM seals.

### Motor

2-pole asynchronous.  
IPX5 protection.  
Class F insulation.  
Built-in thermal protection.  
Continuous operation.

### Range of use

Maximum water temperature 40 °C.  
Compatible with salt water up to 7 g/l.

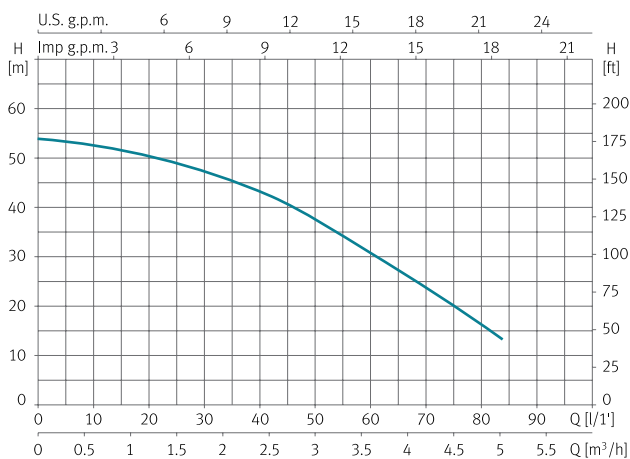
### Equipment

No cable.

## Multipool N

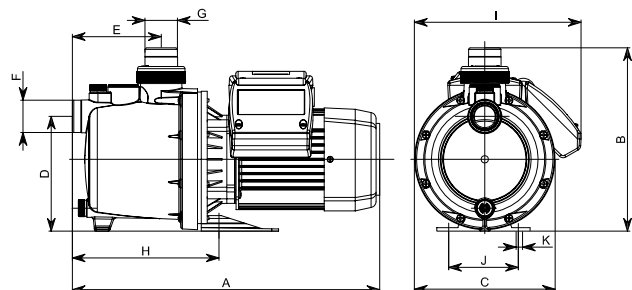
### Performance curves

(2900 rpm)



### Dimensions and weight

Model	A	B	C	D	E	F/G	H	I	J	K	Kg
Multipool N	415	248	190	155	120	1"	198	225	94	Ø9	10.5



### Specifications table

Model	I [A]	P1 [kW]	P2		c [µF]	l/min	10	30	40	50	60	65	70	80	Code
	1-230V	1-	[kW]	[HP]			m³/h	0.6	1.8	2.4	3.0	3.6	3.9	4.3	
Multipool N	6	1.3	0.75	1	16	mwc	53	47	43	37	32	28	24	17	202038

# Nadorself

## Single-stage centrifugal pump for counter currents

Generates a strong water current and transforms the pool into a leisure and sports area. Self-priming up to 4 metres.



Counter-current swimming  
Sea water

### Materials

Pump body, impeller, diffuser, suction and discharge in technopolymer.  
Pump shaft in AISI 431.  
Mechanical seal.  
Aluminium motor casing.  
NBR/EPDM seals.

### Motor

2-pole asynchronous.  
IPX5 protection.  
Class F insulation.  
Single-phase version with built-in thermal protection.  
Continuous operation.

### Equipment

No cable.  
Unions not included.

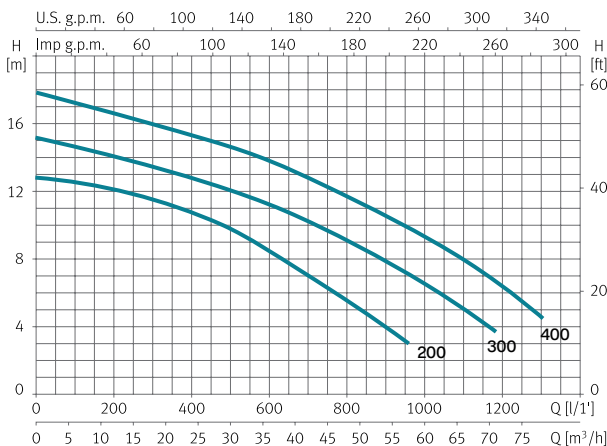
### Range of use

Maximum water temperature 40 °C.  
Compatible with salt water up to 7 g/l.

## Nadorself

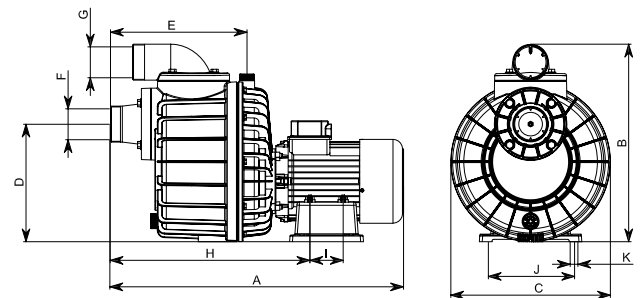
### Performance curves

(2900 rpm)



### Dimensions and weight

Model	A	B	C	D	E	F/G	H	I	J	K	Kg
Nadorself 200	615	416	335	249	291	2 1/2"	419	70	595	Ø9	25.1/23.1
Nadorself 300	615	416	335	249	291	2 1/2"	419	70	595	Ø9	26.1/25.8
Nadorself 400	615	416	335	249	291	2 1/2"	419	70	595	Ø9	28



### Specifications table

Model	I [A]			P1 [kW]		P2		c [µF]	l/min	100	200	400	600	800	1000	1200	1300	Code	
	1~ 230V	3~ 230V	3~ 400V	1~	3~	[kW]	[HP]											1-230V	3-230V/400V
Nadorself 300	13.4	8.6	5	3	3	2.2	3	60	mwc	6.0	12	24	36	48	60	72	78	203166	203168
Nadorself 400	-	11.8	6.8	-	3.4	3	4	-		14.6	14	12.8	11.3	9	6.5	-	-	-	-

# Tiper

## Single-stage centrifugal pump for water recirculation

Water recirculation in swimming pools, spas and hydromassage equipment.

### Materials

Pump body, impeller, diffuser, suction and discharge in technopolymer.  
 Pump shaft in AISI 431.  
 Mechanical seal.  
 Motor casing in aluminium.  
 Seals in NBR/EPDM.

### Motor

2-pole asynchronous.  
 IPX5 protection.  
 Class F insulation.  
 Built-in thermal protection.  
 Continuous operation.

### Range of use

Maximum water temperature 50 °C.  
 Compatible with salt water up to 7 g/l.

### Equipment

No cable.

**Tiper:** unions included, suction 50 mm and discharge 32 mm x 2.

**Tiper 2:** unions included, suction 50 mm and discharge 40 mm x 2.



Tiper

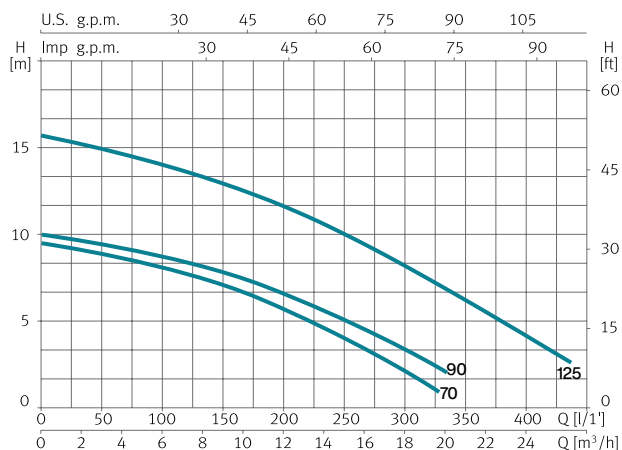


Tiper 2

## Tiper

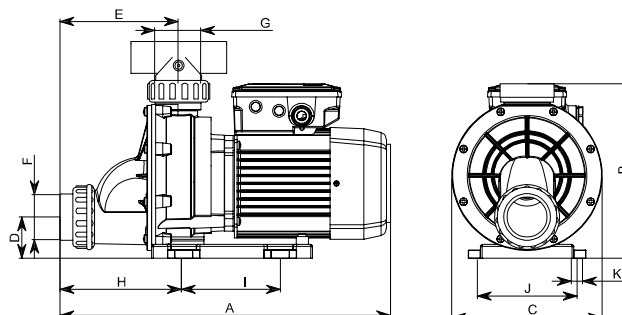
### Performance curves

(2900 rpm)



### Dimensions and weight

Model	A	B	C	D	E	F	G	H	I	J	K	Kg
Tiper 70	312	202	166	47	88	50	32	160	-	102	Ø8	6.2
Tiper 90	312	202	166	47	88	50	32	160	-	101	Ø8	7.0
Tiper 2 125	378	265	187	50	120	50	40	120	130	124	Ø8	10.5



### Specifications table

Model	I [A]	P1 [kW]	P2		c [µF]	l/min	50	100	150	200	250	300	350	400	Code
	1~230V	1~	[kW]	[HP]											
Tiper 70	3	0.7	0.37	0.5	12	mvc	8.8	7.9	6.7	5.4	3.9	2.3	-	-	208183
Tiper 90	3.8	0.9	0.75	1	12		9.3	8.5	7.6	6.4	5.1	3.6	-	-	208184
Tiper 2 125	5.6	15	0.9	12	16		15	4	12.5	11.5	10	8	6	4	137548

# Wiper

Single-stage centrifugal pump for water recirculation



Water recirculation in swimming pools, spas and hydromassage equipment.

### Materials

Pump body, impeller, diffuser, suction and discharge in technopolymer.  
 Pump shaft in AISI 431.  
 Mechanical seal.  
 Aluminium motor casing.  
 NBR/EPDM seals.

### Motor

2-pole asynchronous.  
 IPX5 protection.  
 Class F insulation.  
 Built-in thermal protection.  
 Continuous operation.

### Range of use

Maximum water temperature 50 °C.  
 Compatible with salt water up to 7 g/l.

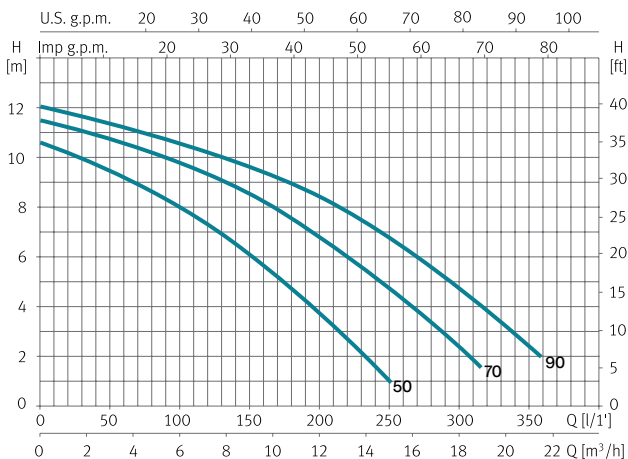
### Equipment

No cable.  
 50 mm & 1 1/2" unions included.

## Wiper

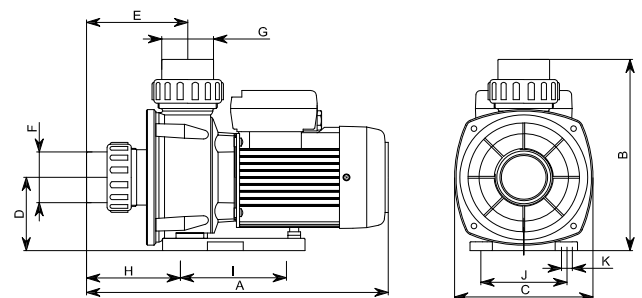
### Performance curves

(2900 rpm)



### Dimensions and weight

Model	A	B	C	D	E	F/G	H	I	J	K	Kg
Wiper 50	296	177	155	85	72	50	145	74	102	Ø9	5.7
Wiper 70	296	177	155	85	72	50	145	74	102	Ø9	6
Wiper 90	296	177	155	85	72	50	145	74	102	Ø9	6.9



### Specifications table

Model	I [A]	P1 [kW]	P2		c [µF]	l/min	25	50	100	150	200	250	300	350	Code
	1~230V	1~	[kW]	[HP]			m³/h	1.5	3.0	6.0	9.0	12	15	18	
Wiper 50	2.3	0.5	0.24	0.33	12	mwc	10	9.4	7.9	6	3.6	1	-	-	215079
Wiper 70	2.9	0.65	0.37	0.5	12		11	10.6	9.7	8.5	6.6	4.5	2.2	-	215080
Wiper 90	3.7	0.85	0.75	1	12		11.7	11.3	10.5	9.6	8.4	6.7	4.6	2.2	215081

# Wiper 3

Single-stage centrifugal pump for water recirculation



Water recirculation in swimming pools, spas and hydromassage equipment.

### Materials

Pump body, impeller, diffuser, suction and discharge in technopolymer.  
 Pump shaft in AISI 431.  
 Mechanical seal.  
 Aluminium motor casing.  
 NBR/EPDM seals.

### Motor

2-pole asynchronous.  
 IPX5 protection.  
 Class F insulation.  
 Single-phase version with built-in thermal protection.  
 Continuous operation.

### Equipment

No cable.  
 63 mm & 2" unions included.

### Range of use

Maximum water temperature 50 °C.  
 Compatible with salt water up to 7 g/l.

## Wiper 3

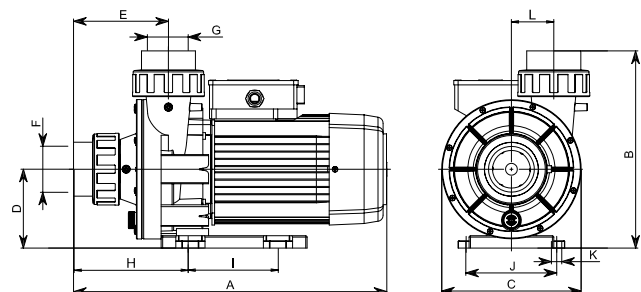
### Performance curves

(2900 rpm)



### Dimensions and weight

Model	A	B	C	D	E	F/G	H	I	J	K	L	Kg
Wiper 3 150	429	230	191	108	130	63	160	120	124	Ø9	29	14.3
Wiper 3 200	429	230	191	108	130	63	160	120	124	Ø9	29	17
Wiper 3 300	429	268	191	108	130	63	160	120	124	Ø9	29	18.8



### Specifications table

Model	I [A]			P1 [kW]		P2		c [µF]	l/min	50	100	200	300	400	500	600	900	Code		
	1~230V	3~230V	3~400V	1~	3~	[kW]	[HP]			m³/h	3.0	6.0	12	18	24	30	36	54	1-230V	3-230V/400V
Wiper 3 150	6.4	5	2.9	1.4	1.1	1.1	1.5	25	mwc	13.3	13	12.1	10.8	8.2	5	-	-	203173	203176	
Wiper 3 200	8.8	6.6	3.8	2	1.8	1.5	2	30		14.8	14.5	13.9	12.9	11.1	9.1	6.8	-	-	203174	203177
Wiper 3 300	11	7.1	4.1	2.5	2.4	2.2	3	60		14.8	14.5	14.1	13.5	12.8	11.9	10.7	4.7	203175	203178	

# Piscis

Single-stage centrifugal pump for saltwater recirculation



Clean water recirculation. Suitable for saltwater.

### Materials

Pump body, impeller, diffuser, suction and discharge in technopolymer.  
 Pump shaft in AISI 431.  
 Mechanical seal.  
 Aluminium motor casing.  
 NBR/EPDM seals.

### Motor

2-pole asynchronous.  
 IPX5 protection.  
 Class F insulation.  
 Built-in thermal protection.  
 Continuous operation.



Designed for seawater

### Range of use

Maximum water temperature 40 °C.



Hose connection included

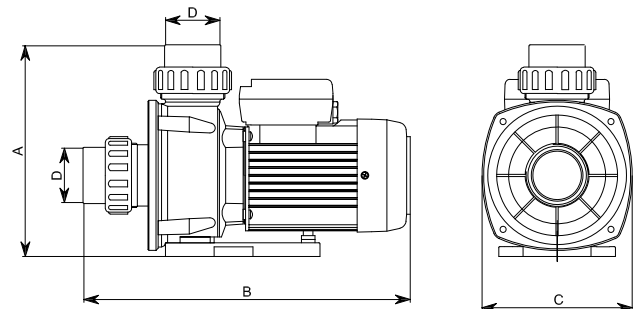
### Equipment

No cable.  
 50 mm & 1 1/2" unions included.  
 40 mm hose connection.

## Piscis

### Dimensions and weight

Model	A	B	C	Kg
Piscis 2	257	396	204	6
Piscis 3	219	337	155	7
Piscis 4	270	429	191	13



### Specifications table

Model	I [A]	P1 [kW]	P2		c [μF]	l/min	15	30	45	60	75	90	105	120	Code
	1~230V	1~	[kW]	[HP]			m³/h	0.9	1.8	2.7	3.6	4.5	5.4	6.3	
Piscis 2	1	0.28	0.15	0.2	6	mwc	9	8.5	8	7.5	6.5	5	3.5	1.5	97119

Model	I [A]	P1 [kW]	P2		c [μF]	l/min	25	50	100	150	200	250	300	Code
	1~230V	1~	[kW]	[HP]			m³/h	1.5	3.0	6.0	9.0	12	15	
Piscis 3	3.1	0.7	0.55	0.75	10	mwc	11	10.6	9.7	8.5	6.6	4.5	2.2	215143

Model	I [A]	P1 [kW]	P2		c [μF]	l/min	50	100	200	250	300	350	400	450	Code
	1~230V	1~	[kW]	[HP]			m³/h	3	6	12	15	18	21	24	
Piscis 4	6	1.4	1.1	1.5	25	mwc	14.5	14	13	12	11	10	8.5	7	97122

# The REPOSMAN Challenge





**ESPA** POOL

**CLUB**



## Multiple benefits with ESPA Pool Club!

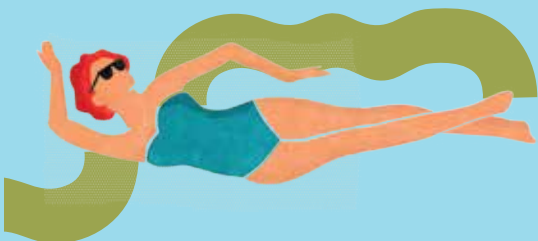


At Espas, we want to be more than just your supplier: we want to be your ally. That's why we created Espas Pool Club, a professional community designed to offer you more facilities, more

support and more opportunities in your day-to-day work as an installer, with exclusive benefits.

Everything is designed to make working with our equipment easier, faster and more efficient.

### We want to be your best partner!





[hello@espa.com](mailto:hello@espa.com)

[www.espa.com](http://www.espa.com)

 972 58 80 00

